

THIS DRAWING IS UNPUBLISHED. RELEASED FOR PUBLICATION

© COPYRIGHT - TE Connectivity Ltd.

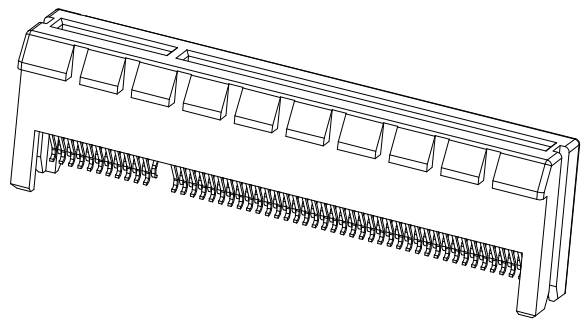
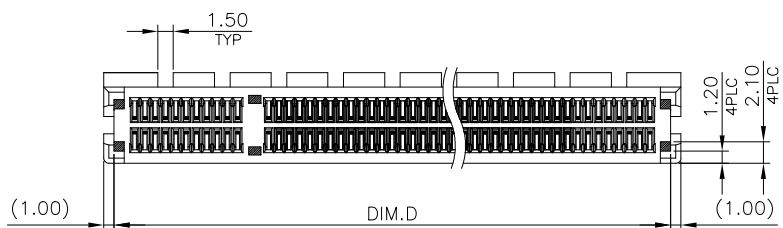
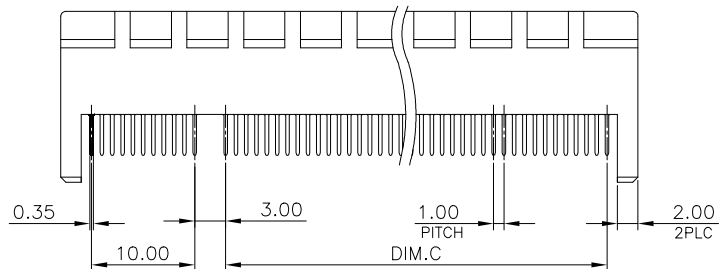
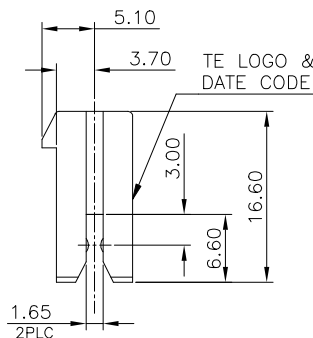
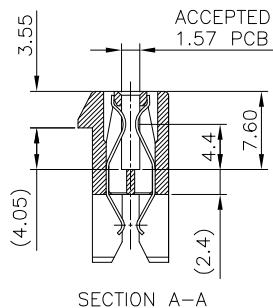
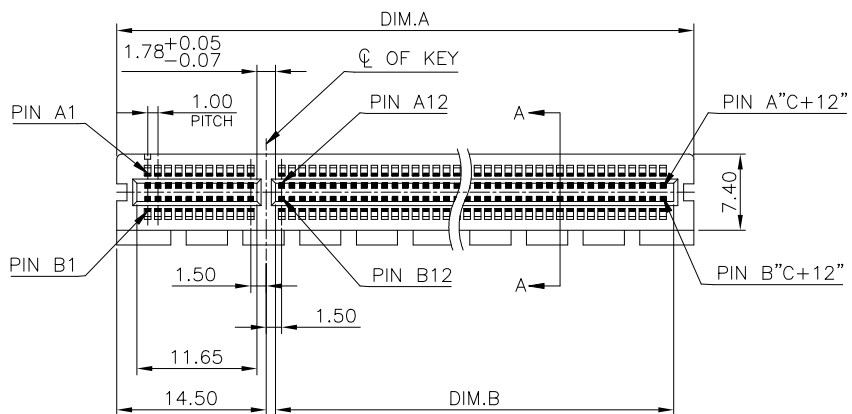
ALL RIGHTS RESERVED.

REVISIONS

P	LTR	DESCRIPTION	DATE	DWN	APVD
C		ECR-17-013893	10JAN2018	FL	HL

NOTE:

- MATERIAL:
HOUSING: NY9T UL 94V-0, COLOR: (SEE TABLE).
CAP: LCP UL 94V-0, COLOR: BLACK.
CONTACTS: PHOSPHOR BRONZE.
 - FINISH:
CONTACTS: (SEE TABLE) GOLD PLATED ON CONTACT AREA, 2.54um [100u"] MIN. MATTE-TIN ON SOLDER TAIL, WITH ENTIRE CONTACT UNDERPLATED 1.27um [50u"] MIN. NICKEL.
 - REFLOW SOLDER CAPABLE TO 260°C PER TEST SPEC. TEC-109-201, CONDITION B.
 - WEIGHT:
36 POS.: 2.9 GRAMS
64 POS.: 4.0 GRAMS
98 POS.: 5.4 GRAMS
164 POS.: 9.1 GRAMS
- ⚠ FOR REFLOW PROCESS, THE CAP MUST BE ATTACHED, IT WILL PROTECT HOUSING WARPAGE.



	0.762um[30u"] MIN.	X-1734857-5
	0.381um[15u"] MIN.	X-1734857-4
OBSOLETE	0.254um[10u"] MIN.	X-1734857-3
OBSOLETE	-0.127um[5u"] MIN.	X-1734857-2
	0.0254um[1u"] MIN.	X-1734857-1
	GOLD PLATING	PART NUMBER

COLOR	87	70	71.65	89	164	8-	-X
BLACK	54	37	38.65	56	98	7-	-X
	37	20	21.65	39	64	6-	-X
	23	6	7.65	25	36	5-	-X
WHITE (NATURE)	87	70	71.65	89	164	4-	-X
	54	37	38.65	56	98	3-	-X
	37	20	21.65	39	64	2-	-X
	D	C	B	A		POSITION NUMBER	PART NUMBER

THIS DRAWING IS A CONTROLLED DOCUMENT.

DIMENSIONS: mm



TOLERANCES UNLESS OTHERWISE SPECIFIED:

0 PLC	± -
1 PLC	± 0.3
2 PLC	± 0.2
3 PLC	± 0.15
4 PLC	± -
ANGLES	± 3'

MATERIAL SEE NOTE

FINISH SEE NOTE

DWN B. HSING 05JUN2009
 CHK S. CHIEN 05JUN2009
 APVD W. KODAMA 05JUN2009
 PRODUCT SPEC 108-57854
 APPLICATION SPEC

WEIGHT 0

CUSTOMER DRAWING



TE Connectivity Ltd.

NAME PCI EXPRESS CARD EDGE CONNECTOR STRADDLE MOUNT TYPE

SIZE A3 CAGE CODE 00779 DRAWING NO C=1734857 RESTRICTED TO

SCALE 1:1 SHEET 1 OF 4 REV C

4

3

2

1

THIS DRAWING IS UNPUBLISHED.

RELEASED FOR PUBLICATION

-. - .

© COPYRIGHT - TE Connectivity Ltd.

ALL RIGHTS RESERVED.

REVISIONS

P	LTR	DESCRIPTION	DATE	DWN	APVD
-	-	SEE SHEET 1	-	-	-



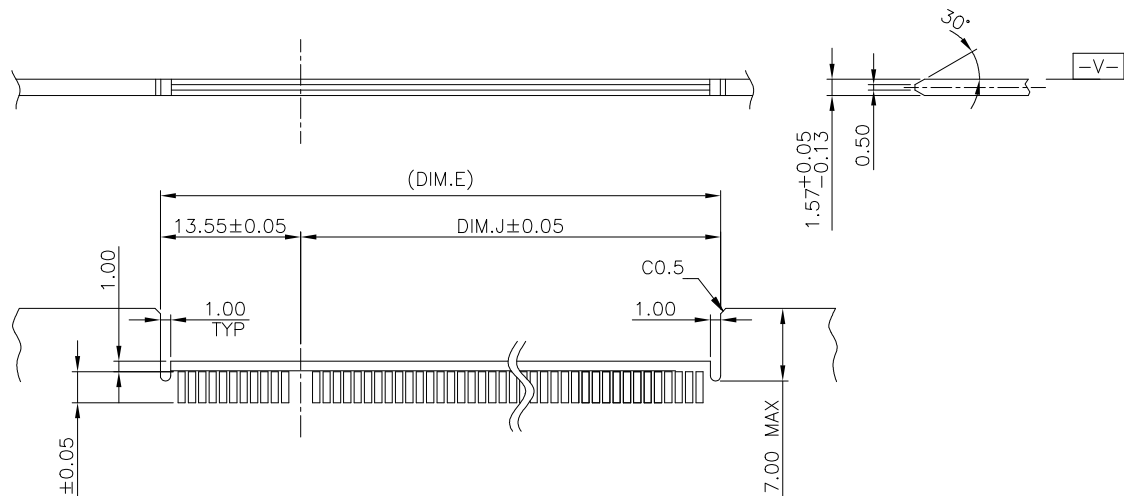
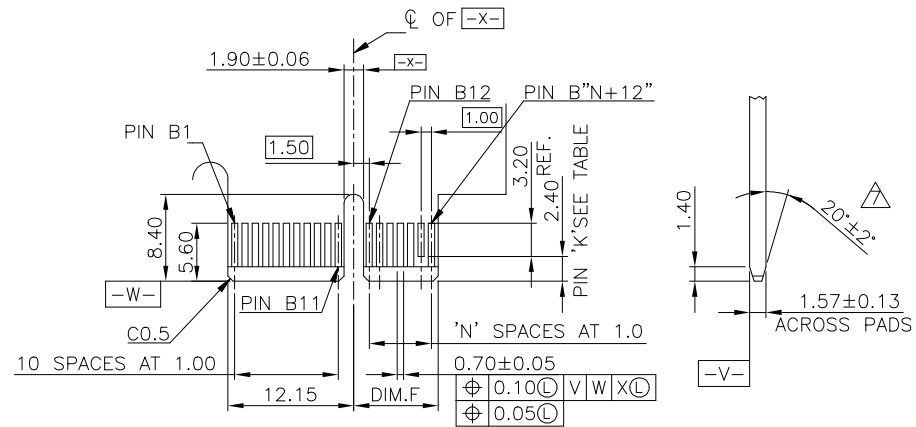
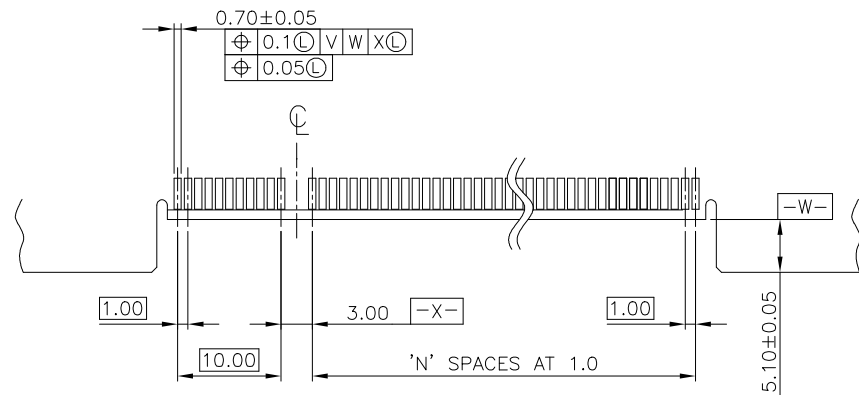
△ 5 ASSEMBLY WITH CAP CONDITION

36	20.4
64	34.4
98	51.4
164	84.4
POSITION	DIM F

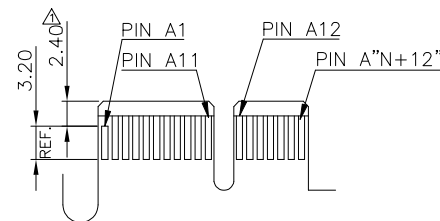
THIS DRAWING IS A CONTROLLED DOCUMENT.		DWN B. HSING 05JUN2009	TE Connectivity Ltd.	
		CHK S. CHIEN 05JUN2009		
DIMENSIONS: mm		APVD W. KODAMA 05JUN2009	NAME PCI EXPRESS CARD EDGE CONNECTOR STRADDLE MOUNT TYPE	
		PRODUCT SPEC 108-57854	-	
TOLERANCES UNLESS OTHERWISE SPECIFIED:		APPLICATION SPEC -	SIZE A3	CAGE CODE 00779
0 PLC ± -		WEIGHT 0	DRAWING NO C=1734857	RESTRICTED TO -
1 PLC ± 0.3		CUSTOMER DRAWING		
2 PLC ± 0.2		SCALE 1:1	SHEET 2 OF 4	REV C
3 PLC ± 0.15				
4 PLC ± -				
ANGLES ± 3'				
MATERIAL SEE NOTE	FINISH SEE NOTE			

THIS DRAWING IS UNPUBLISHED. RELEASED FOR PUBLICATION
 © COPYRIGHT - TE Connectivity Ltd. ALL RIGHTS RESERVED.

REVISIONS					
P	LTR	DESCRIPTION	DATE	DWN	APVD
-	-	SEE SHEET 1	-	-	-



I/O PANEL DIRECTION
 PRIMARY (COMPONENT) SIDE



SECONDARY (SOLDER) SIDE
 PCI-E ADD-IN CARD EDGE-FINGER DIMENSION.

RECOMMENDED PCB LAYOUT
 PCB TOLERANCE: ±0.05

164	70	87.1	73.55	72.15	B17,B31,B48,B81
98	37	54.1	40.55	39.15	B17,B31,B48
64	20	37.1	23.55	22.15	B17,B31
36	6	23.1	9.55	8.15	B17
POS.	N	DIM.E	DIM.J	DIM.F	"K"

6. NO TIE BAR PERMITTED FROM CARD EDGE TO LEADING EDGE OF PAD FOR PINS A1 AND "K"
 CHAMFER EDGE MUST BE FREE OF CUTTING BURRS

THIS DRAWING IS A CONTROLLED DOCUMENT.		DWN B. HSING 05JUN2009	TE Connectivity Ltd.		
		CHK S. CHIEN 05JUN2009			
		APVD W. KODAMA 05JUN2009			
		NAME			
DIMENSIONS: mm		PRODUCT SPEC 108-57854	PCI EXPRESS CARD EDGE CONNECTOR STRADDLE MOUNT TYPE		
TOLERANCES UNLESS OTHERWISE SPECIFIED: 0 PLC ± - 1 PLC ± - 2 PLC ± - 3 PLC ± - 4 PLC ± - ANGLES ± -		APPLICATION SPEC	-		
MATERIAL SEE NOTE		WEIGHT 0	SIZE A3	CAGE CODE 00779	DRAWING NO C=1734857
		CUSTOMER DRAWING	SCALE 1:1	SHEET 3 OF 4	REV C

THIS DRAWING IS UNPUBLISHED.

RELEASED FOR PUBLICATION

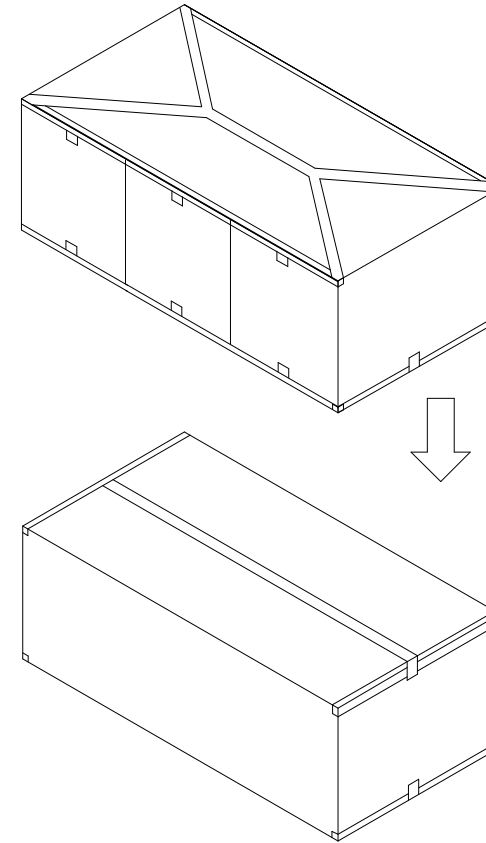
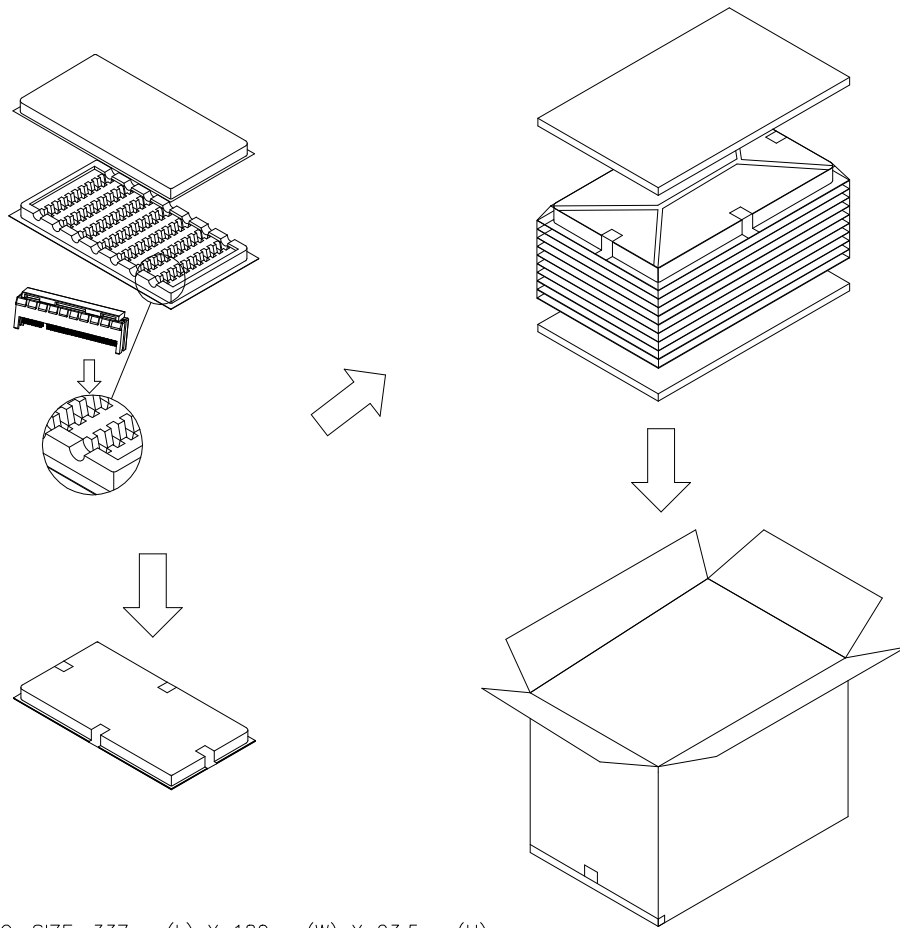
-. - .

© COPYRIGHT - TE Connectivity Ltd.

ALL RIGHTS RESERVED.

REVISIONS

P	LTR	DESCRIPTION	DATE	DWN	APVD
-	-	SEE SHEET 1	-	-	-



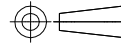
NOTES:

- 1. TRAY : PVC, SIZE: 337mm(L) X 180mm(W) X 23.5mm(H).
- 2. CARTON : CORRUGATED, SIZE: 353mm(L) X 199mm(W) X 223mm(H).
- 3. CARTON TRANSPARENT BAG : PE, SIZE: 560mm(L) X 400mm(W) X 0.05mm(H).
- 4. E.P.E SIZE: 336mm(L) X 182mm(W) X 8mm(H).
- 5. BOX TRANSPARENT BAG : PE, SIZE: 600mm(L) X 590mm(W) X 0.06mm(H).
- 6. BOX : CORRUGATED, SIZE: 603mm(L) X 371mm(W) X 240mm(H).
- 7. QUANTITY: SEE TABL

164	30	300	900	8.2	12.1
98	40	400	1200	6.5	10.4
64	60	600	1800	7.2	11.1
36	70	700	2100	6.1	10.0
POS No.	PIECES PER TRAY	PIECES PER CARTON	PIECES PER BOX	NET WEIGHT (Kg)	GROSS WEIGHT (Kg)

THIS DRAWING IS A CONTROLLED DOCUMENT.

DIMENSIONS: mm



MATERIAL SEE NOTE

TOLERANCES UNLESS OTHERWISE SPECIFIED:

0 PLC	± -
1 PLC	± -
2 PLC	± -
3 PLC	± -
4 PLC	± -
ANGLES	± 3'

FINISH SEE NOTE

DWN B. HSING 05JUN2009
 CHK S. CHIEN 05JUN2009
 APVD W. KODAMA 05JUN2009
 PRODUCT SPEC 108-57854
 APPLICATION SPEC -
 WEIGHT 0

TE Connectivity Ltd.
PCI EXPRESS CARD EDGE CONNECTOR STRADDLE MOUNT TYPE
 NAME -
 SIZE A3 CAGE CODE 00779 DRAWING NO C=1734857 RESTRICTED TO -
 CUSTOMER DRAWING SCALE 1:1 SHEET 4 OF 4 REV C