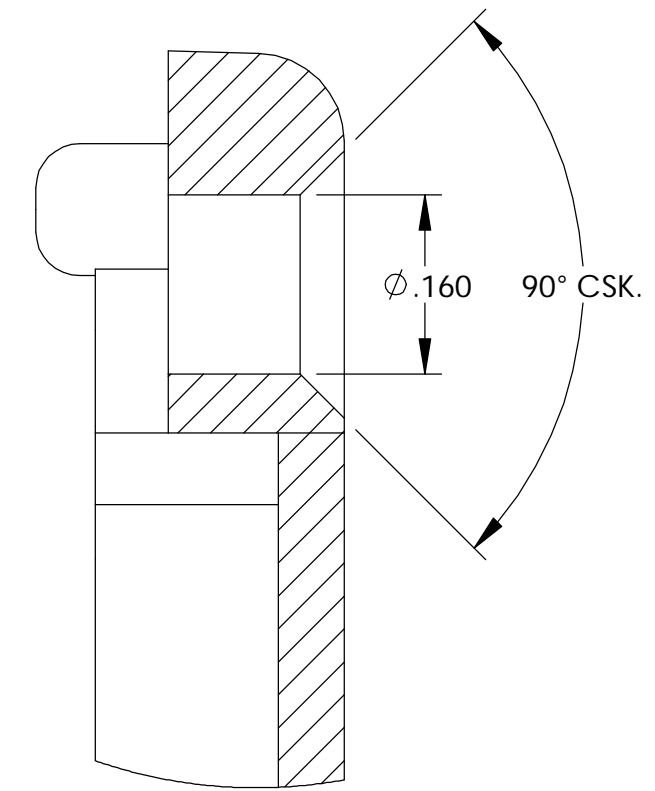
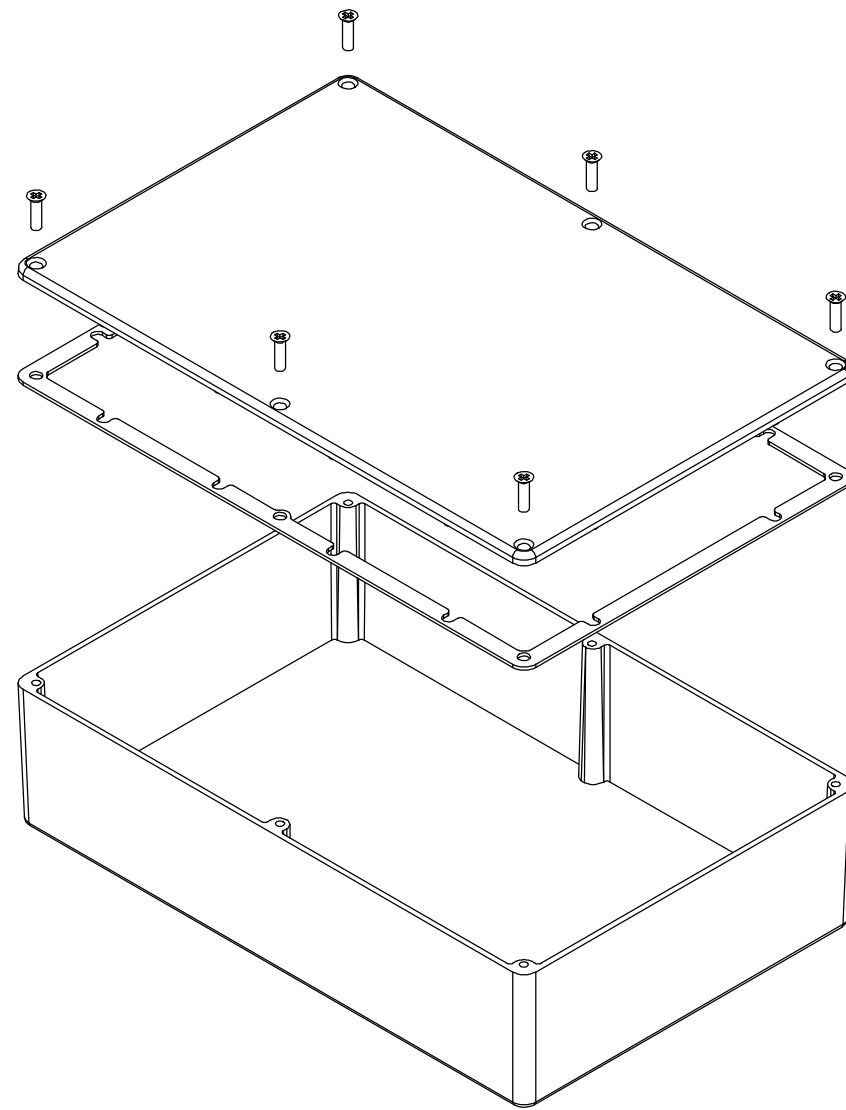


THE INFORMATION CONTAINED IN THIS DRAWING IS THE SOLE PROPERTY OF BUD INDUSTRIES INC. ANY REPRODUCTION IN PART OR WHOLE WITHOUT THE WRITTEN PERMISSION OF BUD INDUSTRIES INC. IS PROHIBITED.

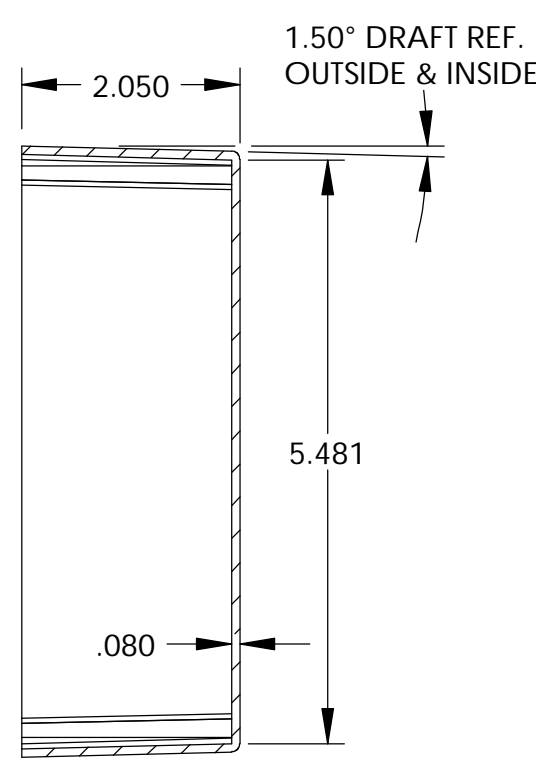
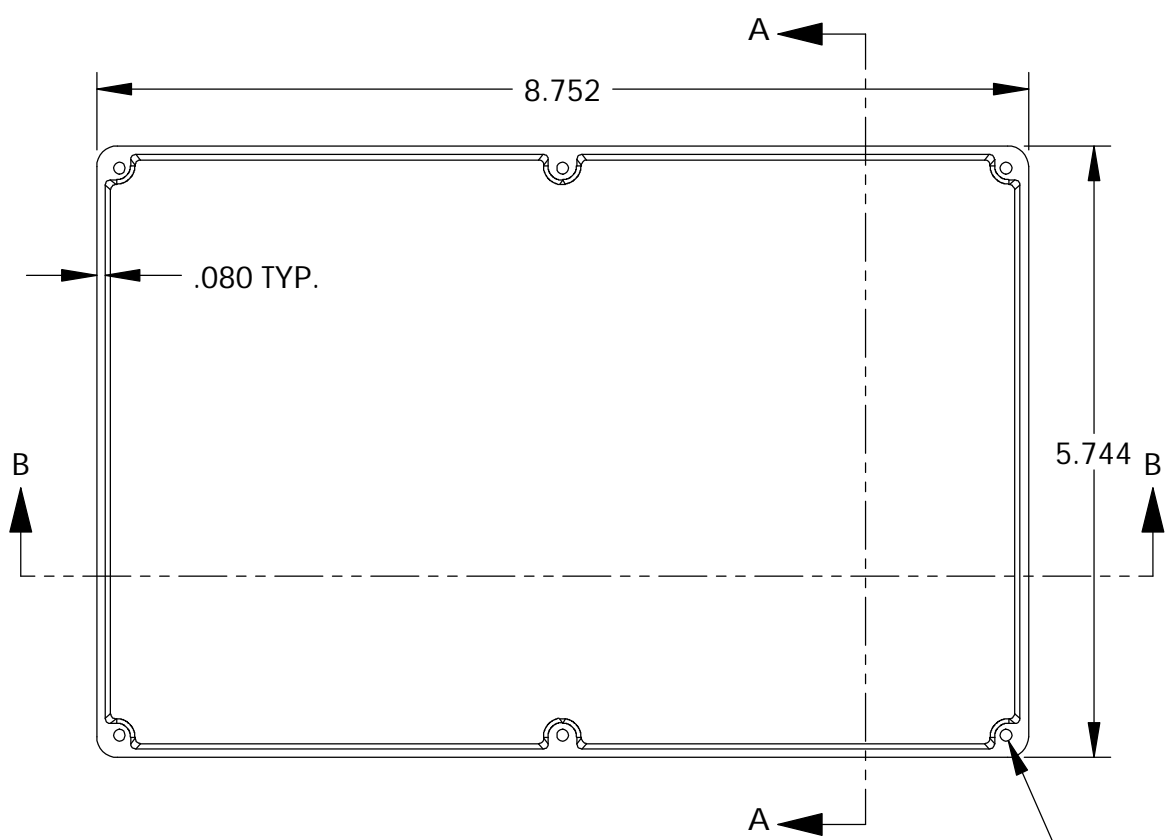
DWG. NO.	CN-5711
ISSUE	REVISIONS

MATERIAL - ALUMINUM ALLOY #ADC-12  
 FINISH - NATURAL (CONTACT BUD FACTORY FOR ALTERNATE FINISHES)  
 GASKET - RATED IP65 NEOPRENE, SELF-ADHESIVE, 3mm THICK, COLOR BLACK  
 SCREWS - STAINLESS STEEL, M3.5 x 12mm LG., CSK. HEAD, SELF-THREADING

ALL HOLE DIAMETERS HAVE ±.005 TOLERANCE.  
 ALL OTHER DIMENSIONS HAVE ±.015 TOLERANCE.  
 ENCLOSURES ARE SHIPPED UNASSEMBLED WITH ALL ITEMS SHOWN.



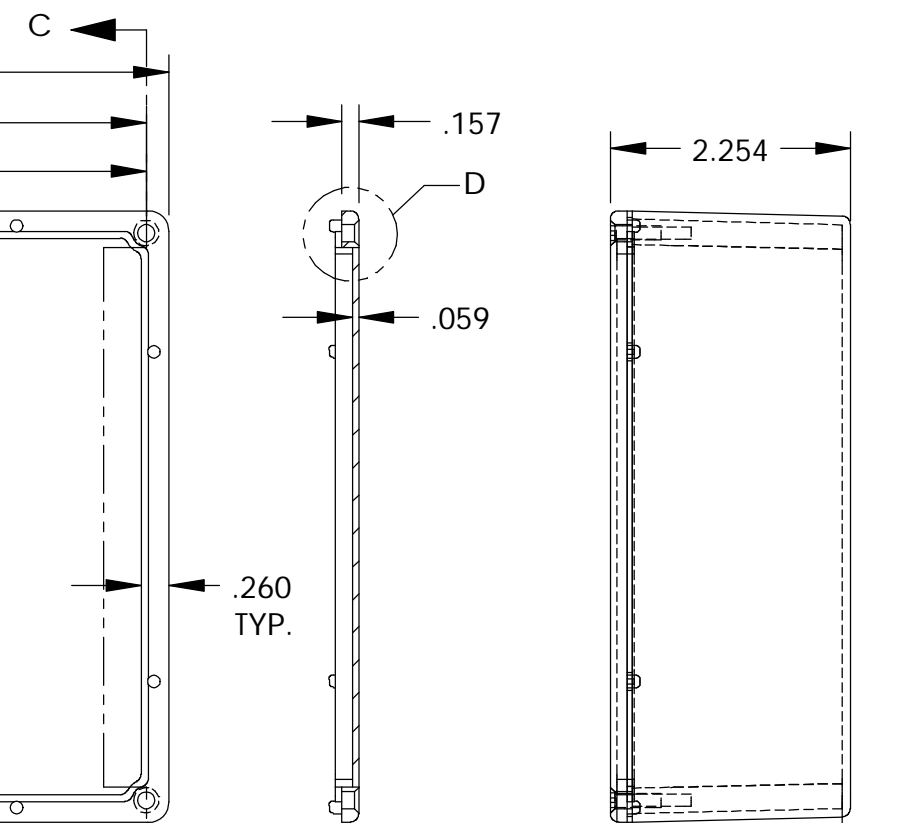
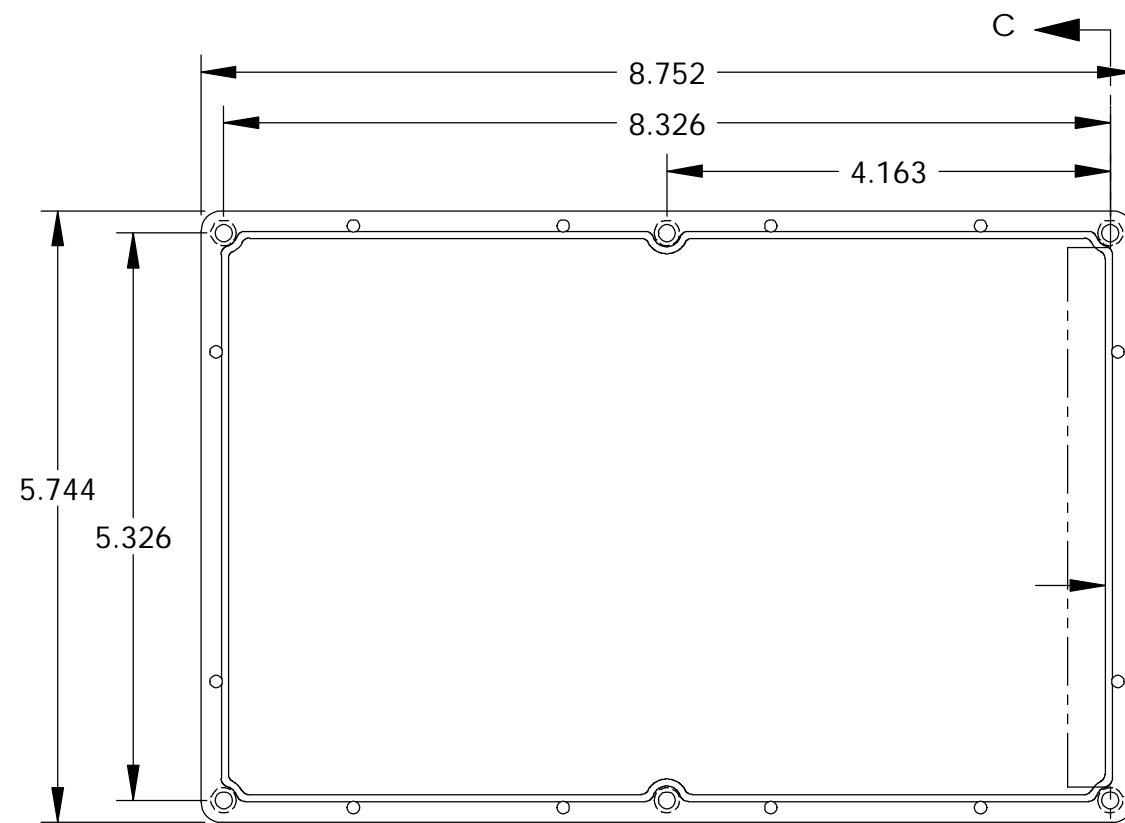
DETAIL D  
SCALE 6:1



SECTION A-A

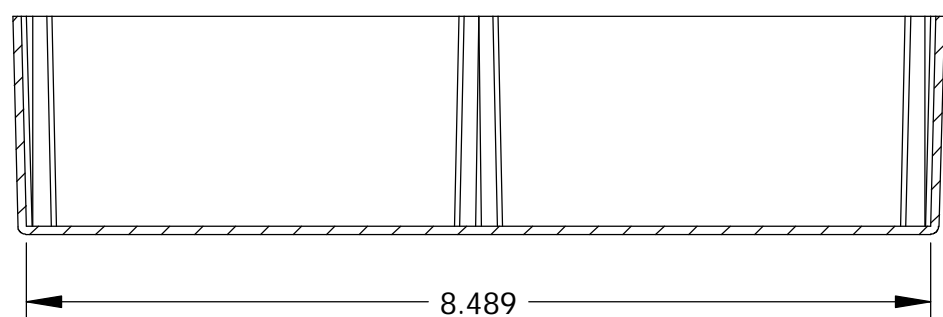
TAPPED M3.5 (6x)

BODY



SECTION C-C

COVER



SECTION B-B

PARTS LIST			
+/- .005 BETWEEN HOLE CENTERS		CAD GENERATED DRAWING. DO NOT MANUALLY UPDATE	
+/- .015 FROM SHEARED EDGE		APPROVALS	
+/- .032 FROM A BENT SURFACE		DRAWN	DATE
+/- .062 BETWEEN ASSEMBLED SURFACES		DAB	3-31-06
UNLESS OTHERWISE SPECIFIED		CHECKED	
MATERIAL		APPROVED	
AS NOTED		BUD INDUSTRIES INC.	
AS NOTED		DIE CAST ALUMINUM ENCLOSURE	
QTY.	USED ON	SCALE	DWG. NO. CN-5711
		DO NOT SCALE DRAWING	REV.
			CAD FILE: SHEET 1 OF 1