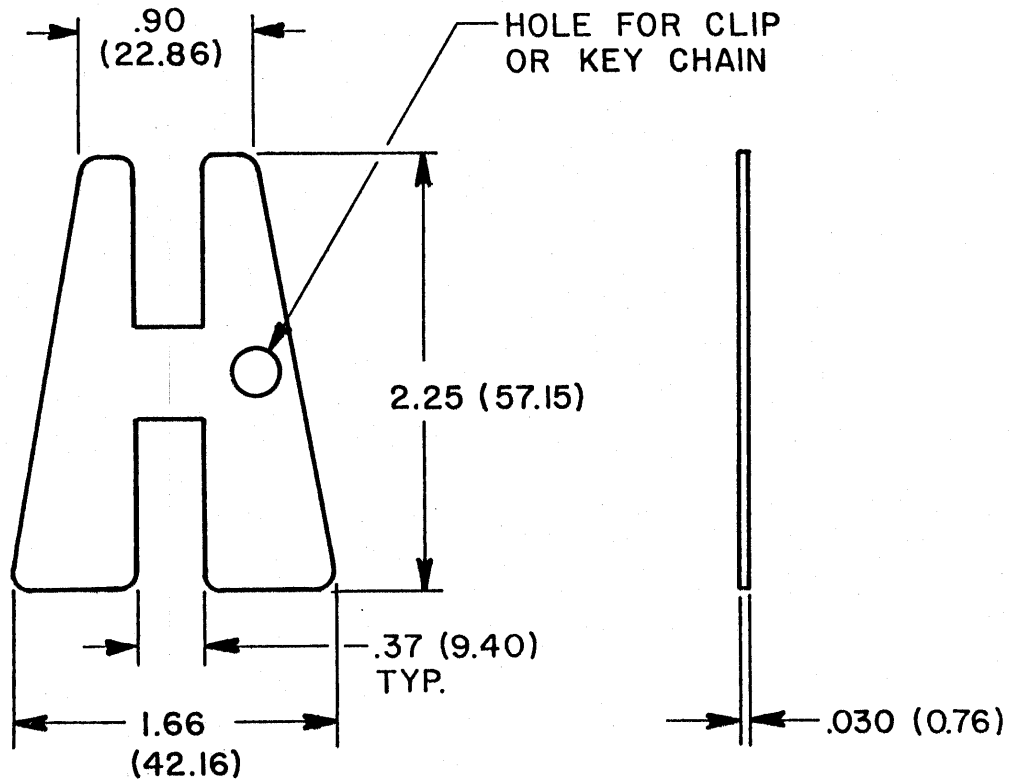


REVISIONS			
LTR	DESCRIPTION	DATE	APPROVED
D	CHG'D PER DCO#T-03333	W.J. 12-14-81	<i>[Signature]</i>
E	REVISED PER ECN -03653	8-18-82	73
F	REVISED PER ECN #T-20349	8/2/95	HAGMANN



**NOTES:**

1. REMOVAL TOOL IS TO BE USED ON MTC SERIES CONNECTOR WAFERS.
2. DIMENSIONS IN BRACKETS ( ) ARE METRIC (M.M.).

If this document is printed it becomes uncontrolled.  
Check with the web for latest revision.

DO NOT SCALE THIS DRAWING		SPECIFICATION CONTROL DRAWING			
UNLESS OTHERWISE SPECIFIED DIMENSIONS ARE IN INCHES AND TOLERANCES ARE: .XXX : ±.005(.13) .XX : ±.03 (0.76) ___ : ±	DRAWN	<i>Melen 2/2/77</i>	<b>RAYCHEM</b>		RAYCHEM CORPORATION 300 CONSTITUTION DRIVE MENLO PARK, CALIFORNIA 94025
	CHECKED	<i>R.M. Keel 2/1/77</i>			
MATERIAL <b>PLASTIC</b>	APPROVED	<i>[Signature] 2-2-77</i>	TITLE <b>MTC CONNECTOR WAFER REMOVAL TOOL NO. D659-0001</b>		
	APPROVED				
FINISH —	PART NO.		SIZE A	CODE IDENT. NO. 06090	DWG. NO. <b>D659-0001</b>
	PROJECT	—	SCALE <b>FULL</b>	WEIGHT —	SHEET — OF —