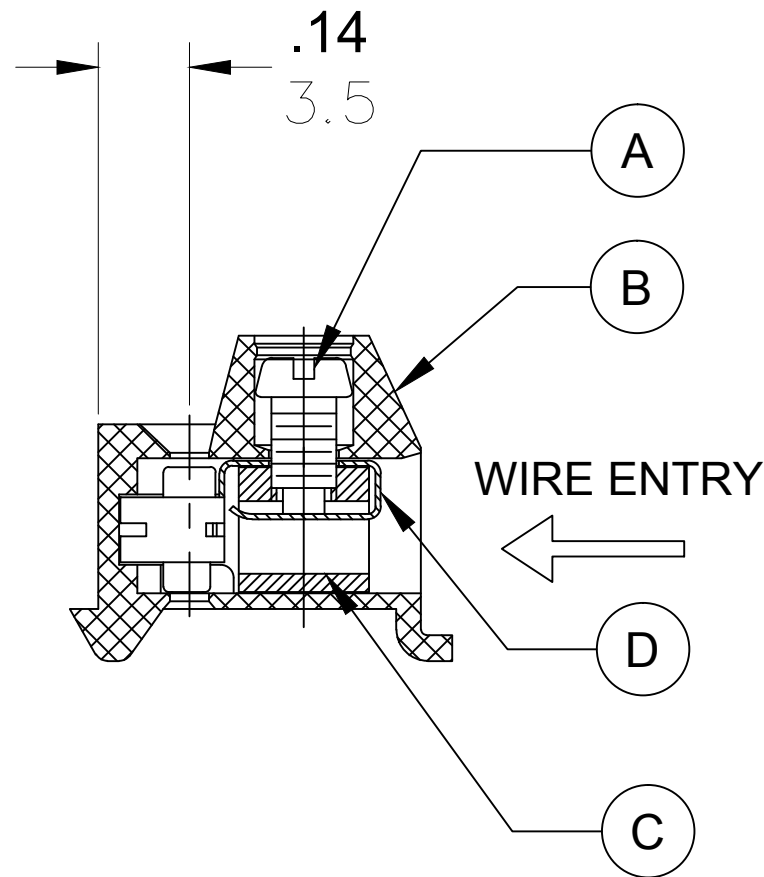
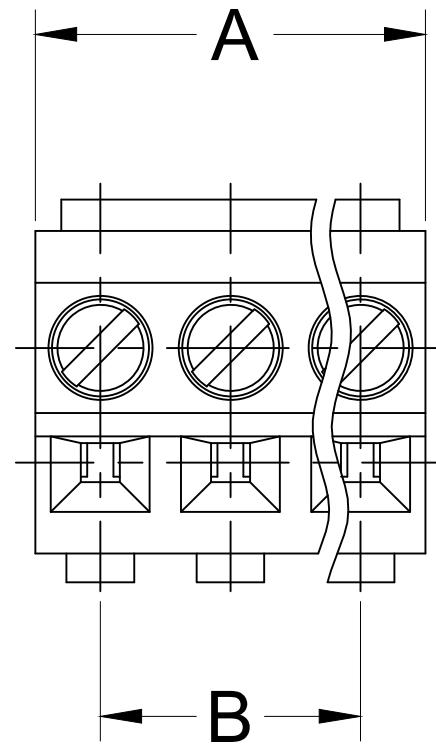
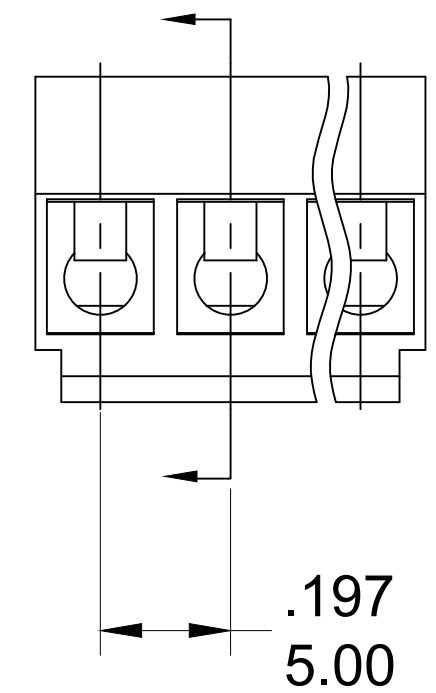
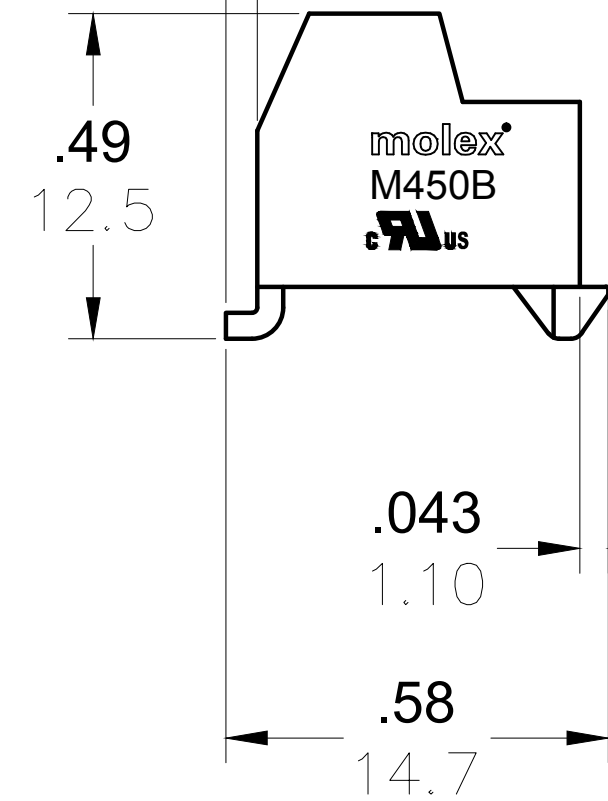


PART NUMBER DATA

CIRCUITS	PART NUMBER	ENGINEERING NUMBER	COLOR	A IN mm		B IN mm	
2	397540002	M450B-01-1-02-3	GREEN	.39	10.0	.197	5.00
3	397540003	M450B-01-1-03-3	GREEN	.59	15.0	.394	10.00
4	397540004	M450B-01-1-04-3	GREEN	.79	20.0	.591	15.00
5	397540005	M450B-01-1-05-3	GREEN	.98	25.0	.787	20.00
6	397540006	M450B-01-1-06-3	GREEN	1.18	30.0	.984	25.00
7	397540007	M450B-01-1-07-3	GREEN	1.38	35.0	1.181	30.00
8	397540008	M450B-01-1-08-3	GREEN	1.57	40.0	1.378	35.00
9	397540009	M450B-01-1-09-3	GREEN	1.77	45.0	1.575	40.00
10	397540010	M450B-01-1-10-3	GREEN	1.97	50.0	1.772	45.00
11	397540011	M450B-01-1-11-3	GREEN	2.17	55.0	1.969	50.00
12	397540012	M450B-01-1-12-3	GREEN	2.36	60.0	2.165	55.00
13		M450B-01-1-13-3	GREEN	2.56	65.0	2.362	60.00
14		M450B-01-1-14-3	GREEN	2.76	70.0	2.559	65.00
15		M450B-01-1-15-3	GREEN	2.95	75.0	2.756	70.00
16		M450B-01-1-16-3	GREEN	3.15	80.0	2.953	75.00
17		M450B-01-1-17-3	GREEN	3.35	85.0	3.150	80.00
18		M450B-01-1-18-3	GREEN	3.54	90.0	3.346	85.00
19		M450B-01-1-19-3	GREEN	3.74	95.0	3.543	90.00
20		M450B-01-1-20-3	GREEN	3.94	100.0	3.740	95.00
21		M450B-01-1-21-3	GREEN	4.13	105.0	3.937	100.00
22		M450B-01-1-22-3	GREEN	4.33	110.0	4.134	105.00
23		M450B-01-1-23-3	GREEN	4.53	115.0	4.331	110.00
24		M450B-01-1-24-3	GREEN	4.72	120.0	4.528	115.00

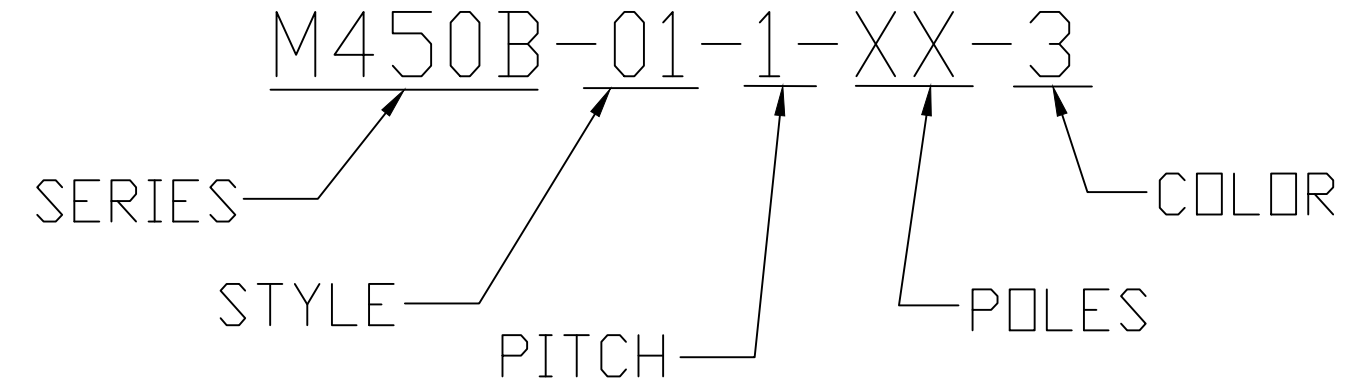


.047
1.20



REF. THE LAST 2 DIGITS OF THE PART NUMBER EQUAL CIRCUIT COUNT

ENGINEERING NUMBER LEGEND



SPECIFICATIONS

1. MATERIAL:

- A. SCREW: M2.5, STEEL. ZINC PLATED
- B. BODY: PA66, UL94 V-0
- C. CAGE: BRASS, NI PLATED
- D. CONTACT: PHOS-BRONZE, TIN PLATED

2. WIRE SIZE: 24 TO 14AWG

3. RATING: 300V, 10A

4. MAX TORQUE: 3IN. LBS.

5. WIRE STRIP LENGTH: .20 (5.0mm)

6. OPERATING TEMPERATURE: -40°C TO +105°C.

7. DIMS. SHOWN ARE FOR REFERENCE ONLY

TOLERANCES			
MM	TOL	INCH	TOL
0-6	±0.25	0-.24	±.010
>6-30	±0.40	.24-1.18	±.016
>30-120	±0.50	1.18-4.76	±.020
>120	±0.80	>4.76	±.031

REVISED DOC TOL EC NO.: IFC2017-0881 DRWN: ABENJAMI CHKD: --- APPR: BRUPERT 2014/10/16 DESCRIPTION REV	QUALITY SYMBOL	GENERAL TOLERANCES (UNLESS SPECIFIED)	CONTACT	DIMENSION STYLE IN/MM	SCALE	DESIGN UNITS METRIC	THIRD ANGLE PROJECTION
	▽=0	4 PLACES ±--- ±---	FACTORY FOR OPTIONAL COLORS	DRAWN BY DATE	---	---	---
	▽C=0	3 PLACES ±--- ±---		RSTONE 2014/07/25	TITLE		
		2 PLACES ±--- ±---		G FARNSW	TERMINAL PLUG 5.0MM HORIZONTAL, SNAP MT		
	1 PLACE ±--- ±---			APPROVED BY DATE	MOLEX INCORPORATED		
		ANGULAR ±---°		JFMURPHY 2014/10/16	SD-39754-001		
		DRAFT WHERE APPLICABLE MUST REMAIN WITHIN DIMENSIONS		MATERIAL NO.	DOCUMENT NO.		
				SEE CHART	SD-39754-001		
				SIZE C	THIS DRAWING CONTAINS INFORMATION THAT IS PROPRIETARY TO MOLEX INCORPORATED AND SHOULD NOT BE USED WITHOUT WRITTEN PERMISSION		
					SHEET NO. 1 OF 1		