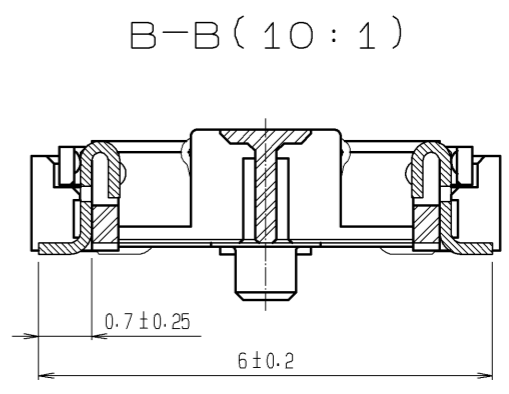
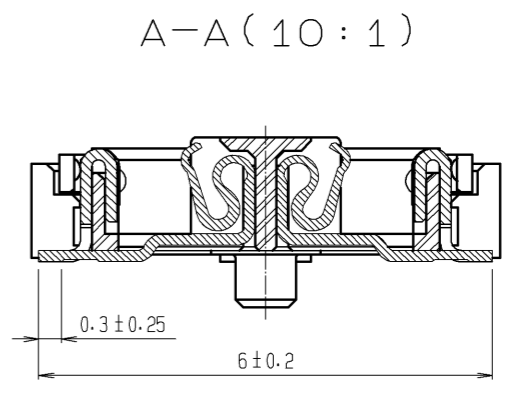
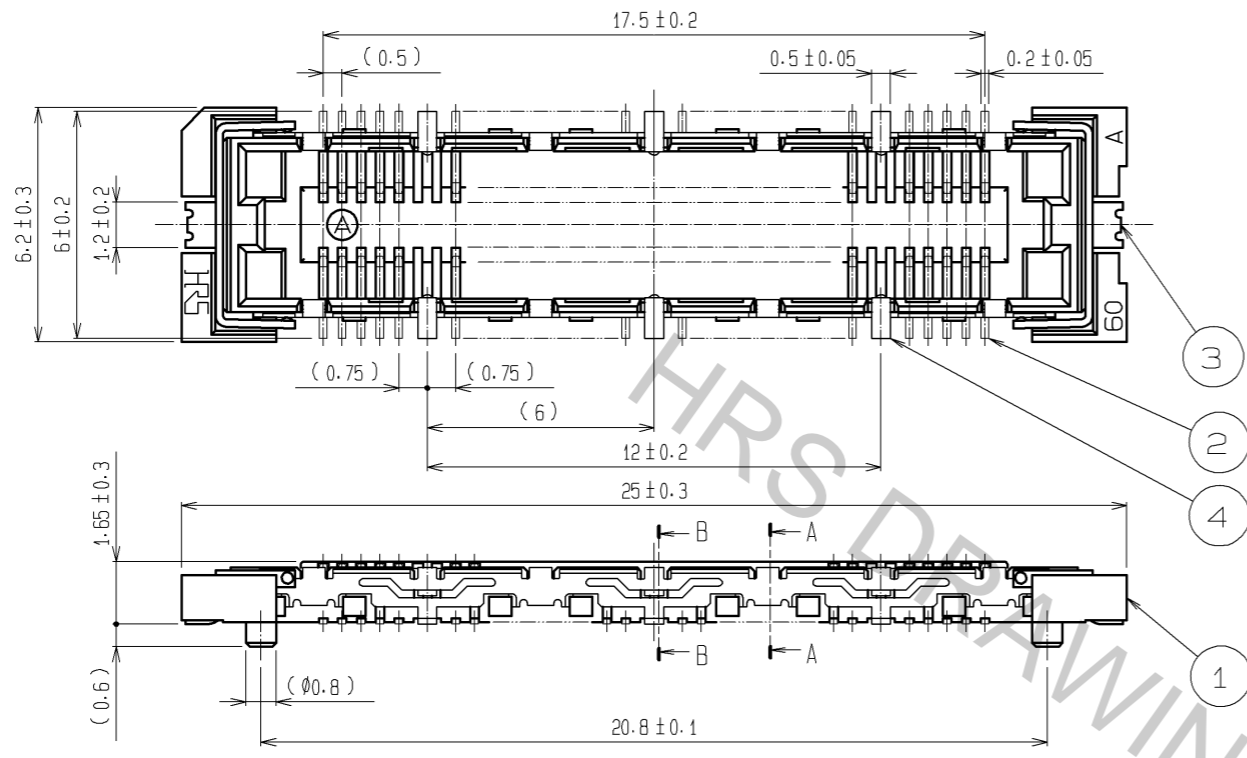
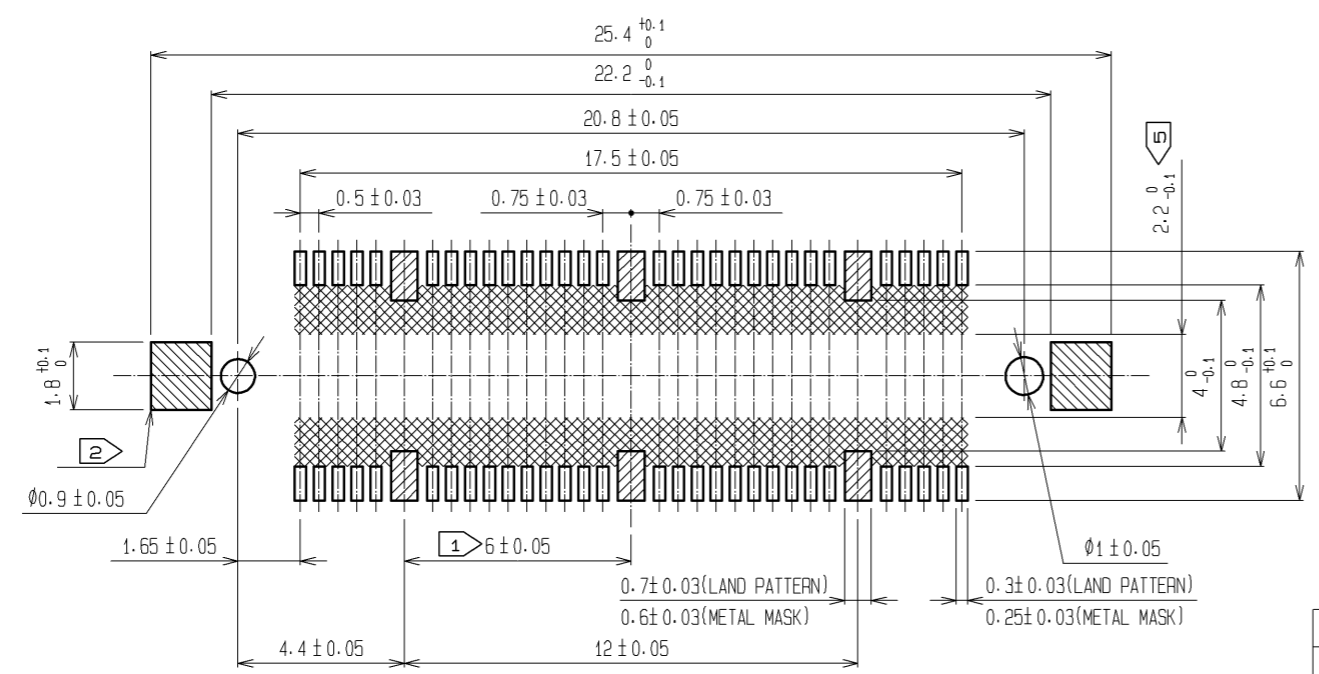


Apr.1.2017 Copyright 2017 HIROSE ELECTRIC CO., LTD. All Rights Reserved.



RECOMMENDED LAND PATTERN DIMENSION OF PCB  
(RECOMMENDED METAL MASK THICKNESS: 0.15mm)

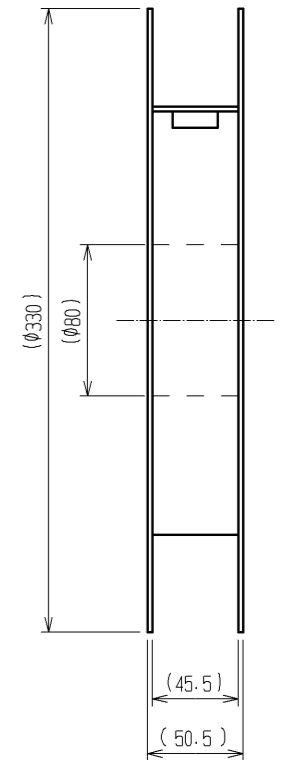
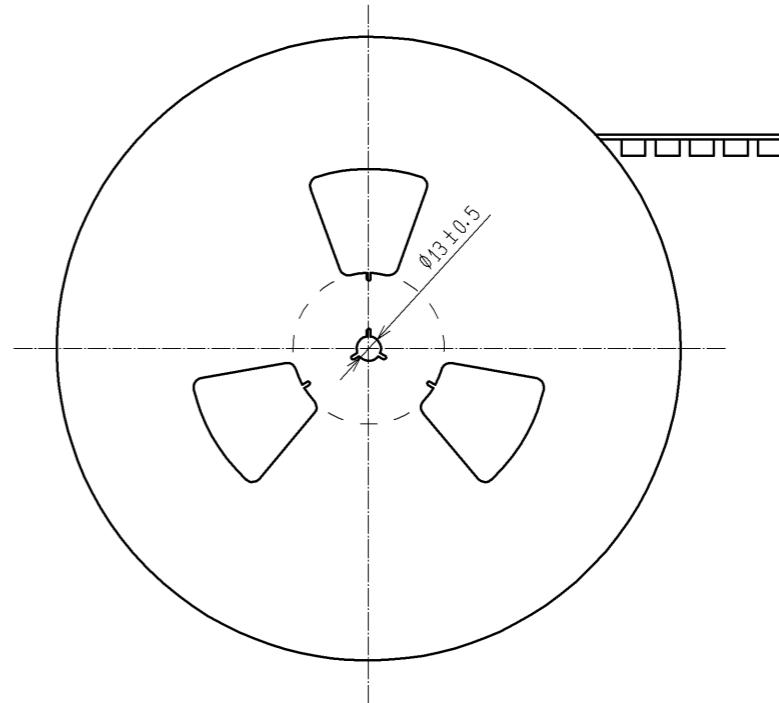
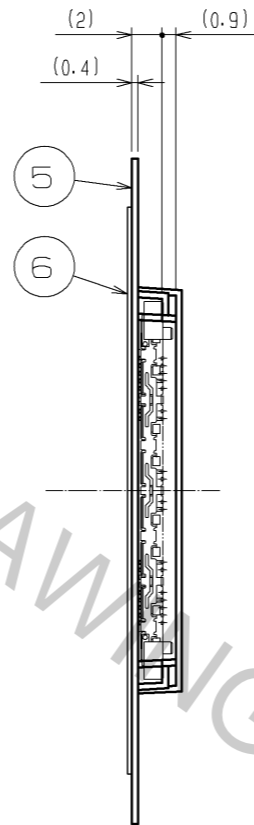
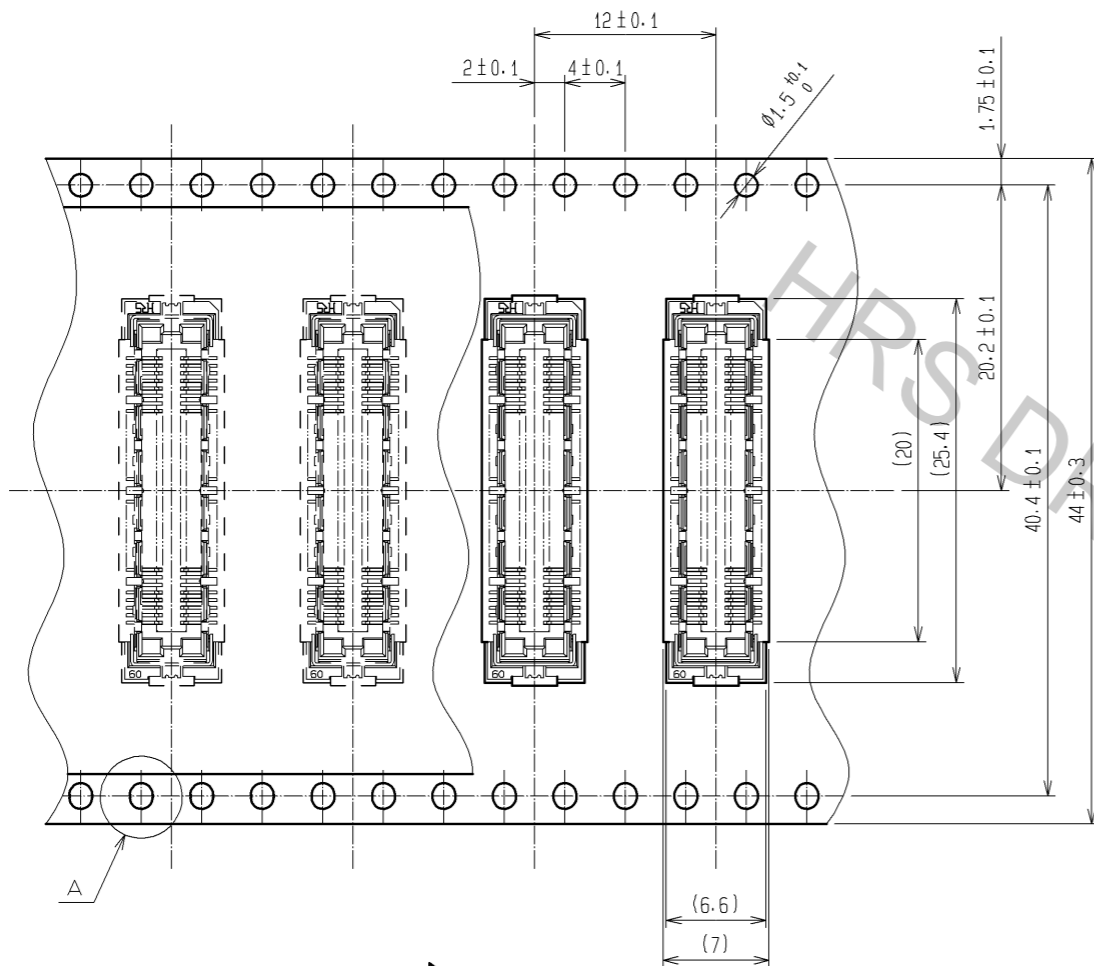


- NOTES
- ① 6 HATCHED PARTS: GROUND CIRCUIT.
  - ② 2 HATCHED PARTS: GROUND CIRCUIT.
  - ③ SMT LEAD-COPLANARITY: 0.1 MAX.
  - ④ THIS PRODUCT HAS NO POLARITY TO PATTERN FOR MOUNTING.
  - ⑤ MAKE SURE WIDTH OF PATTERN IS WITHIN THAT OF LAND .OR LEAD MAY TOUCH PATTERN. (THIS APPLIES TO HATCHED AREA.)
  - ⑥ TO BE EMBOSSED CARRIER TAPED AS SPECIFIED IN SHEET 2.
  - ⑦ THE DIMENSIONS IN PARENTHESES ARE FOR REFERENCE.

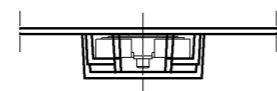
3, 4	PHOSPHOR BRONZE	TIN PLATING						
		CONTACT AREA : GOLD 0.1μm min.						
2	PHOSPHOR BRONZE	LEAD AREA : GOLD FLASH						
		UNDER PLATING : NICKEL 1μm min.	6	PET	(TOP COVER TAPE)			
1	LCP	BEIGE UL94V-0	5	PS	(EMBOSSED CARRIER TAPE)			
NO.	MATERIAL	FINISH . REMARKS	NO.	MATERIAL	FINISH . REMARKS			
UNITS		SCALE	COUNT	DESCRIPTION OF REVISIONS		DESIGNED	CHECKED	DATE
mm		5 : 1	△					
<b>HRS</b> HIROSE ELECTRIC CO., LTD.		APPROVED : HS. OKAWA	09.05.22	DRAWING NO. EDC3-152108-21				
		CHECED : HT. YAMAGUCHI	09.05.22	PART NO. FX11LA-60S/6-SV(91)				
		DESIGNED : YN. TAKANO	09.05.21	CODE NO. CL573-0102-1-91				
		DRAWN : HK. SUNADORI	09.05.20					

# DRAWING FOR PACKING(2:1)

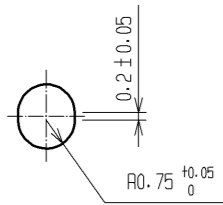
REELED DIMENSION(Free)



THE DIRECTION OF PULLING OUT →



A(5:1)



- NOTES
- 1 REEL : 1000 CONNECTORS.
  - 2 MINIMUM 10 COMPARTMENTS FROM BOTH REEL ENDS REMAIN EMPTY.
  - 3 THIS PRODUCT HAS NO POLARITY TO TAPE AND REEL PACKAGING.
  - 4 THE DIMENSIONS IN PARENTHESES ARE FOR REFERENCE.

<b>HRS</b>	DRAWING NO.	EDC3-152108-21
	PART NO.	FX11LA-60S/6-SV(91)
	CODE NO.	CL573-0102-1-91
		$\triangle$ 2/2