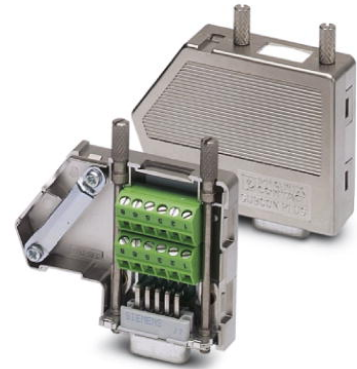


# SUBCON-PLUS F1

Order No.: 2744267

The illustration shows version SUBCON-PLUS M 2


<http://eshop.phoenixcontact.de/phoenix/treeViewClick.do?UID=2744267>

D-SUB connector, 9-pos. female connector, two cable entries < 35°, bus system: Modbus, Modbus Plus, BITBUS, ARCNET, MULT/MININET (B&R), SYSTEM 2003 (B&R), P-NET, pin assignment: 1, 2, 3, 5, 6, 8; screw connection terminal blocks

**RS-485** **Product notes**WEEE/RoHS-compliant since:  
01/02/2008

<http://www.download.phoenixcontact.com>  
Please note that the data given here has been taken from the online catalog. For comprehensive information and data, please refer to the user documentation. The General Terms and Conditions of Use apply to Internet downloads.

**Commercial data**

GTIN (EAN)	 4 017918 170783
sales group	H631
Pack	1 pcs.
Customs tariff	85366990
Catalog page information	Page 554 (IF-2009)

**Technical data****General data**

Nominal voltage $U_N$	60 V AC/DC
Nominal current $I_N$	1 A

Bus system	MODBUS, MODBUS-PLUS, BITBUS, ARCNET, MULT/MININET (B&R), SYSTEM 2003 (B&R), P-NET
Insertion/withdrawal cycles	> 200
Max. cable diameter	10 mm
Min. cable diameter	6 mm
SUBCON fixing screws	4-40 UNC
Tightening torque	0.4 Nm
Ambient temperature (operation)	-20 °C ... 75 °C
Housing material	ABS, metal-plated
Pin assignment	1,2,3,5,6,8 on two terminal blocks
Width	16 mm
Height	44 mm
Length	60 mm

**Connection data**

Connection	D-SUB connection
Number of positions	9
Type of connection	D-SUB socket
Tightening torque	0.4 Nm
Connection	PCB connection
Type of connection	Screw connection
Conductor cross section solid min.	0.14 mm <sup>2</sup>
Conductor cross section solid max.	1.5 mm <sup>2</sup>
Conductor cross section stranded min.	0.14 mm <sup>2</sup>
Conductor cross section stranded max.	1 mm <sup>2</sup>
Conductor cross section AWG/kcmil min.	26
Conductor cross section AWG/kcmil max	16
Stripping length	5 mm
Tightening torque	0.4 Nm

**Certificates / Approvals**

Certification

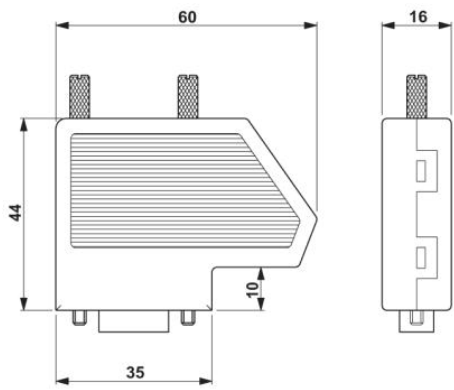
CUL, GOST, UL

**Accessories**

Item	Designation	Description
<b>Assembly</b>		
2799694	SUBCON-SHORT-SCREW	Optional mounting screw, without knurl for narrow installation conditions, slotted head, length: 40 mm, UNC 4-40 thread

**Diagrams/Drawings**

Dimensioned drawing



**Address**

PHOENIX CONTACT Deutschland GmbH  
Flachmarktstr. 8  
32825 Blomberg, Germany  
Phone +49 5235 3 12000  
Fax +49 5235 3 41200  
<http://www.phoenixcontact.de>



© 2011 Phoenix Contact  
Technical modifications reserved;