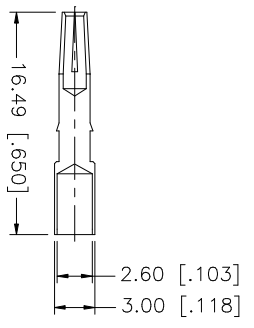
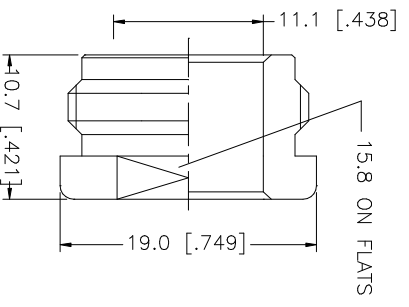
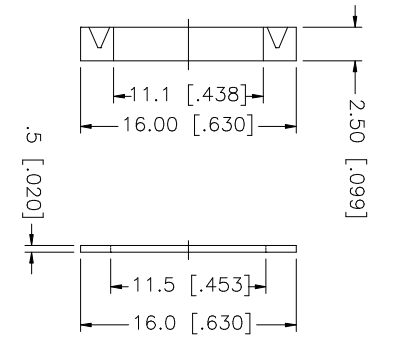
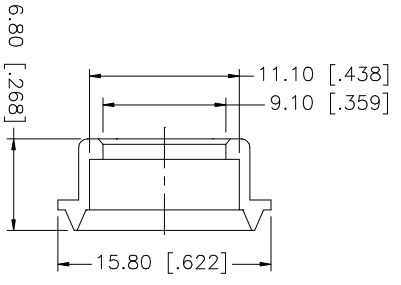
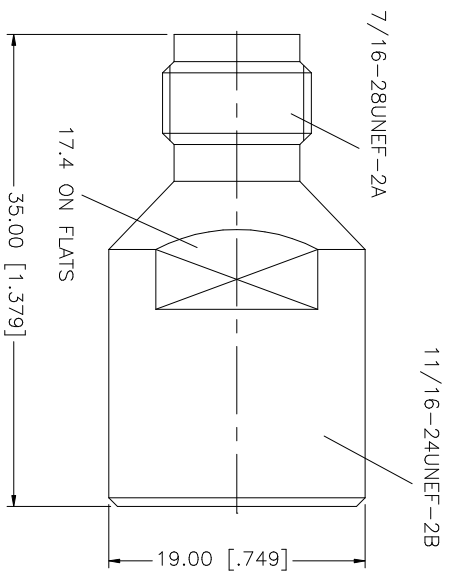
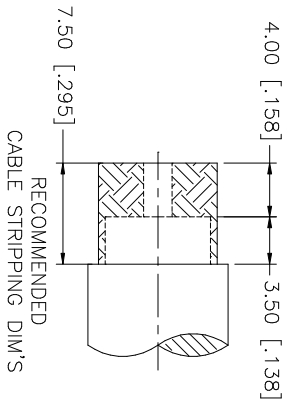


REV.	DATE	DESCRIPTION
NC	10/28/99	INITIAL RELEASE
A	10/18/05	UPDATE DRAWING FORMAT AND DESCRIPTION



QTY	FINISH	MATERIAL	DESCRIPTION
1	NICKEL	BRASS	1
1	NICKEL	BRASS	2
1	NICKEL	TEFLON	3
1	NICKEL	BRASS	4
1	NICKEL	SILICONE	5
1	NICKEL	BRASS	6
1	GOLD	PHOS. BRONZE	7
1	GOLD	PHOS. BRONZE	8

UNLESS OTHERWISE SPECIFIED, DIMENSIONS ARE IN MILLIMETERS. DIMENSIONS IN [] ARE IN INCHES AND FOR CUSTOMER REFERENCE ONLY. TOLERANCES FOR MILLIMETERS ARE:	UNLESS OTHERWISE SPECIFIED, DIMENSIONS ARE IN INCHES AND FOR CUSTOMER REFERENCE ONLY. TOLERANCES FOR INCHES ARE:
0.5 - 8mm ± 0.20mm	.020 - .315 ± 0.007"
8 - 30mm ± 0.40mm	.315 - 1.180 ± 0.015"
30 - 120mm ± 0.50mm	1.180 - 4.724 ± 0.020"

APPROVALS	DATE	PART DESCRIPTION
DRAWN G.R.S.	10/18/05	TNC CLAMP JACK
CHECKED		(FOR RG-8/U, 213/U, 214/U)
ISSUED		
SHEET 1 OF 1		

CAD FILE C:/122/122446.DWG	DWG. NO. 122446.DWG	REV. A	SIZE A	SCALE NA
----------------------------	---------------------	--------	--------	----------

Amphenol Connex