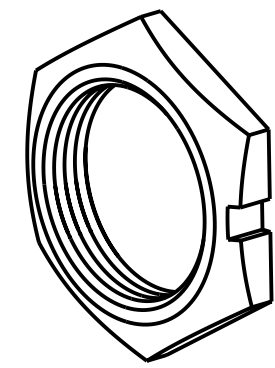
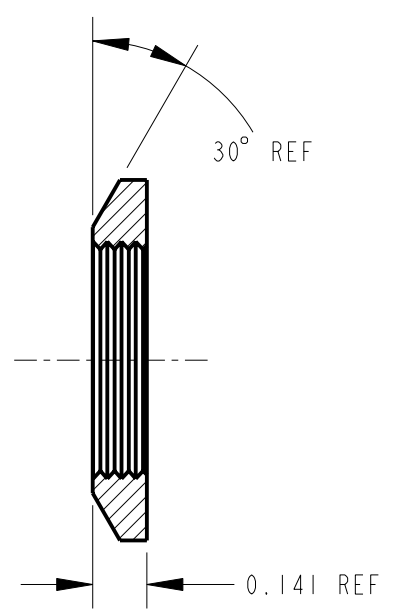


5/8"-27 UNS-2B THREAD.
HEX NUT REF



SECTION A-A

PART NUMBER	COLOR
EN3NUT	BLACK
EN3NUT4L	YELLOW
EN3NUT23	BLUE
EN3NUT2W	RED
EN3NUT25	GREEN

NOTES:

- HEX NUT TO WITHSTAND 10-12 IN-LBS. TIGHTENING TORQUE.
- MATERIAL: THERMOPLASTIC

CUSTOMER DRAWING

					★ STAR SYMBOL DENOTES CRITICAL DIMENSION	THIS DRAWING DESCRIBES A DESIGN CONSIDERED PROPRIETARY IN NATURE, DEVELOPED AND MANUFACTURED BY SWITCHCRAFT INC. AND IS RELEASED ON A CONFIDENTIAL BASIS FOR IDENTIFICATION PURPOSES ONLY.						
					UNLESS OTHERWISE SPECIFIED	SIZE	WIDTH	MULT	LBS/M	TEMPER		
F	25078	8-16-05	JL	EB	1. ALL DIMENSIONS IN INCHES - TWO PLACE DECIMALS ±0.01 - THREE PLACE DECIMALS ±0.005 - ANGLES ±1° - ALL DIA. CONCENTRIC WITHIN 0.005 T.I.R. 2. FEATURES ON THE SAME CENTERLINE MUST BE ALIGNED WITHIN ±0.002 3. REMOVE ALL BURRS	FINISH			MATERIAL SEE NOTE 2			
E	24967	4-14-05	JL	TJK		SPEC No.			SPEC No.			
D	24661	3-4-04	JL	EB		FIRST USED ON		SCALE 2:1				
C	23595	2-2-01	JL	DK		DATE DRAWN	BY	CHKD	APVD			
B	21719	4-1-97	DA	EB	1-Apr-97	DA	EB 4-1-97	EB 4-1-97	SHEET OF			
REV	ECO NUMBER	DATE	BY	APVD	DO NOT SCALE DRAWING					NAME	PART No.	REV
REVISIONS					HEX NUT					EN3NUT_SERIES		F