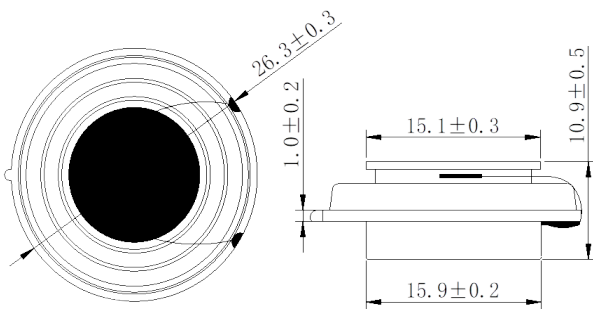


**MODEL:** E-2702  
**PRODUCT:** Exciter  
**EDITION:** A/2017

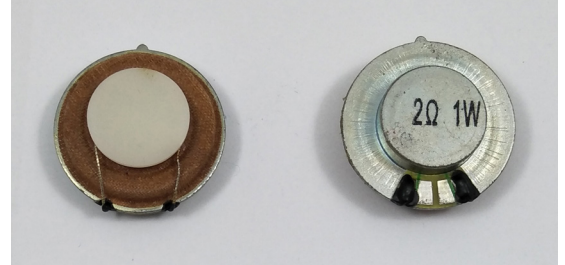


Specification	Unit	E-2702
AC Impedance	$\Omega$	$2 \pm 15\%$ at 1000Hz
Rated Input Power	Watt	1.0
Max Input Power	Watt	2.0
Resonant Frequency	Hz	$400 \pm 20\%$
Frequency Range	Hz	F0 ~ 20.0KHz, Average SPL $\pm 10$ dB
Output Sound Pressure Level	dB	$92 \pm 3$ dB 1.0 Watt/10 cm, AVG. at 0.8, 1.0, 1.2, 1.5KHz
Operating Temperature	$^{\circ}\text{C}$	$-20^{\circ}\text{C} \sim +50^{\circ}\text{C}$
Storage Temperature	$^{\circ}\text{C}$	$-40^{\circ}\text{C} \sim +60^{\circ}\text{C}$
Dimension	mm	$\phi 26.3 \times H10.9$
Distortion		5% maximum at 1000Hz, 1.0W
Polarity		Diaphragm shall move forward when a positive DC current is applied to the "+" or "Marked" Terminal
Load Test		Audio Signal Generator at 1.41Volt Total 48 hours and 20Hz ~ 20KHz resonant frequency
Abnormal Sound Test		Must be normal tested at 1.41 Volt sine wave

## DIMENSIONS



Unit: mm



## FREQUENCY RESPONSE

