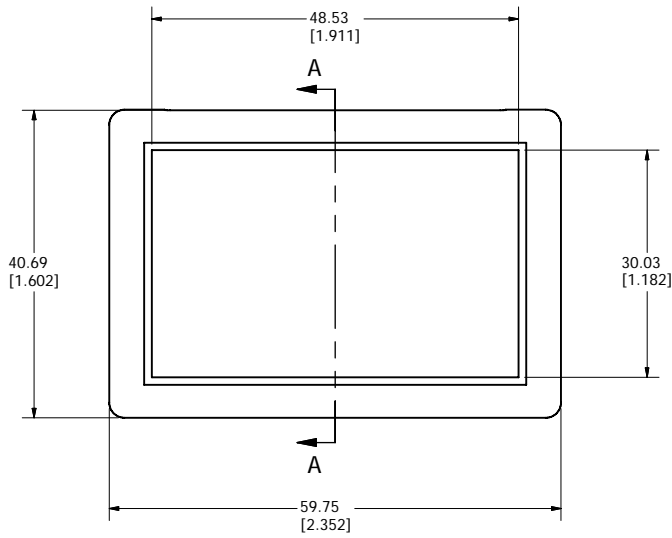
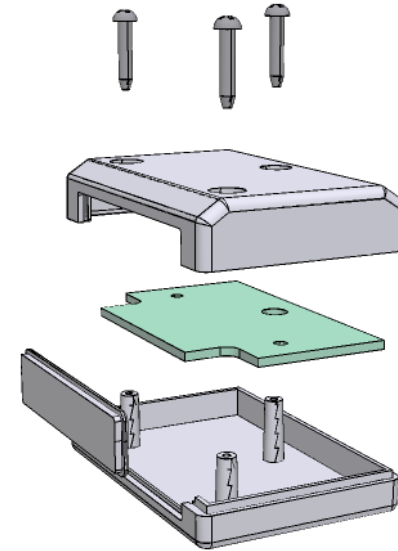
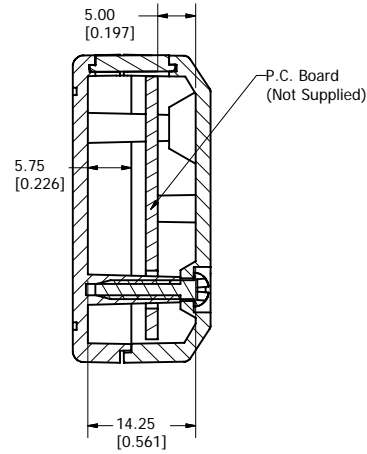


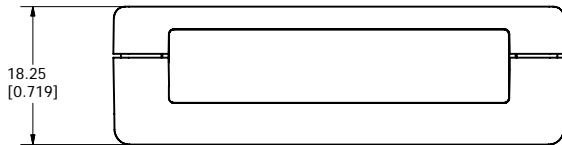
Top View of Assembly



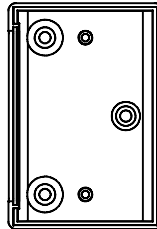
SECTION A-A
(Side Inside Assembly)



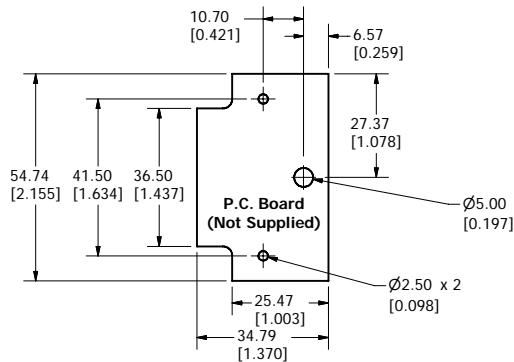
End View of Assembly



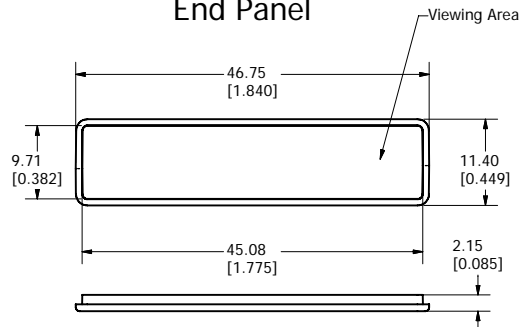
Inside Bottom Cover



Maximum P.C. Board Size



End Panel



NOTE

PART NUMBERS		
Clipper Enclosure		
Black Enclosure RAL 9018		001100
Grey Enclosure RAL 7035		001111
INCLUDES		
#	Description	Material
1	Enclosure	FR ABS-UL94-V0
1	End Panel	FR ABS-UL94-V0
3	Cover Screws #2x1/2 Pan Head	
ACCESSORIES		
	Black Pocket Clip	001151
	Grey Pocket Clip	001152
	Infra Red Panel	001153

