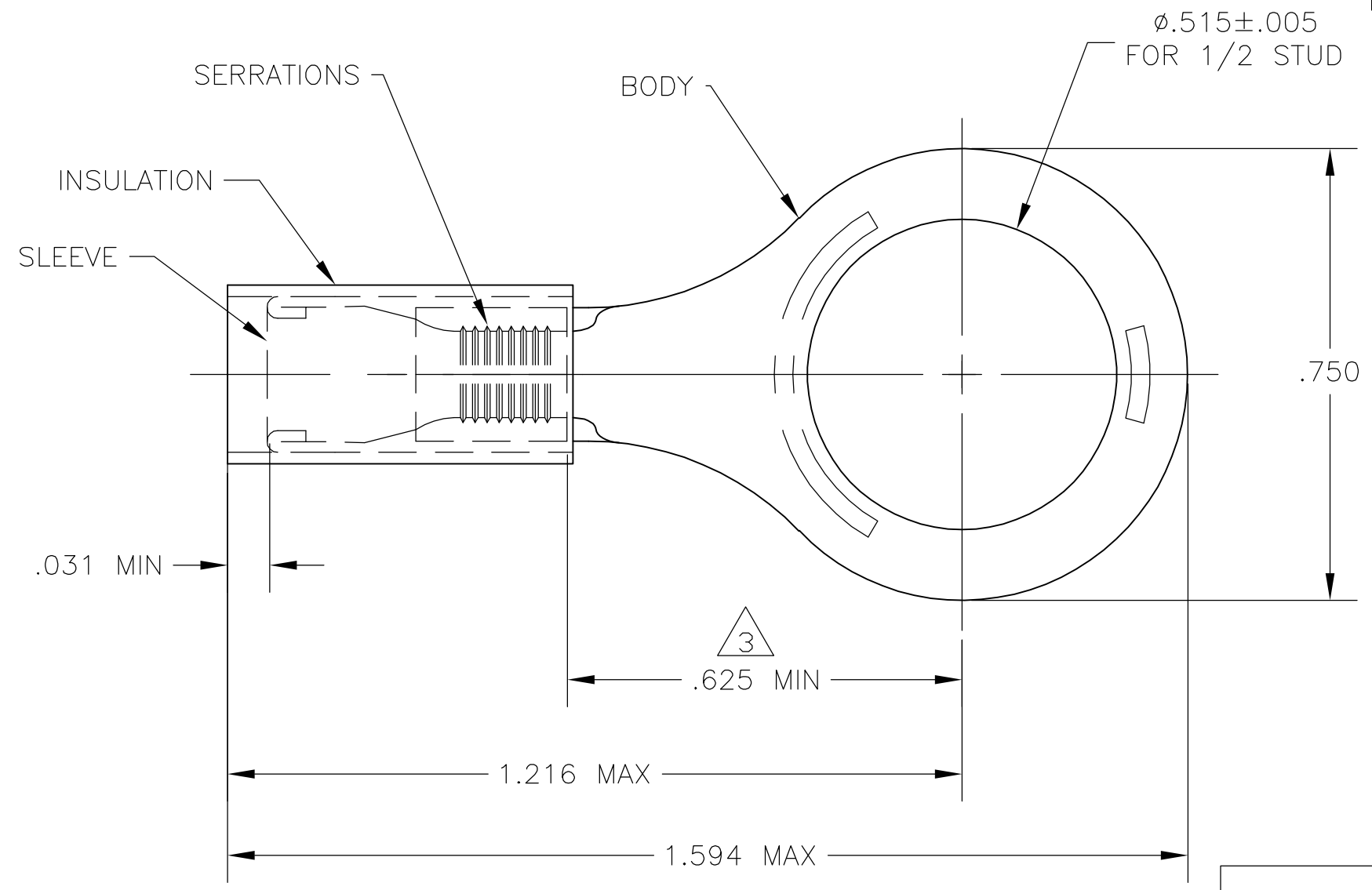


THIS DRAWING IS UNPUBLISHED. RELEASED FOR PUBLICATION  
 © COPYRIGHT BY TYCO ELECTRONICS CORPORATION. ALL RIGHTS RESERVED.

LOC	DIST	REVISIONS					
G	14	P	LTR	DESCRIPTION	DATE	DWN	APVD
				D1 REV PER ECR 06-020959	30AUG06	JR	TM

<b>AMP</b> WIRE RANGE	Listed	LR7189 Certified
12-10 AWG SOLID OR STRANDED	12-10 AWG SOLID OR STRANDED	12-10 AWG SOLID OR STRANDED



- 1 FOR .150 TO .230 WIRE INSULATION DIA.
- 2 TONGUE MATERIAL THK IS .040±.002
- 3 DIMENSION BETWEEN EDGE OF METAL WIRE BBL AND CENTER OF STUD HOLE.
- 4 BODY: COPPER PER ASTM B-152 SLEEVE: NYLON
- 5 BODY: TIN PL PER AST B-545 SLEEVE: COLOR - YELLOW
- 6 PRELIMINARY - NOT FOR PRODUCTION

TAPE & REEL	1,000	BODY & SLEEVE: COPPER B-152 TIN PLATE PER ASTM B545	6 2-323784-1
LOOSE PIECE	500	INSULATION: NYLON (MIL-M-20693) TYPE I, COLOR: YELLOW	323784
PACKAGE TYPE	QTY	MATERIAL & FINISH	PART NO

**AMP INCORPORATED**  
**CUSTOMER SERVICE SYSTEMS**

FOR ADDITIONAL PRODUCT INFORMATION OR COPIES OF DRAWINGS AND TECHNICAL DOCUMENTS  
 PRODUCT INFORMATION CENTER  
 1-800-522-6752

FOR APPLICATION TOOLING ASSISTANCE CENTER  
 TOOLING INFORMATION  
 1-800-722-1111

FOR ORDER ENTRY  
 1-800-526-5142

MAX RECOMMENDED OPERATING TEMPERATURE:  
 105° C [221° F]

VOLTAGE RATING:  
 300 V MAX

WIRE CROSS SECTIONAL AREA RANGE:  
 2.62-6.64mm<sup>2</sup> [5,180-13,000] CIR MILS

THIS DRAWING IS A CONTROLLED DOCUMENT FOR AMP INCORPORATED. IT IS SUBJECT TO CHANGE AND THE CONTROLLING ENGINEERING ORGANIZATION SHOULD BE CONTACTED FOR THE LATEST REVISION.

THIS DRAWING IS A CONTROLLED DOCUMENT.

DIMENSIONS: INCHES

TOLERANCES UNLESS OTHERWISE SPECIFIED:

0 PLC	± -
1 PLC	± -
2 PLC	± -
3 PLC	± .008
4 PLC	± -
ANGLES	± 5'

MATERIAL - 4

FINISH - 5

DWN jr\_ruth 27AUG04  
 CHK T MICHELUTTI 27AUG04  
 APVD T MICHELUTTI 27AUG04

**tyco Electronics** Tyco Electronics Corporation  
 Harrisburg, PA 17105

NAME  
 WIRE TERMINAL  
 P.I.D.G., RING TONGUE,  
 WIRE SIZE: 12-10

PRODUCT SPEC  
 UL 486A

APPLICATION SPEC  
 114-2157

WEIGHT -

SIZE A3 CAGE CODE 00779 DRAWING NO C-323784 RESTRICTED TO -

CUSTOMER DRAWING SCALE 4:1 SHEET 1 OF 1 REV D1