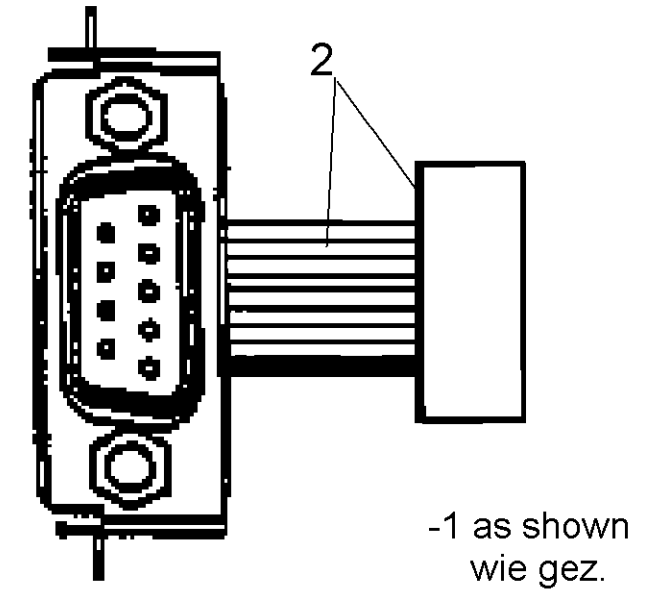
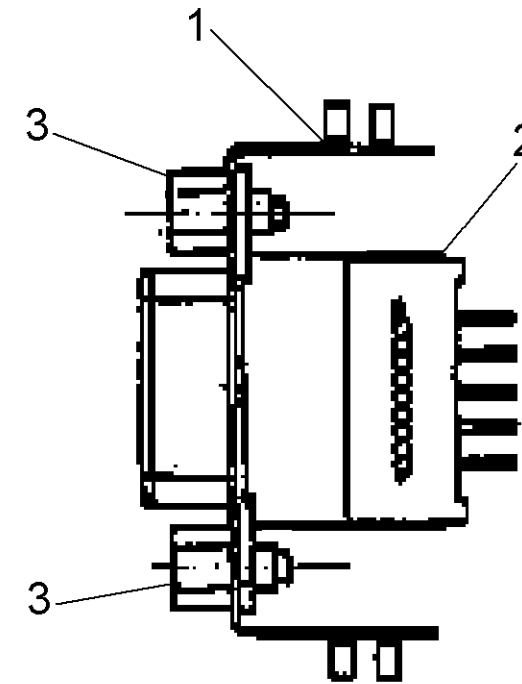
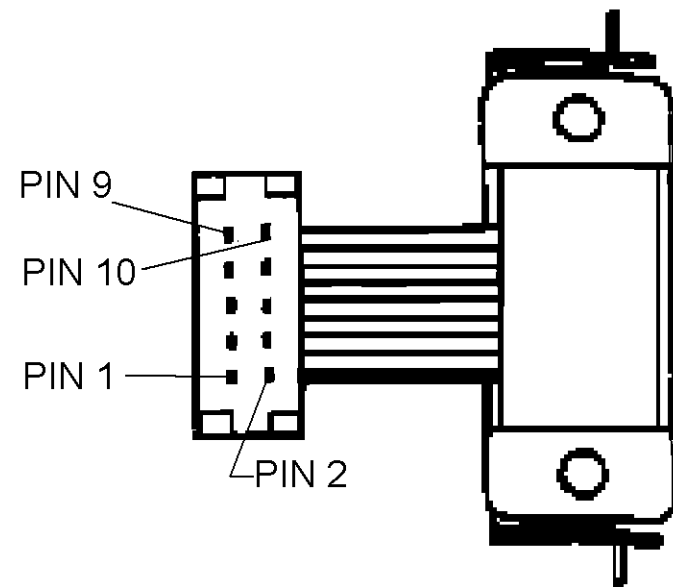
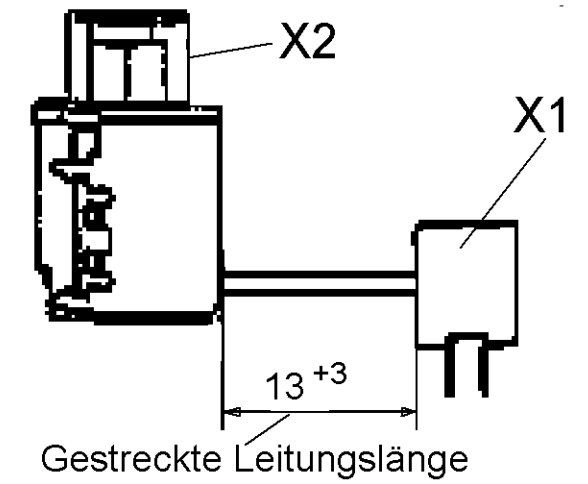


| LOC | DIST | REVISIONS | | | | | |
|-----|------|-----------|-----|-------------|----------|-----|------|
| A1 | - | P | LTR | DESCRIPTION | DATE | DWN | APVD |
| | | A1 | | NEW PART | 07.05.01 | M.S | G.F |

PRÜFKRITERIEN:

- 1 100% GEPRÜFT AUF DURCHGANG UND ISOLATION
PRÜFSPANNUNG 500V
- 2 PRÜFSTROM BEI ÜBERGANGSTEMPERATUR 20° C = 1A
- 3 ANZUGSMOMENT 50...60 NCM
- 4 UEBERDREHMOMENT FUER GEWINDEBUCHSE (POS.2) >80Ncm

Ader Nr.10 an Pos. X2 und an Pos. X1
Pin 10 nicht angeschlossen.



Ersetzt EC-Zeichnung V42256-S1909-A41-#-27

| 2 | 3 | 2-1393496-4 | C42334-A383-C911 | Gewindebolzen 4-40 |
|-------------------|----------------|--------------------|------------------|----------------------------|
| 1 | 2 | 1412995-1 | V42256-S1909-A42 | Leitung 9 polig |
| 1 | 1 | 1412994-1 | | Schirmblech |
| QUANTITY MENGE | ITEM NUMBER | TYCO - PART NUMBER | EC - PART NUMBER | DESIGNATION BEZEICHNUNG |

ACTIVE PART NUMBERS.
CONTACT TYCO ELECTRONICS FOR AVAILABILITY
OF OTHER CONFIGURATIONS)

| Old Part - Number | Tyco Part - Number | Kunden - Nr. |
|-------------------|--------------------|--------------|
| V42256-S1909-A41 | 0-1419153-1 | A5E0005086A1 |

| | | | | | |
|---|--|--|--------------|--|----------------------|
| <small>THIS DRAWING IS A CONTROLLED DOCUMENT FOR TYCO ELECTRONICS CORPORATION IT IS SUBJECT TO CHANGE AND THE CONTROLLING ENGINEERING ORGANIZATION SHOULD BE CONTACTED FOR THE LATEST REVISION.</small> | | DWN 07.05.01 M. SCHLEIHAUF CHK 07.06.01 G. Ackermann APVD 2.10.01 G. FEIDMEIER | | AMP Tyco Electronics AMP GmbH D - 67354 Speyer | |
| DIMENSIONS: mm | | TOLERANCES UNLESS OTHERWISE SPECIFIED: 0 PLC ± 1 PLC ± 2 PLC ± 3 PLC ± 4 PLC ± ANGLES ±° | | NAME RIBBON CABLE WITH SCREENING PLATE FLACHLEITUNG 9 POL. MIT SCHIRMBLECH | |
| MATERIAL - | | FINISH - | | PRODUCT SPEC - APPLICATION SPEC - WEIGHT - | |
| CUSTOMER DRAWING | | | SIZE A3 | CAGE CODE 00779 | DRAWING NO C-1419153 |
| SCALE 2:1 | | | SHEET 1 OF 1 | | REV A1 |