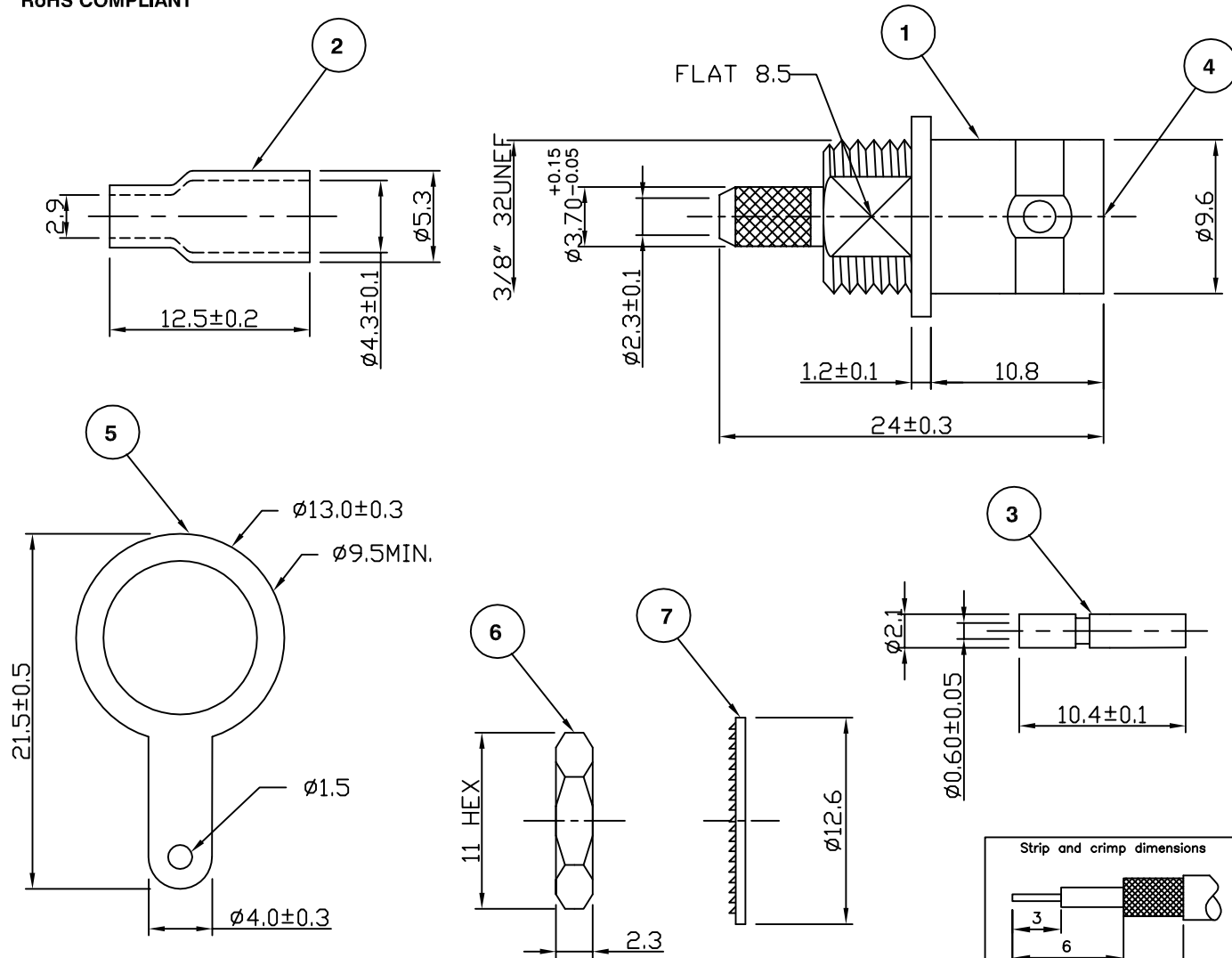


RoHS COMPLIANT



For stripping and assembly instructions see Drawing Number: VAIB6101

**Electrical Characteristics**

Nominal Impedance:	50 ohms
Frequency Range:	DC to 4 GHz
VSWR:	1.3:1 maximum
Insertion Loss:	0.2 dB at 3 GHz
Operating Voltage (rms):	500 V maximum at sea level
Dielectric Withstand Voltage (rms):	1500 V maximum at sea level
Contact Resistance:	1.5 milliohms maximum
Insulation Resistance:	5000 megohms minimum

**Mechanical Characteristics**

Mating Cycles:	500 cycles minimum
Interface Dimensions:	Conform to MIL-C-39012

**Environmental Characteristics**

Temperature Range:	-65 °C to +165 °C
--------------------	-------------------

PART	DESCRIPTION
1	Body Brass, nickel plated 2.54 µm
2	Ferrule Brass, nickel plated 2.54 µm
3	Contact Brass, gold plated 0.076 µm - 0.127 µm
4	Dielectric PTFE
5	Washer Brass, nickel plated 2.54 µm
6	Nut Brass, nickel plated 2.54 µm
7	Washer Steel, nickel plated 2.54 µm

Dimensional update on Item 5-Washer	JT	5	26 April 10
Strip & Crimp Dims Added	MS	4	25 Aug 09
Updated Dimensions	LB	3	23 June 09
CAD Issue	SN	2	24 Jan 02
First Issue	AT	1	13 Oct 95
DESCRIPTION OF REVISION	APPVD	ISS	DATE



Cinch Connectivity Solutions  
7-13 Russel Way,  
Widford Industrial Estate,  
Chelmsford, Essex,  
CM1 3AA, UK.  
Tel: +44 (0) 1245 359515  
Fax: +44 (0) 1245 358938

SCALE: Not To Scale

DIMENSIONS: mm

TOLERANCES:  
± 0.2mm unless  
otherwise stated

DRAWN BY:	S Nash
CHECKED BY:	S Nash
APPROVED BY:	G Dalton
DATE:	24 Jan 02

TITLE:  
BNC Crimp Panel Mount Jack  
(front entry) for RG174

PART NUMBER:  
**VB60-2071**

PAGE: 1 of 1