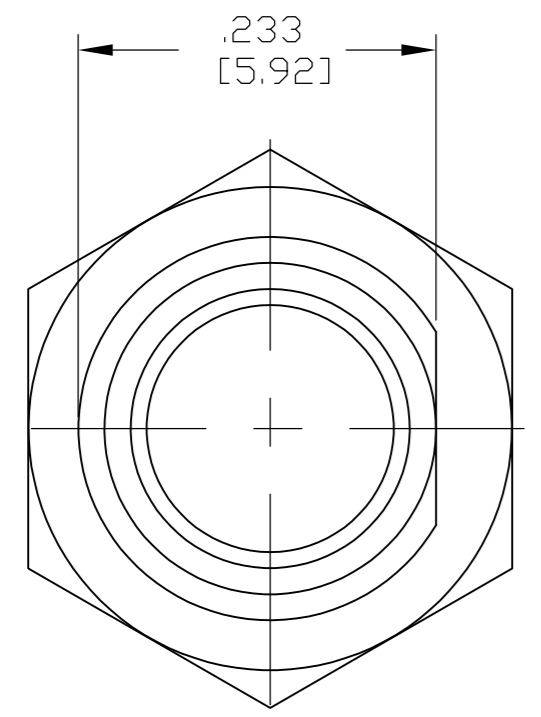


THIS DRAWING IS UNPUBLISHED. RELEASED FOR PUBLICATION N/A .N/A .  
 © COPYRIGHT N/A BY TYCO ELECTRONICS CORPORATION. ALL INTERNATIONAL RIGHTS RESERVED.

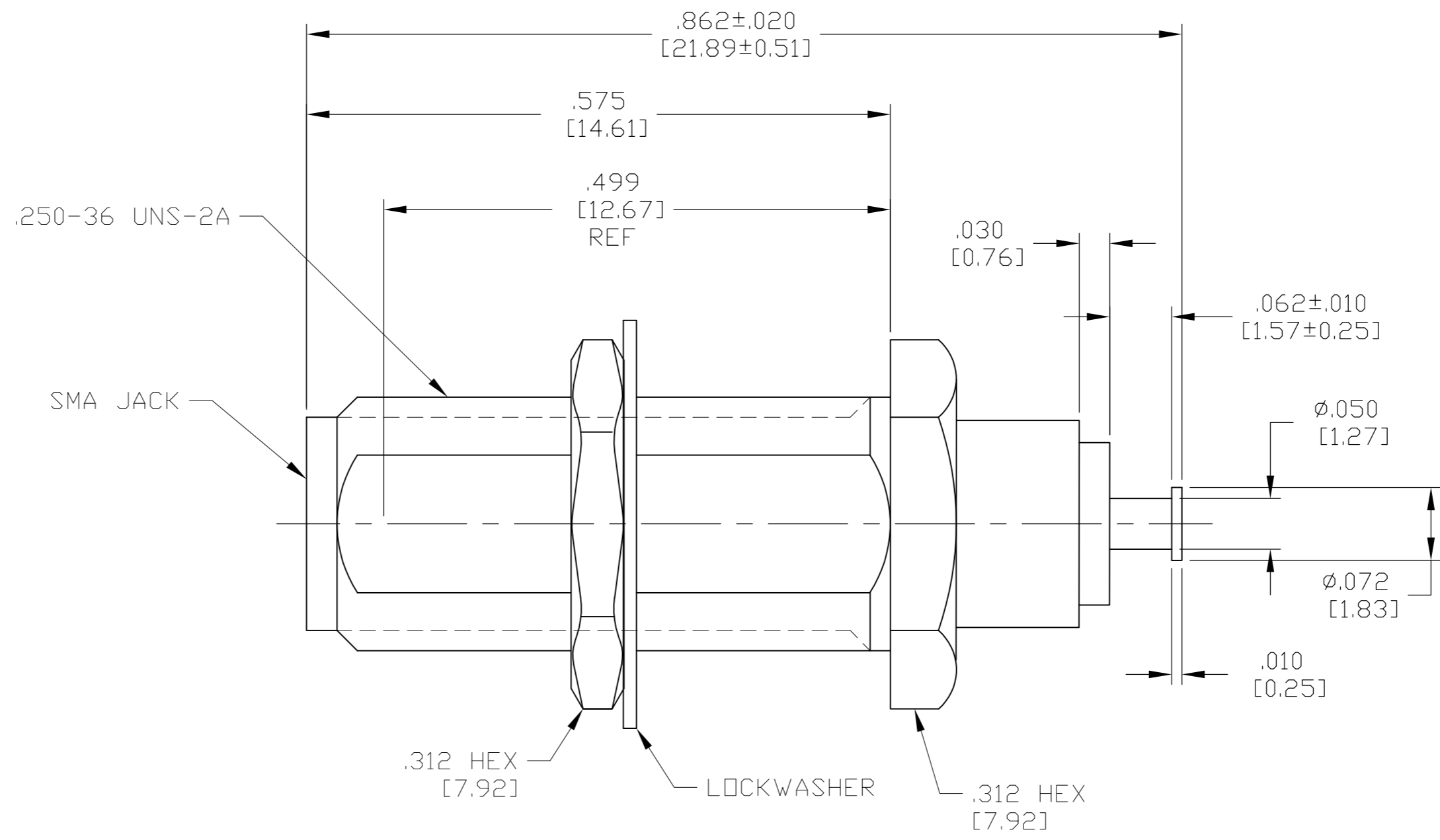
LOC	DIST	REVISIONS					
DF	X0	P	LTR	DESCRIPTION	DATE	DWN	APVD
		B		REV PER ECO-11-005339	16MAR11	PY	DW

COMPONENT	MATERIAL	FINISH
HOUSING LOCKWASHER MOUNTING NUT	STAINLESS STEEL PER ASTM-A-484 OR ASTM-A-582 TYPE 303	GOLD PLATE PER ASTM-B-488 OVER NICKEL PER QQ-N-290
DIELECTRIC	PTFE FLUORCARBON PER ASTM-D-1457	-
CENTER CONTACT	BERYLLIUM COPPER PER ASTM-B-196 ALLOY 173, CONDITION H	GOLD PLATED PER ASTM-B-488 OVER COPPER PER MIL-C-14550

1. CAPTURED CENTER CONTACT.



VIEW SHOWN WITHOUT  
HEX NUT & LOCKWASHER



WARNING: THIS DOCUMENT CONTAINS TECHNICAL DATA WHOSE EXPORT IS RESTRICTED BY THE ARMS EXPORT CONTROL ACT (TITLE 22, U.S.C. SECTION 2751, ET SEQ.) OR THE EXPORT ADMINISTRATION ACT OF 1979, AS AMENDED (TITLE 50, U.S.C., APP. 2401 ET SEQ.) VIOLATIONS OF THESE EXPORT LAWS ARE SUBJECT TO SEVERE PENALTIES.

THIS DRAWING IS A CONTROLLED DOCUMENT.		DWN C.C.THOMAS 7-19-02	Tyco Electronics Corporation Harrisburg, PA 17105-3608	
DIMENSIONS: INCHES		CHK F.BLASICK 7-19-02	NAME -	
TOLERANCES UNLESS OTHERWISE SPECIFIED: 0 PLC ± - 1 PLC ± - 2 PLC ± - 3 PLC ± .005 [0.13] 4 PLC ± - ANGLES ± 1°		APVD F.BLASICK 7-19-02	PRODUCT SPEC -	
MATERIAL SEE TABLE		FINISH SEE TABLE	APPLICATION SPEC -	RESTRICTED TO -
WEIGHT TBD		SIZE A2	CAGE CODE 00779	DRAWING NO C-1484875
CUSTOMER DRAWING		SCALE 8:1	SHEET 1 of 1	REV B

1484875-1  
PART NO.