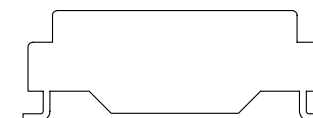
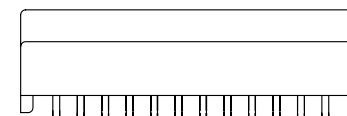
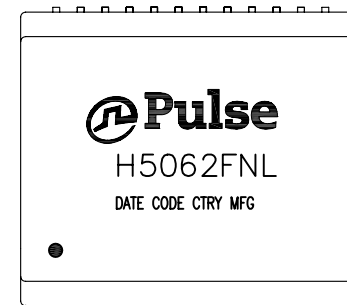


NOTES:

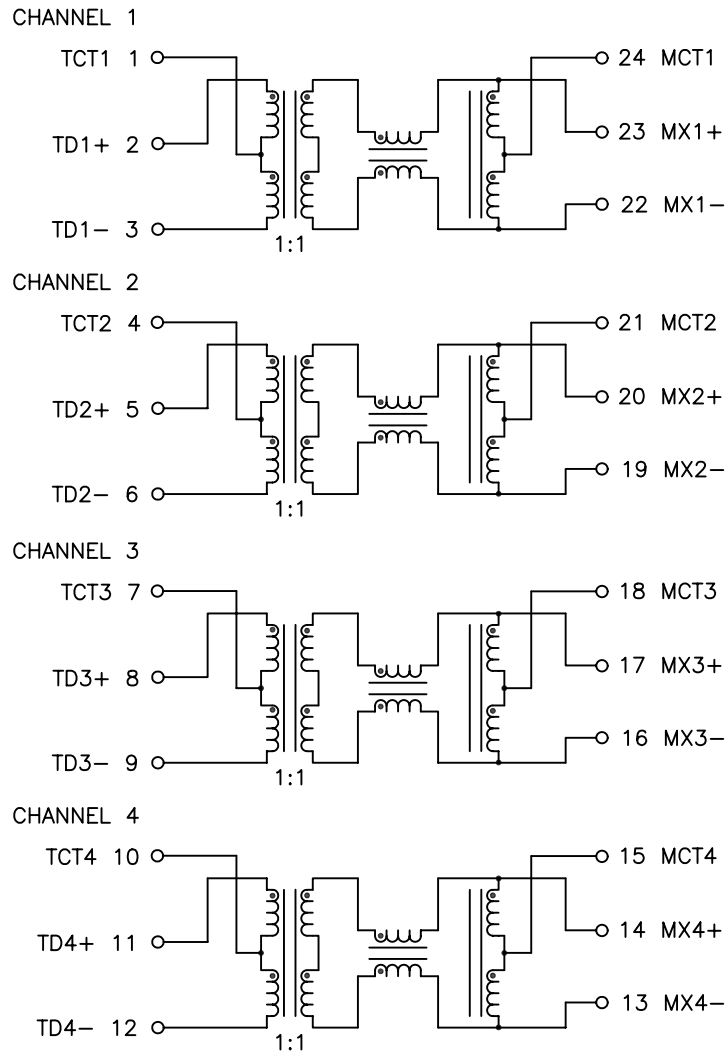
1. ROHS COMPLIANT
2. HEADER: DAP (DIALLYL PHTHALATE) WITH FLAMMABILITY RATING UL 94V-0 OR BETTER.
3. STORAGE TEMPERATURE: -20°C TO +125°C
4. COMPLIANCE TO J-STD:
  - A. J-STD-002: SOLDERABILITY AT 245°C REFLOW PROFILE
  - B. J-STD-020: LEVEL 1, NO MOISTURE SENSITIVE
  - C. J-STD-075: R7, 245°C MAXIMUM THROUGH REFLOW SOLDER
5. TO ORDER TAPE & REEL PACKAGING ADD A "T" SUFFIX TO THE PART NUMBER(i.e H5062FNL BECOMES H5062FNLT).



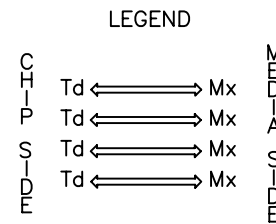
FINAL OUTLINE

© Copyright, 2014. Pulse Electronics Corp. All rights reserved. Pulse confidential & proprietary. (06/30/14)

| PRODUCT DESCRIPTION   | TLA DRAWING | PS DRAWING    | SHEET  | PART NO. | DATASHEET REV. |
|-----------------------|-------------|---------------|--------|----------|----------------|
| MDL,SIN,1GD,1:1,SM,TU | H5062FNL-10 | PS-2597.001-C | 1 OF 3 | H5062FNL | A              |



SCHEMATIC



ALL CHANNELS ARE IN PHASE BETWEEN INPUT AND OUTPUT

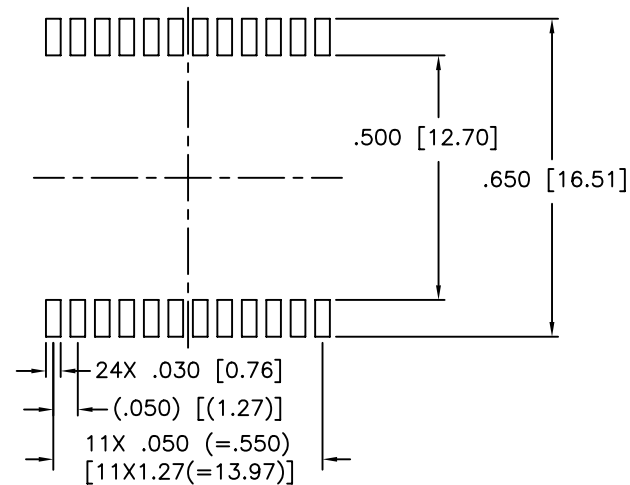
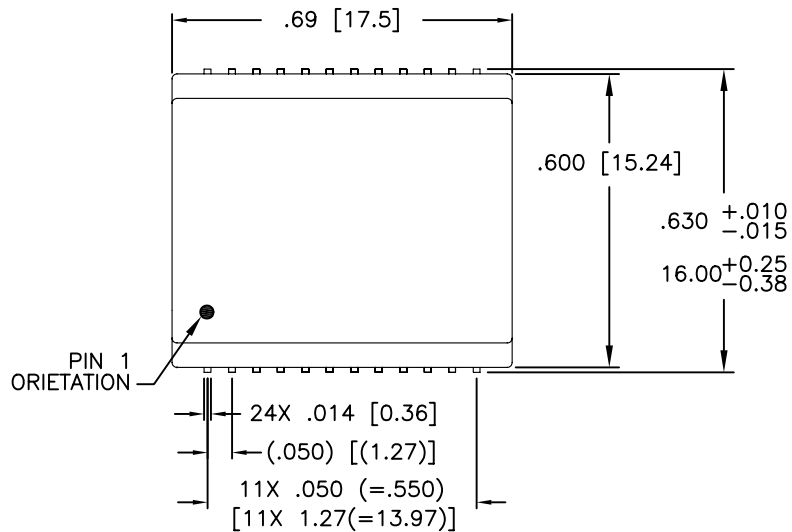
ELECTRICAL CHARACTERISTICS AT +25°C UNLESS OTHER SPECIFIED  
MEETS IEEE 802.3 SPECIFICATION

| PARAMETER                                  | SPECIFICATIONS   |  |
|--|--|--|
| OPERATING TEMP                             | 0°C – 70 °C  |  |
| TURNS RATIO                                | 1 : 1 ±2%  |  |
| POLARITY                                   | PER SCHEMATIC  |  |
| INSERTION LOSS                             | 100 KHz  | 1–125 MHz                                  |
|  | –1.2 dB MAX  | –0.2–0.002*f <sup>1.4</sup> dB MAX         |
| RETURN LOSS<br>(Z OUT = 100 OHM ±15%)      | .1–40 MHz  | 40–100 MHz                                 |
|  | –16 dB MIN   | –10+20*LOG <sub>10</sub> (f/80 MHz) dB MIN |
| INDUCTANCE (OCL)<br>(MEDIA SIDE, 0°C–70°C) | 350 uH MIN (MEASURED AT 100 KHz, 100 mVRMS)<br>(AND WITH 8 mA DC BIAS) |  |
| CROSSTALK, ADJACENT CHANNELS               | 1 MHz  | 10–100 MHz                                 |
|  | –50 dB MIN   | –55+22*LOG <sub>10</sub> (f/10) dB MIN     |
| COMMON MODE REJECTION RATIO                | 2 MHz  | 30–200 MHz                                 |
|  | –50 dB MIN   | –15+20*LOG <sub>10</sub> (f/200) dB MIN    |
| DC RESISTANCE, 1/2 WINDING                 | .65 OHMS MAX   |  |
| DC RESISTANCE IMBALANCE                    | ±.065 OHMS MAX (CENTER TAP SYMMETRY)                                   |  |
| INPUT – OUTPUT ISOLATION                   | 1500 VRMS MIN @ 60 SECONDS   |  |

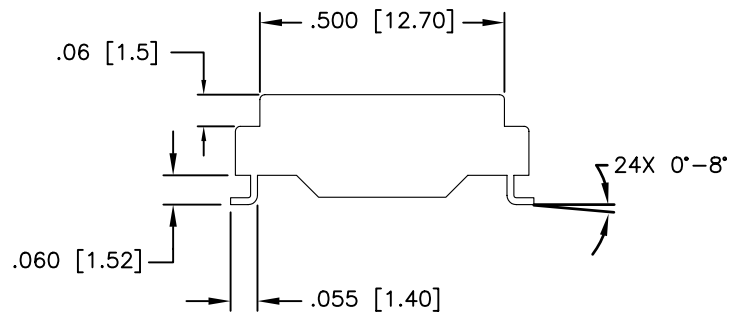
NOTE: f IS FREQUENCY IN MHz.

© Copyright, 2014. Pulse Electronics Corp. All rights reserved. Pulse confidential & proprietary. (06/30/14)

| PRODUCT DESCRIPTION   | TLA DRAWING | PS DRAWING    | SHEET  | PART NO. | DATASHEET REV. |
|-----------------------|-------------|---------------|--------|----------|----------------|
| MDL,SIN,1GD,1:1,SM,TU | H5062FNL-10 | PS-2597.001-C | 2 OF 3 | H5062FNL | A              |



SUGGESTED LAND PATTERN



DIMENSIONS ARE IN INCHES [MILLIMETERS] WITH THE FOLLOWING TOLERANCES: [MILLIMETERS] ARE FOR REFERENCE ONLY.  
.XX=  $\pm$ .01 [ $\pm$ 0.25]  
.XXX=  $\pm$ .005 [ $\pm$ 0.13]

© Copyright, 2014. Pulse Electronics Corp. All rights reserved. Pulse confidential & proprietary. (06/30/14)

| PRODUCT DESCRIPTION   | TLA DRAWING | PS DRAWING    | SHEET  | PART NO. | DATASHEET REV. |
|-----------------------|-------------|---------------|--------|----------|----------------|
| MDL,SIN,1GD,1:1,SM,TU | H5062FNL-10 | PS-2597.001-C | 3 OF 3 | H5062FNL | A              |