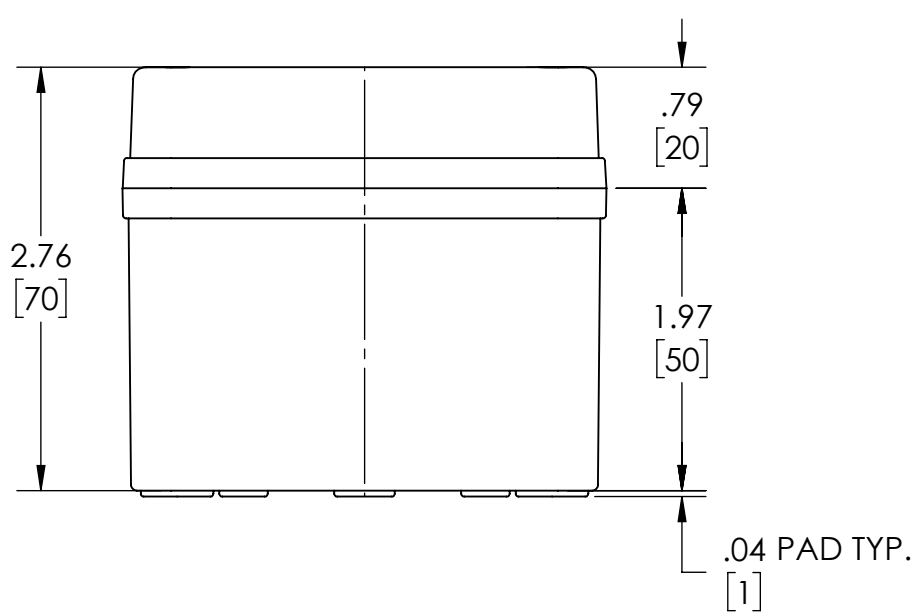
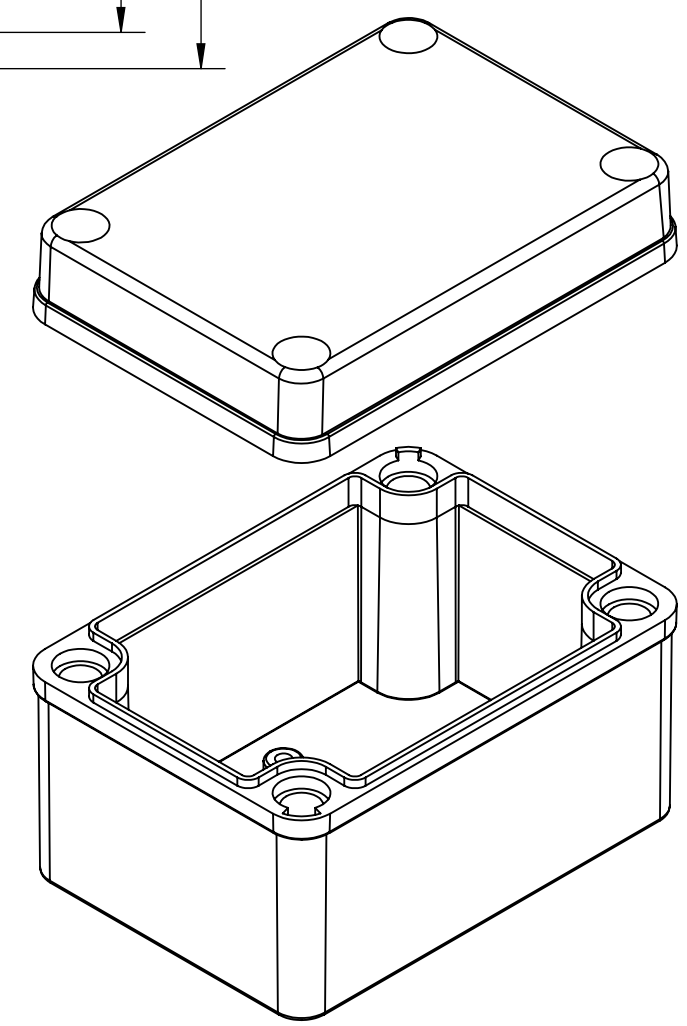
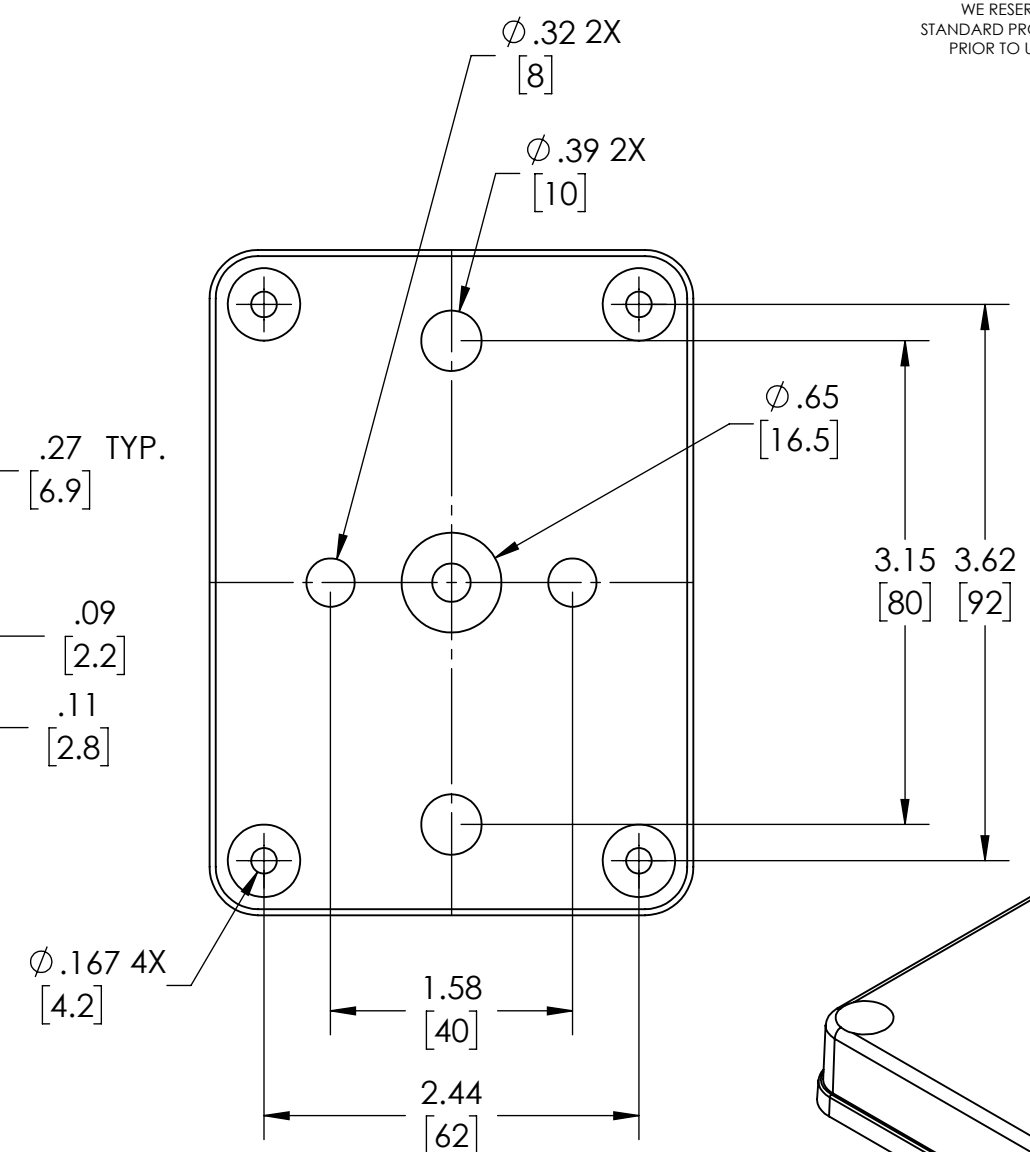
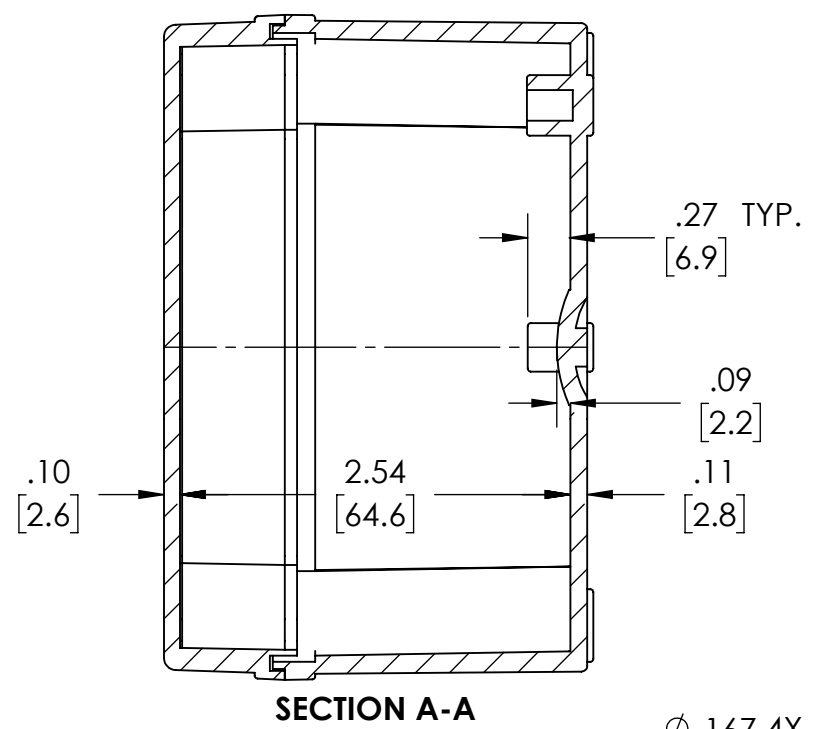
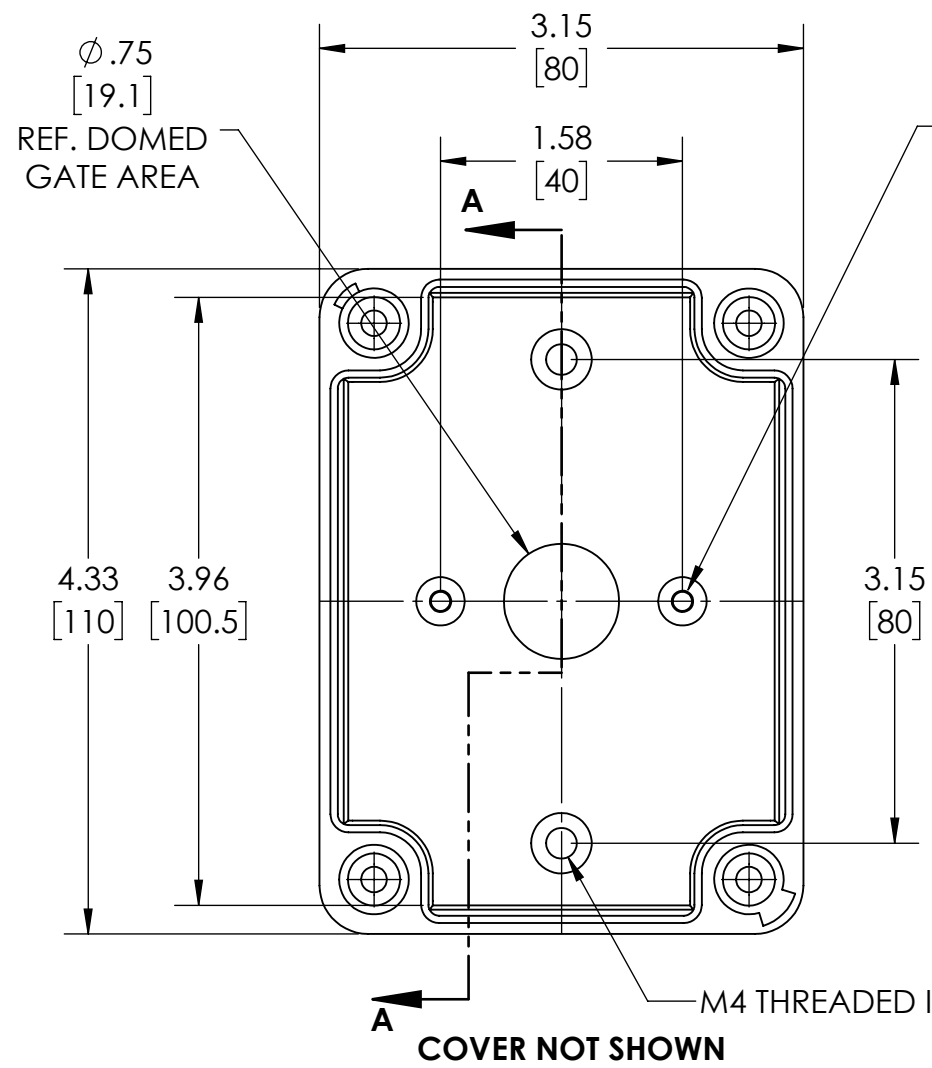


DRAWING FOR REFERENCE
 WE RESERVE THE RIGHT TO MAKE CHANGES TO OUR STANDARD PRODUCTS. PLEASE CONSULT WITH BUD INDUSTRIES PRIOR TO USING THIS DRAWING FOR DESIGN PURPOSE.



- NOTES:
- 1- MATERIAL: BODY - POLYCARBONATE WITH 10% FIBERGLASS
COVER - POLYCARBONATE
 - 2- COLOR: NO SUFFIX - GRAY BODY & GRAY COVER
(-C) SUFFIX - GRAY BODY & CLEAR COVER
 - 3- COVER ATTACHES WITH NON-METALLIC CAPTIVE SCREWS
1.4" [36.5mm] LENGTH (ITEMS NOT SHOWN)
GASKET IS INSTALLED IN COVER
 - 4- SUPPLIED WITH TWO M4 x 8mm LG. PAN HEAD SCREWS
(ITEMS NOT SHOWN)
 - 5- DIMENSIONS ARE INCH [MM]
- OPTIONAL ACCESSORIES:
 STEEL INTERNAL PANEL #PTX-25308
 PLASTIC INTERNAL PANEL #PTX-25308-P
 STEEL EXTERNAL BRACKET #NBX-10922
 PLASTIC EXTERNAL BRACKET #PIX-4117