

VeriSense™ 3000 Temperature Sensors

The VeriSense™ 3000 series is part of Airpax's growing line of standard temperature sensors. An ideal solution for monitoring and regulating temperature in equipment and processes, the VeriSense™ 3000 offers the choice of thermistor, RTD or Integrated Circuit temperature sensing technology.

The Right Temperature Sensing Technology:

Since no single technology is optimal for every application, the VeriSense™ 3000 offers several thermal-sensing options from which to choose. **Thermistor, RTD or Integrated Circuit** sensing elements are available. Each of these technologies offers unique advantages. Airpax experts can help select the right temperature sensing technology for a specific application.

The Right Sensor Assembly:

The VeriSense™ 3000 offers the advantage of today's best temperature sensing technology in standard, low-cost probe assemblies that ensure the technology performs accurately and reliably in demanding applications. Whether **surface, liquid, or ambient air** sensing is required, the VeriSense 3000 offers an optimal probe assembly. Flexible leads suitable for welding or soldering provide reliable connections and greater access to remote locations.

AIRPAX® TSP



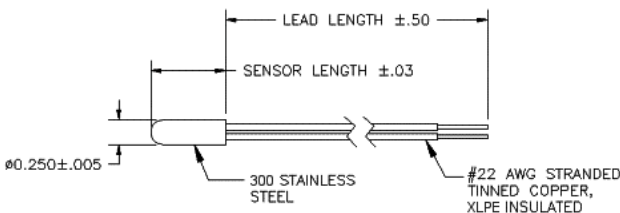
The VeriSense™ 3000 offers today's best temperature sensing technologies in standard probe assemblies that function in the most demanding applications. Accurate, reliable and affordable, Airpax's 3000 series temperature sensors are the right solution for thermal management in equipment and processes.


AIRPAX

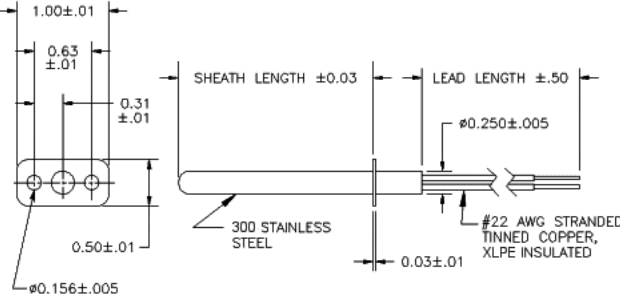
www.airpax.net


© Copyright 2004 Airpax. All rights reserved. 00100 12/04

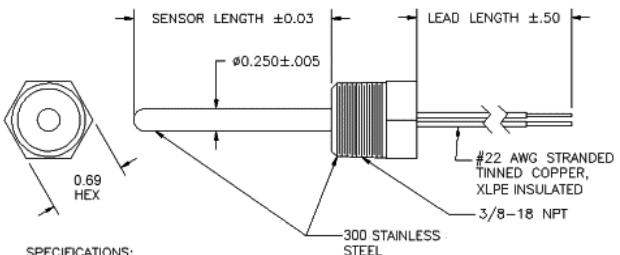
PACKAGE SPECIFICATIONS – VERISENSE™ 3000 SERIES

3000 A Series	
Body Type: Straight Probe	
Body Material: 300 Stainless Steel	
Wire: #22 AWG Stranded, XLPE Insulated	
Temperature Exposure Limits: -40°C to 125°C (Sensor Codes 10, 11, 15, 30, and 31)	
Temperature Exposure Limits (Range 2): 0°C to 100°C (Sensor Code 20)	
Temperature Exposure Limits (Range 3): -25°C to 85°C (Sensor Code 21)	




3000 B Series	
Body Type: Flange Mount Probe	
Body Material: 300 Stainless Steel	
Wire: #22 AWG Stranded, XLPE Insulated	
Temperature Exposure Limits: -40°C to 125°C (Sensor Codes 10, 11, 15, 30, and 31)	
Temperature Exposure Limits (Range 2): 0°C to 100°C (Sensor Code 20)	
Temperature Exposure Limits (Range 3): -25°C to 85°C (Sensor Code 21)	



3000 C Series	
Body Type: 3/8"-18 NPT Threaded Probe	
Body Material: 300 Stainless Steel	
Wire: #22 AWG Stranded, XLPE Insulated	
Temperature Exposure Limits: -40°C to 125°C (Sensor Codes 10, 11, 15, 30, and 31)	
Temperature Exposure Limits (Range 2): 0°C to 100°C (Sensor Code 20)	
Temperature Exposure Limits (Range 3): -25°C to 85°C (Sensor Code 21)	

SPECIFICATIONS:

- 1) TEMPERATURE RANGE: SEE TABLE.
- 2) SENSOR INPUT: SEE TABLE.
- 3) SENSOR ACCURACY: SEE TABLE.



Selection Code Chart

3 X X X X X X X

Basic Product Series: _____

Package Type: _____

- A = Straight Probe
- B = Flange Mount Probe
- C = 3/8"-18 NPT Threaded Probe
- D = Air Probe
- E = Bolt
- F = 1/2"-14 NPT Threaded Probe

Probe (Sheath) Length: _____

- XX = Sheath Length in half inches
(1.0" length minimum, XX = 02)
- Example: Need 1.5" total length
1.5" divided by 0.5" = 03
- XX = 03

Sensor Specification: _____

Code	Sensor
10	100 ohms ± 0.06% Platinum RTD, 0.00385 Temp Coefficient
11	100 ohms ± 0.12% Platinum RTD, 0.00385 Temp Coefficient
15	1,000 ohms ± 1.2% Platinum RTD, 0.00385 Temp Coefficient **
20	Voltage Output, 0.000 Volts at 0°C, 10 mV per °C Resolution (IC) **
21	Voltage Output, 0.600 Volts at 0°C, 10 mV per °C Resolution (IC) **
30	Resistance Output, 1,000 Ohms at 25°C, ±1.3°C at 25°C (PTC Thermistor) **
31	Resistance Output, 10,000 Ohms at 25°C, ±0.2°C at 0°C to 70°C (NTC Thermistor)
ZZ	Consult Factory

** These sensors not available with body sizes D or E

Number of Wires: (see schematic diagrams for color codes) _____

Code	Sensor
2	2 Wires (Sensors Specifications - Codes 10, 11, 15, 30, and 31)
3	3 Wires (Sensors Specifications - Codes 10, 11, 15, 20, and 21)
4	4 Wires (Sensors Specifications - Codes 10, 11, and 15)

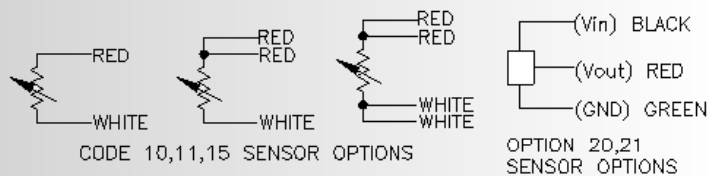
Lead Length: _____

- XX = Lead Length in Inches
(6.0" length minimum, XX = 06)
- Example: Need 24" total length
XX = 24

Lead Termination: _____

Code	Sensor
A	Cut and Stripped
Z	Consult Factory

Wire Color Code



SCHEMATIC DIAGRAM

Example PN:

3C 04 20 3 12 A

3000 Series, 3/8" NPT probe, 2" Probe, 0 V at 0°C Voltage Output Sensor, 3 Wires, 12" Leads, Cut and Stripped Termination

AIRPAX
www.airpax.net

© Copyright 2004 Airpax. All rights reserved. 00100 12/04

AIRPAX CORPORATION · Thermal Sensing Products
550 Highland Street · Frederick, MD 21701 · USA
Phone: 301.663.5141 · Fax: 301.698.0624 · www.airpax.net