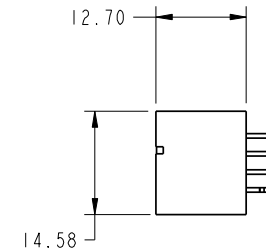
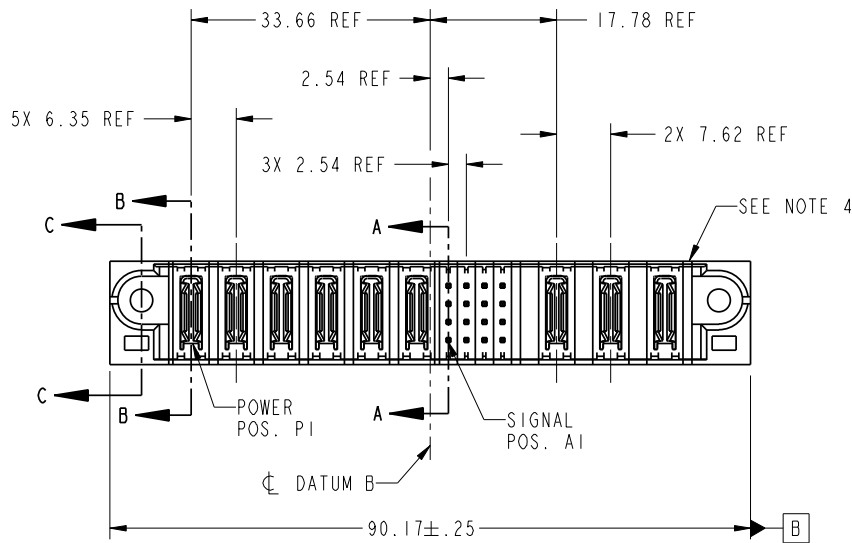


Tous droits strictement reserves. Reproduction ou communication a des tiers interdite sous quelque forme que ce soit sans autorisation écrite du propriétaire. Propriete de c FCI. Droits de reproduction FCI.



All rights strictly reserved. Reproduction or issue to third parties in any form whatever is not permitted without written authority from the proprietor. Property of FCI. Copyright FCI.

PRODUCT NO.	ROWS	POWER					SIGNAL				POWER			E2
		E1	P1	P2	P3	P4	P5	P6	1	2	3	4	P7	
51952-107-- NOTE ③	0 UBA													



CODE	DIM "M" MATING LENGTH	CONTACT TYPE
PA	N/A [N/A]	POWER
E	.270 [6.86]	SIGNAL
HA	N/A [N/A]	HOLD-DOWN

mat'l code				tolerances unless otherwise specified			CUSTOMER	
lfr	ecn no.	dr	date	linear	0.X ± 0.3		COPY	
A	DG06-0514	RYAN	12/07/06		0.XX ± 0.13		projection	
				angles	0.XXX ± 0.050			
				dr	RYUAN YUAN	11/24/06	MM	
				enrg	RYAN YUAN	12/07/06	scale	
				chr	BEER FU	11/24/06	1:1	
				appd	JOSEPH HSIA	11/24/06		
sheet index	revision	A	A	A	A			
	sheet	1	2	3	4			

**CONFIDENTIAL**

**FCI** www.fciconnect.com

title 6P + 16S + 3ACP  
VERTICAL STB HEADER

product family PwrBlade code 213

size dwg no 51952-107 sheet 1 of 4

cage code 22526

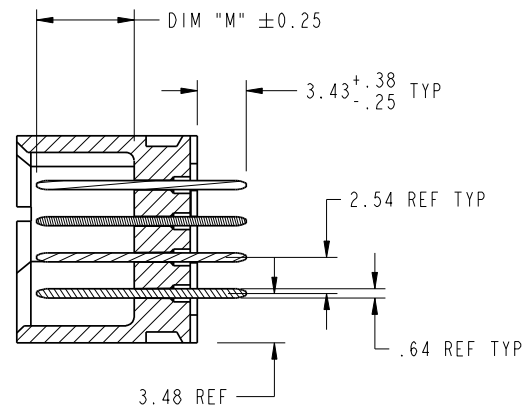
Pro/E

Tous droits strictement reserves. Reproduction ou communication a des tiers interdite sous quelque forme que ce soit sans autorisation ecrite du proprietaire. Propriete de c FCI. Droits de reproduction FCI.

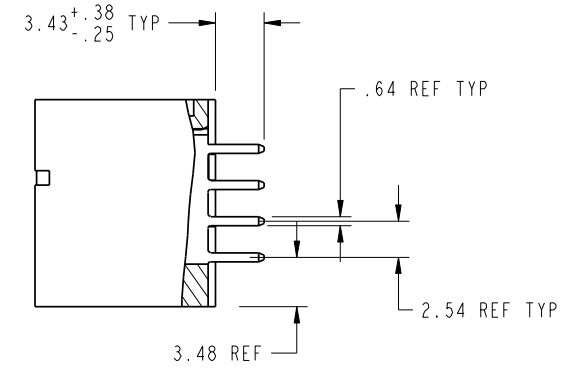


All rights strictly reserved. Reproduction or issue to third parties in any form whatever is not permitted without written authority from the proprietor. Property of FCI. Copyright FCI.

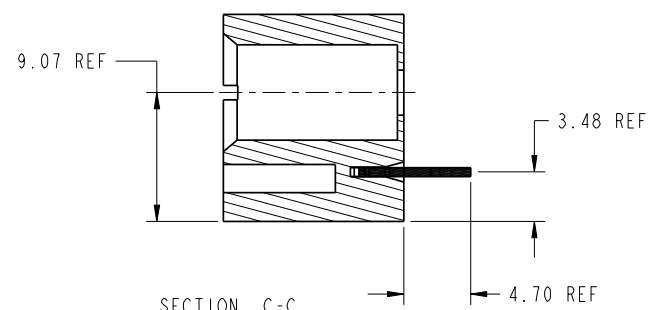
PRODUCT NUMBER  
51952-107\_\_  
NOTE 3



SECTION A-A  
SCALE 2:1



SECTION B-B  
SCALE 2:1



SECTION C-C  
SCALE 2:1

CONFIDENTIAL

mat'l code				tolerances unless otherwise specified		CUSTOMER		FCI		www.fciconnect.com		
lfr	ecr no.	dr	date	linear	0.X ±0.3	COPY		projection		title		
A					0.XX ±0.13			6P + 16S + 3ACP		VERTICAL STB HEADER		
				angles	0.XXX ±0.050			product family		PwrBlade		
				dr	0° ±2°			size		code		
				enr		MM		dwg no		213		
				chr	RYUAN YUAN 11/24/06	scale		51952-107		sheet		
				appd	RYAN YUAN 12/07/06	1:1		A		2 of 4		
					BEER FU 11/24/06							
					JOSEPH HSIA 11/24/06							
sheet index	revision sheet											

cage code 22526

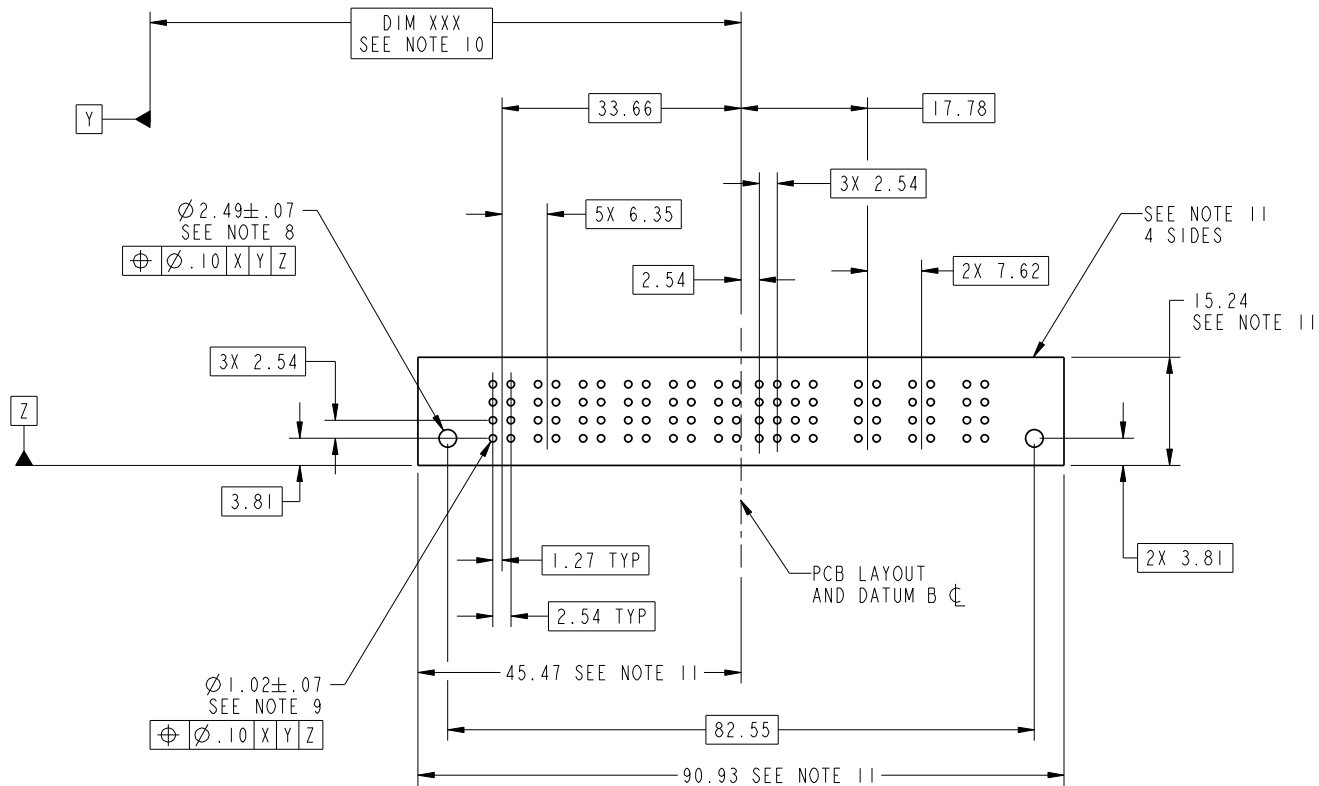
Pro/E

Tous droits strictement réservés. Reproduction ou communication a des tiers interdite sous quelque forme que ce soit sans autorisation écrite du propriétaire. Propriété de c FCI. Droits de reproduction FCI.



All rights strictly reserved. Reproduction or issue to third parties in any form whatever is not permitted without written authority from the proprietor. Property of FCI. Copyright FCI.

PRODUCT NUMBER  
51952-107\_\_  
NOTE 3



CONFIDENTIAL

mat'l code				tolerances unless otherwise specified		CUSTOMER		FCI	
lfr	ecn no.	dr	date	linear	0.X ± 0.3	COPY	www.fciconnect.com		
A					0.XX ± 0.13	projection	title		
				angles	0.XXX ± 0.050		6P + 16S + 3ACP		
				dr	0° ± 2°		VERTICAL STB HEADER		
				enr	RYUAN YUAN 11/24/06	scale	product family	PwrBlade	code
				chr	RYAN YUAN 12/07/06	1:1	size	dwg no	213
				appd	BEER FU 11/24/06		A	51952-107	sheet
					JOSEPH HSIA 11/24/06				3 of 4
sheet index	revision sheet								

cage code 22526

Pro/E

Tous droits strictement reserves. Reproduction ou communication a des tiers interdite sous quelque forme que ce soit sans autorisation ecrite du proprietaire. Propriete de c FCI. Droits de reproduction FCI.



All rights strictly reserved. Reproduction or issue to third parties in any form whatever is not permitted without written authority from the proprietor. Property of FCI. Copyright FCI.

1 | 2

3 |

4

PRODUCT NUMBER

51952-107\_\_  
NOTE 3

NOTES:

1. DIMENSIONS AND TOLERANCES ARE IN ACCORDANCE WITH ASME Y14.5M, 1994 UNLESS OTHERWISE SPECIFIED.

CONNECTOR NOTES:

- 2 HOUSING MATERIAL: UL 94 V-0 GLASS FILLED  
HIGH-TEMP THERMOPLASTIC  
POWER CONTACT MATERIAL: COPPER ALLOY  
SIGNAL PIN MATERIAL: COPPER ALLOY
  - 3. PLATING:  
51952-107 ,51952-107LF PLATING SPEC. WAS SHOWN IN THE PRINT OF 10064183.
  - 4 MANUFACTURER'S NAME, P/N, AND DATE CODE TO APPEAR ON THIS SURFACE.
  - 5. PRODUCT SPECIFICATION GS-12-149.  
APPLICATION SPECIFICATION BUS-20-067.
  - 6. PACKAGED IN TRAYS.
- PCB NOTES:
- 7. ALL HOLE DIAMETERS ARE FINISHED HOLE SIZE.
  - 8. MOUNTING HOLES, WHERE APPLICABLE, ARE UNPLATED.
  - 9  $\varnothing 1.151 \pm 0.025$  DRILLED HOLES PLATED WITH  
0.008 MIN SnPb OVER .001 [0.03]  
TO 0.08 Cu PLATING TO ACHIEVE  
 $\varnothing 1.02 \pm .07$  HOLE.
  - 10 "DIM XXX" TO BE DETERMINED BY THE CUSTOMER.
  - 11 CONNECTOR KEEP-OUT ZONE.

A

A

B

B

CONFIDENTIAL

mat'l code				tolerances unless otherwise specified		CUSTOMER		FCI	
lfr	ecm no.	dr	date	linear	0.X ± 0.3	COPY		www.fciconnect.com	
A				linear	0.XX ± 0.13	projection	title		
				angles	0.XXX ± 0.050		6P + 16S + 3ACP VERTICAL STB HEADER		
				dr	RYUAN YUAN 11/24/06		product family	PwrBlade	code
				enrg	RYAN YUAN 12/07/06	scale	size	dwg no	213
				chr	BEER FU 11/24/06	1:1	A	51952-107	sheet
				appd	JOSEPH HSIA 11/24/06				4 of 4
sheet index	revision sheet								

1 | 2

3 |

4

Pro/E

cage code 22526