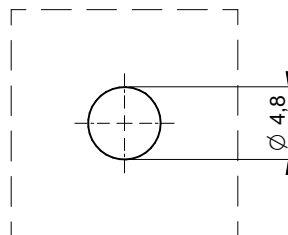
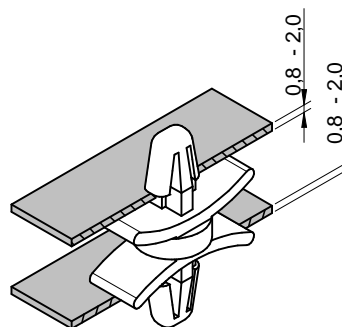


Hole Pattern



Panel Thickness



Order Code	L (mm)
709 613 200	4.8 ± 0.2
709 613 400	6.4 ± 0.3
709 613 600	9.5 ± 0.3
709 613 800	12.7 ± 0.3
709 614 000	15.9 ± 0.3
709 614 200	19.1 ± 0.3
709 614 400	22.22 ± 0.4

Operating Temperature: -30°C up to +85°C
 Flammability according to: UL94 V-2

				Würth Elektronik eiSos GmbH & Co. KG EMC & Inductive Solutions	CREATED DaF	CHECKED SKI	GENERAL TOLERANCE DIN ISO 2768-1m	PROJECTION METHOD		SIZE A4
				Max-Eyth-Str. 1 74638 Waldenburg Germany com. +49 79 42 945 - 0	DESCRIPTION AsSNSN Snap-on stop spacer, arresting on both sides			TECHNICAL REFERENCE	MATERIAL Nylon 66, natural	
				www.we-online.de eiSos@we-online.de	SIZE xxx xxx xxx	WEIGHT	STATUS Released	DATE 2017-03-21	BUSINESS UNIT eiCan	PAGE 1 / 1
REV.	FILE	DATE	BY		ORDER CODE 709 613 xxx / 709 614 xxx					



This electronic component has been designed and developed for usage in general electronic equipment only. This product is not authorized for use in equipment where a higher safety standard and reliability standard is especially required or where a failure of the product is reasonably expected to cause severe personal injury or death, unless the parties have executed an agreement specifically governing such use. Moreover Würth Elektronik eiSos GmbH & Co KG products are neither designed nor intended for use in areas such as military, aerospace, aviation, nuclear control, submarine, transportation (automotive control, train control, ship control), transportation signal, disaster prevention, medical, public information network etc.. Würth Elektronik eiSos GmbH & Co KG must be informed about the intent of such usage before the design-in stage. In addition, sufficient reliability evaluation checks for safety must be performed on every electronic component which is used in electrical circuits that require high safety and reliability functions or performance.