

### General Description

The AAT4280A SmartSwitch is a member of Skyworks' Application Specific Power MOSFET (ASPM™) product family. The AAT4280A is a P-channel MOSFET power switch designed for high-side load switching applications. The device has a typical  $R_{DS(ON)}$  of 80mΩ, allowing increased load switch power handling capacity. The device is available in three different versions with flexible turn-on and turn-off characteristics - from very fast to slew rate limited. The standard AAT4280A (-1) version has a slew rate limited turn-on load switch and is functionally compatible with the AAT4250 device, while offering superior  $R_{DS(ON)}$  characteristics. The AAT4280A (-2) version features fast load switch turn-on capabilities, typically less than 500ns turn-on and 3μs turn-off times. The AAT4280A (-3) variation offers a shutdown load discharge circuit to rapidly turn off a load circuit when the switch is disabled. The AAT4280A (-4) version features the slowest load switch turn-on capability, typically greater than 4.0ms turn-on time. All AAT4280A load switch versions operate with an input voltage ranging from 1.5V to 5.5V, making them ideal for both 3V and 5V systems. Input logic levels are TTL and 2.5V to 5V CMOS compatible. The quiescent supply current is very low, typically 25nA.

The AAT4280A is available in the Pb-free 8-pin SC70JW, 6-pin SOT23, and WLCSP-5 packages and is specified over the -40°C to +85°C temperature range.

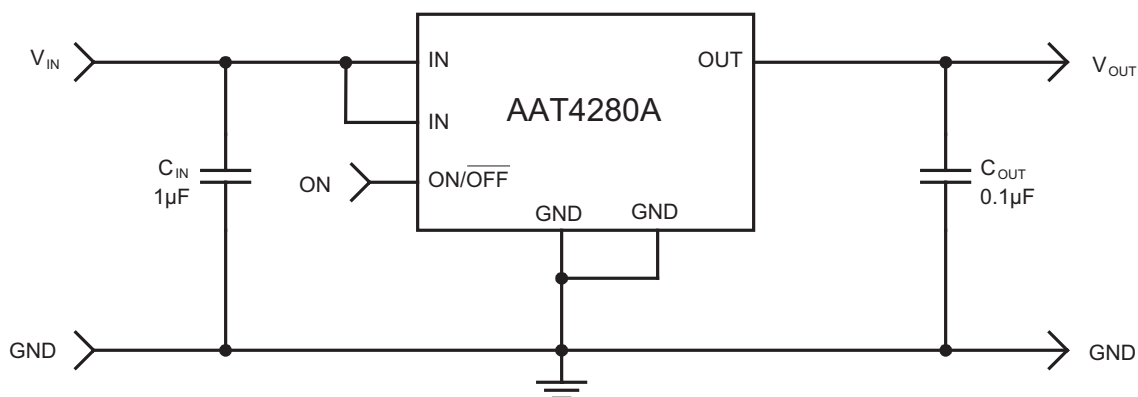
### Features

- 1.5V to 5.5V Input Voltage Range
- Very Low  $R_{DS(ON)}$ , Typically 80mΩ (5V)
- Slew Rate Limited Turn-On Time Options
  - 4.5ms
  - 1ms
  - 0.5μs
  - 100μs
- Fast Shutdown Load Discharge Option
- Low Quiescent Current
  - 25nA (typ)
- TTL/CMOS Input Logic Level
- Temperature Range: -40°C to +85°C
- 3kV ESD Rating
- SC70JW-8, SOT23-6, and WLCSP-5 Packages

### Applications

- Cellular Telephones
- Digital Still Cameras
- Hot Swap Supplies
- LCD Panels
- Notebook Computers
- Personal Communication Devices
- Personal Digital Assistants (PDAs)

### Typical Application



# AAT4280A

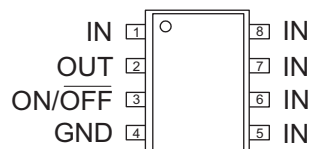
## Slew Rate Controlled Load Switch

### Pin Descriptions

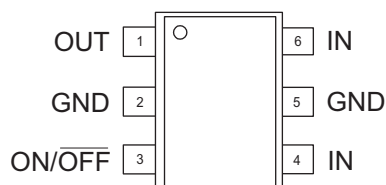
Pin #			Symbol	Function
SC70JW-8	SOT23-6	WLSCP-5		
1, 5, 6, 7, 8	4, 6	1, 4	IN	This pin is the input to the P-channel MOSFET source. Bypass to ground through a 1.0 $\mu$ F capacitor.
2	1	5	OUT	This pin is the P-channel MOSFET drain connection. Bypass to ground through a 0.1 $\mu$ F capacitor.
3	3	2	ON/OFF	Enable input.
4	5	3	GND	Ground connection.

### Pin Configuration

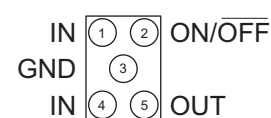
**SC70JW-8  
(Top View)**



**SOT23-6  
(Top View)**



**WLSCP-5  
(Top View)**



# AAT4280A

## Slew Rate Controlled Load Switch

### Selector Guide

Part Number	Slew Rate (typ)	Active Pull Down	Enable
AAT4280A-1	1ms		Active High
AAT4280A-2	0.5 $\mu$ s		Active High
AAT4280A-3	100 $\mu$ s	✓	Active High
AAT4280A-4	4.5ms	✓	Active High

### Absolute Maximum Ratings<sup>1</sup>

T<sub>A</sub> = 25°C, unless otherwise noted.

Symbol	Description	Value	Units
V <sub>IN</sub>	IN to GND	-0.3 to 6	V
V <sub>ON</sub>	ON/OFF to GND	-0.3 to 6	V
V <sub>OUT</sub>	OUT to GND	-0.3 to V <sub>IN</sub> + 0.3	V
I <sub>MAX</sub>	Maximum Continuous Switch Current	2.3	A
I <sub>DM</sub>	Maximum Pulsed Current	IN $\geq$ 2.5V	6
		IN < 2.5V	3
T <sub>J</sub>	Operating Junction Temperature Range	-40 to 150	°C
T <sub>S</sub>	Storage Temperature Range	-65 to 150	°C
T <sub>LEAD</sub>	Maximum Soldering Temperature (at leads)	300	°C
V <sub>ESD</sub>	ESD Rating <sup>2</sup> - HBM	3000	V

### Thermal Characteristics

Symbol	Description	Package	Value	Units
P <sub>D</sub>	Maximum Power Dissipation	SC70JW-8 <sup>3,4</sup>	714	mW
		SOT23-6 <sup>3,5</sup>	833	
		WLCSP-5 <sup>3,6</sup>	352	
$\theta_{JA}$	Thermal Resistance	SC70JW-8	140	°C/W
		SOT23-6	120	
		WLCSP-5	284	

1. Stresses above those listed in Absolute Maximum Ratings may cause permanent damage to the device. Functional operation at condition other than the operating conditions specified is not implied. Only one Absolute Maximum Rating should be applied at any one time.

2. Human body model is a 100pF capacitor discharged through a 1.5k $\Omega$  resistor into each pin.

3. Mounted on an FR4 board; for the WLCSP package, use the NSMD (non-solder mask defined) pad style for tighter control on the copper etch process.

4. Derate 7.14mW/°C above 25°C.

5. Derate 8.33mW/°C above 25°C.

6. Derate 3.52mW/°C above 25°C.

**AAT4280A****Slew Rate Controlled Load Switch****Electrical Characteristics**

Unless otherwise noted,  $V_{IN} = 5V$ ,  $T_A = -40^{\circ}C$  to  $+85^{\circ}C$ ; typical values are  $T_A = 25^{\circ}C$ .

Symbol	Description	Conditions	Min	Typ	Max	Units
<b>AAT4280A All Versions</b>						
$V_{IN}$	Operation Voltage		1.5		5.5	V
$I_Q$	Quiescent Current	ON/OFF = Active			1	$\mu A$
$I_Q(\text{off})$	Off Supply Current	ON/OFF = Inactive, OUT = Open			1	$\mu A$
$I_{SD}(\text{off})$	Off Switch Current	ON/OFF = Inactive, $V_{OUT} = 0$			1	$\mu A$
$R_{DS(\text{on})}$	On Resistance	$V_{IN} = 5V, T_A = 25^{\circ}C$		80	120	m $\Omega$
		$V_{IN} = 4.2V, T_A = 25^{\circ}C$		85	130	
		$V_{IN} = 3V, T_A = 25^{\circ}C$		100	150	
		$V_{IN} = 1.8V, T_A = 25^{\circ}C$		160	250	
		$V_{IN} = 1.5V, T_A = 25^{\circ}C$		200	300	
$TC_{RDS}$	On Resistance Temperature Coefficient			2800		ppm/ $^{\circ}C$
$V_{IL}$	ON/OFF Input Logic Low Voltage	$V_{IN} = 1.5V$ to $5.5V^1$			0.4	V
$V_{IH}$	ON/OFF Input Logic High Voltage	$V_{IN} = 1.5V$ to $2.7V$	1.4			V
		$V_{IN} = 2.7V$ to $3.3V$	1.5			
		$V_{IN} = 3.3V$ to $4.2V$	1.6			
		$V_{IN} = 4.2V$ to $5.5V$	2.4			
$I_{SINK}$	ON/OFF Input Leakage	$V_{ON/OFF} = 5.5V$			1	$\mu A$
<b>AAT4280A-1</b>						
$T_{D(\text{ON})}$	Output Turn-On Delay	$V_{IN} = 5V, R_{LOAD} = 10\Omega, T_A = 25^{\circ}C$		20	40	$\mu s$
$T_{ON}$	Output Turn-On Rise Time	$V_{IN} = 5V, R_{LOAD} = 10\Omega, T_A = 25^{\circ}C$		1000	1500	$\mu s$
$T_{D(\text{OFF})}$	Output Turn-Off Delay Time	$V_{IN} = 5V, R_{LOAD} = 10\Omega, T_A = 25^{\circ}C$		4	10	$\mu s$
<b>AAT4280A-2</b>						
$T_{D(\text{ON})}$	Output Turn-On Delay	$V_{IN} = 5V, R_{LOAD} = 10\Omega, T_A = 25^{\circ}C$		0.5	2	$\mu s$
$T_{ON}$	Output Turn-On Rise Time	$V_{IN} = 5V, R_{LOAD} = 10\Omega, T_A = 25^{\circ}C$		0.5	1	$\mu s$
$T_{D(\text{OFF})}$	Output Turn-Off Delay Time	$V_{IN} = 5V, R_{LOAD} = 10\Omega, T_A = 25^{\circ}C$		4	10	$\mu s$
<b>AAT4280A-3</b>						
$T_{D(\text{ON})}$	Output Turn-On Delay	$V_{IN} = 5V, R_{LOAD} = 10\Omega, T_A = 25^{\circ}C$		20	40	$\mu s$
$T_{ON}$	Output Turn-On Rise Time	$V_{IN} = 5V, R_{LOAD} = 10\Omega, T_A = 25^{\circ}C$		100	150	$\mu s$
$T_{D(\text{OFF})}$	Output Turn-Off Delay Time	$V_{IN} = 5V, R_{LOAD} = 10\Omega, T_A = 25^{\circ}C$		4	10	$\mu s$
$R_{PD}$	Output Pull-Down Resistance During OFF	ON/OFF = Inactive, $T_A = 25^{\circ}C$		150	250	$\Omega$
<b>AAT4280A-4</b>						
$T_{D(\text{ON})}$	Output Turn-On Delay Time	$V_{IN} = 3.3V, R_{LOAD} = 10\Omega, T_A = 25^{\circ}C$		20	40	$\mu s$
$T_{ON}$	Output Turn-On Rise Time	$V_{IN} = 3.3V, R_{LOAD} = 10\Omega, T_A = 25^{\circ}C$	2000	4500		$\mu s$
$T_{D(\text{OFF})}$	Output Turn-Off Delay Time	$V_{IN} = 3.3V, R_{LOAD} = 10\Omega, T_A = 25^{\circ}C$		4	10	$\mu s$
$R_{PD}$	Output Pull-Down Resistance During OFF	ON/OFF = Inactive, $T_A = 25^{\circ}C$		150	250	$\Omega$

1. For  $V_{IN}$  outside this range, consult typical ON/OFF threshold curve.

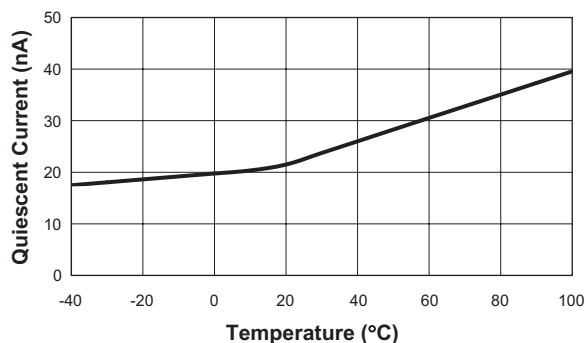
# AAT4280A

## Slew Rate Controlled Load Switch

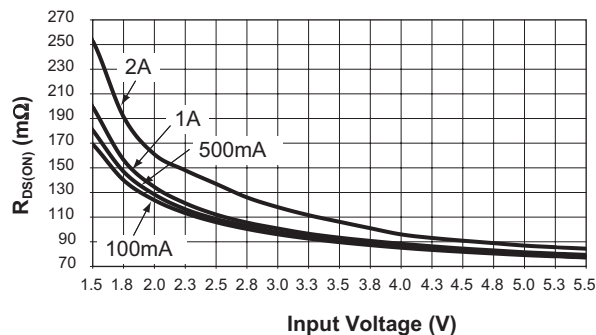
### Typical Characteristics

Unless otherwise noted,  $V_{IN} = 5V$ ,  $T_A = 25^\circ C$ .

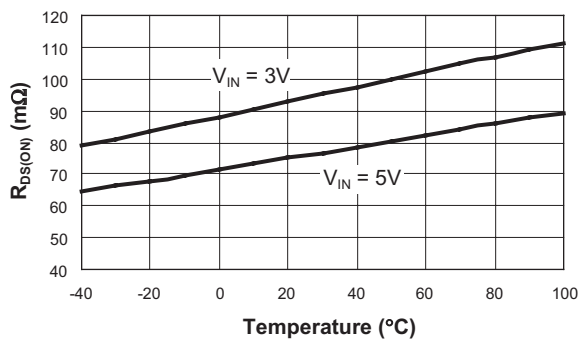
Quiescent Current vs. Temperature



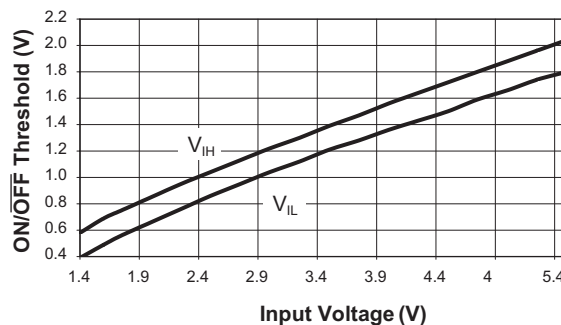
$R_{DS(ON)}$  vs. Input Voltage



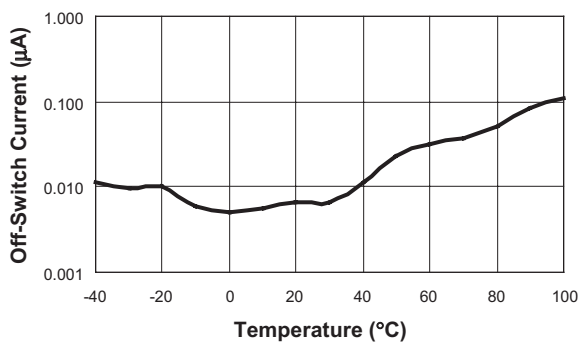
$R_{DS(ON)}$  vs. Temperature



ON/OFF Threshold vs. Input Voltage



Off-Switch Current vs. Temperature



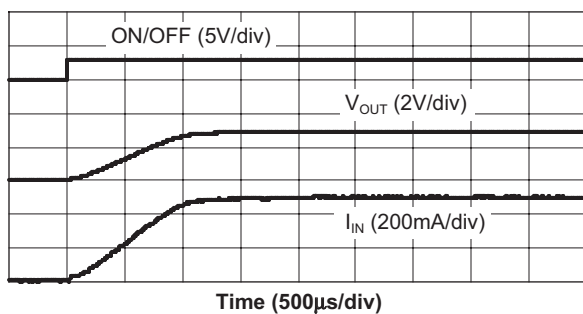
# AAT4280A

## Slew Rate Controlled Load Switch

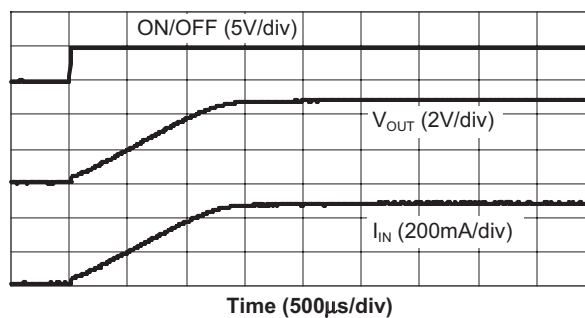
### Typical Characteristics—AAT4280A-1

Unless otherwise noted,  $V_{IN} = 5V$ ,  $T_A = 25^\circ C$ .

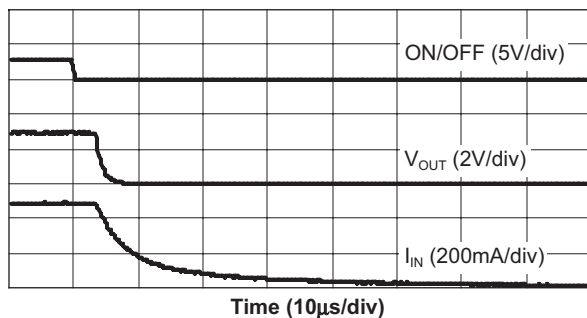
**AAT4280A-1 Turn-On**  
( $V_{IN} = 3V$ ;  $R_L = 6\Omega$ )



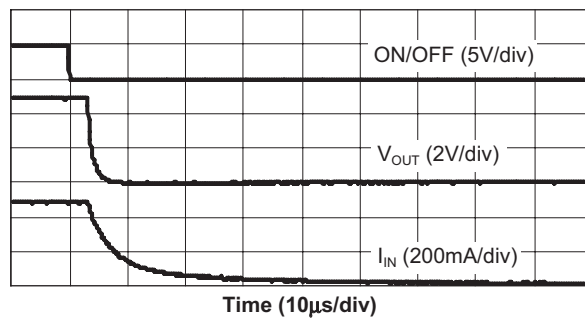
**AAT4280A-1 Turn-On**  
( $V_{IN} = 5V$ ;  $R_L = 10\Omega$ )



**AAT4280A-1 Turn-Off**  
( $V_{IN} = 3V$ ;  $R_L = 6\Omega$ )



**AAT4280A-1 Turn-Off**  
( $V_{IN} = 5V$ ;  $R_L = 10\Omega$ )



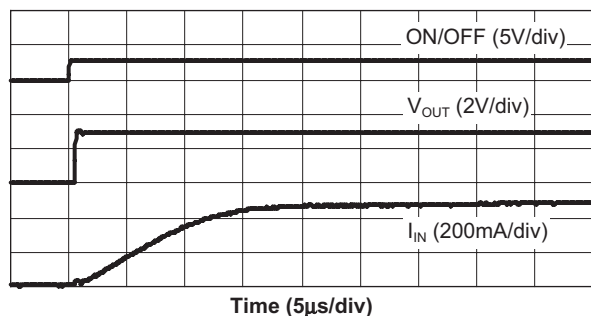
# AAT4280A

## Slew Rate Controlled Load Switch

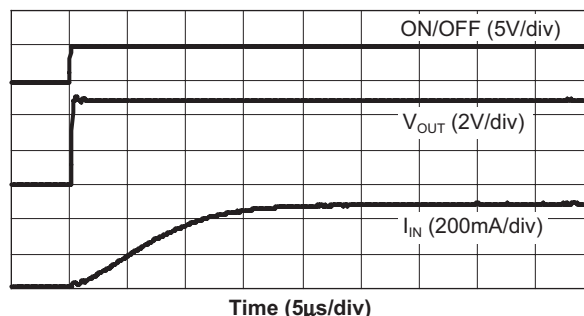
### Typical Characteristics—AAT4280A-2

Unless otherwise noted,  $V_{IN} = 5V$ ,  $T_A = 25^\circ C$ .

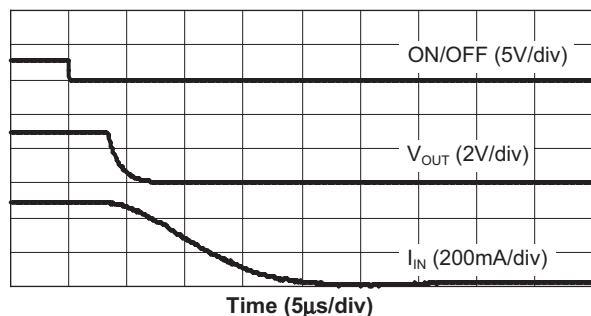
**AAT4280A-2 Turn-On**  
( $V_{IN} = 3V$ ;  $R_{IN} = 6\Omega$ )



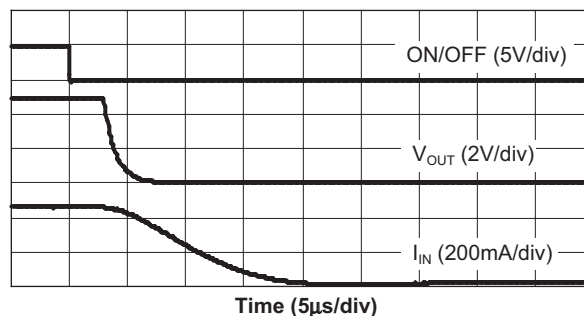
**AAT4280A-2 Turn-On**  
( $V_{IN} = 5V$ ;  $R_L = 10\Omega$ )



**AAT4280A-2 Turn-Off**  
( $V_{IN} = 3V$ ;  $R_L = 6\Omega$ )



**AAT4280A-2 Turn-Off**  
( $V_{IN} = 5V$ ;  $R_L = 10\Omega$ )



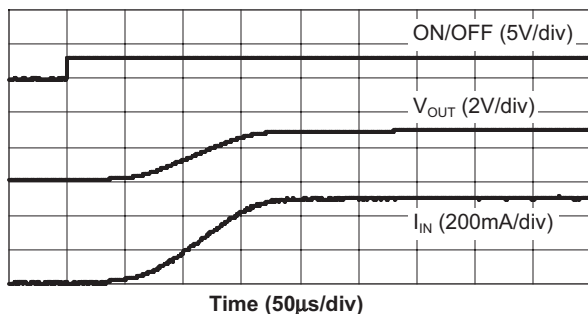
# AAT4280A

## Slew Rate Controlled Load Switch

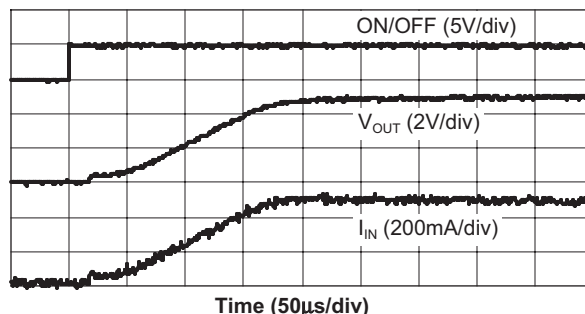
### Typical Characteristics—AAT4280A-3

Unless otherwise noted,  $V_{IN} = 5V$ ,  $T_A = 25^\circ C$ .

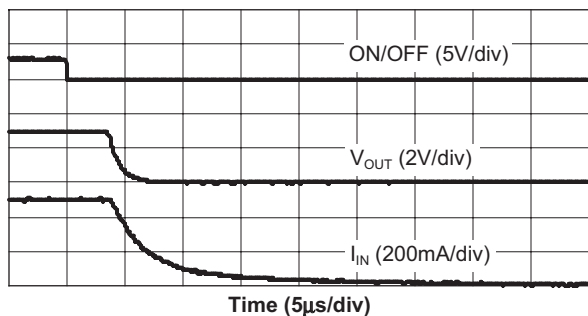
**AAT4280A-3 Turn-On**  
( $V_{IN} = 3V$ ;  $R_L = 6\Omega$ )



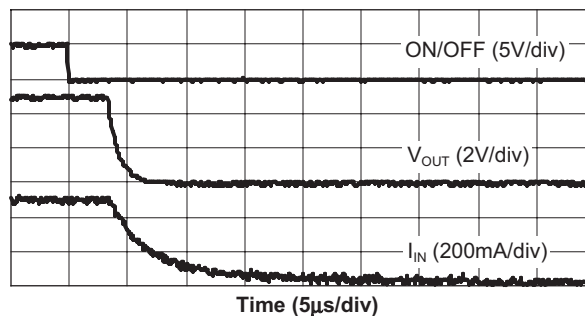
**AAT4280A-3 Turn-On**  
( $V_{IN} = 5V$ ;  $R_L = 10\Omega$ )



**AAT4280A-3 Turn-Off**  
( $V_{IN} = 3V$ ;  $R_L = 6\Omega$ )



**AAT4280A-3 Turn-Off**  
( $V_{IN} = 5V$ ;  $R_L = 10\Omega$ )





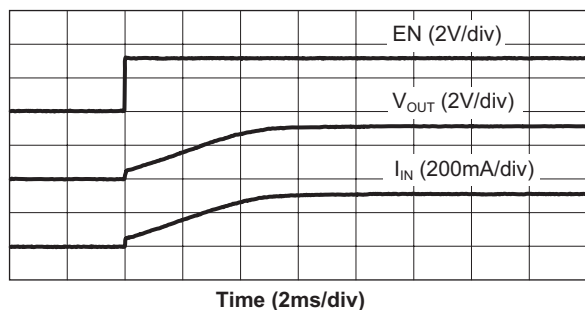
# AAT4280A

## Slew Rate Controlled Load Switch

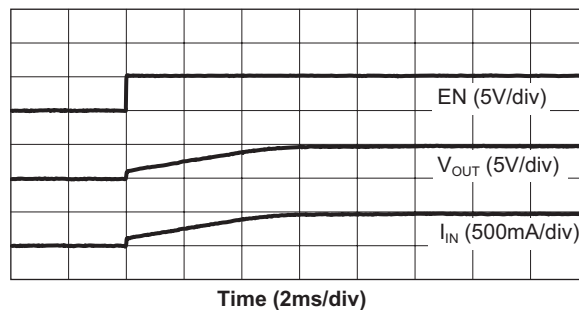
### Typical Characteristics—AAT4280A-4

Unless otherwise noted,  $V_{IN} = 5V$ ,  $T_A = 25^\circ C$ .

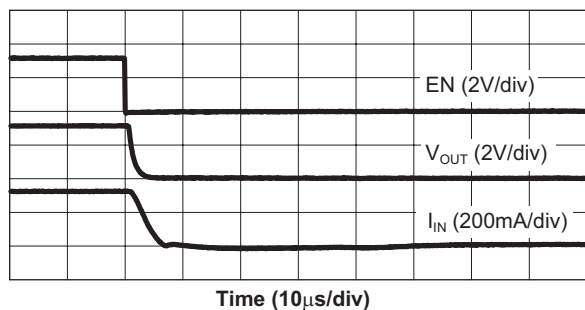
**AAT4280A-4 Turn-On**  
( $V_{IN} = 3V$ ;  $R_L = 10\Omega$ )



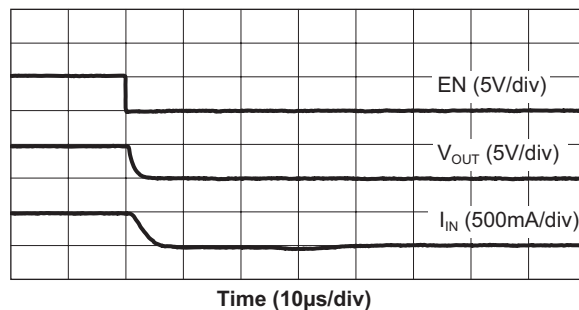
**AAT4280A-4 Turn-On**  
( $V_{IN} = 5V$ ;  $R_L = 10\Omega$ )



**AAT4280A-4 Turn-Off**  
( $V_{IN} = 3.3V$ ;  $R_L = 10W$ )



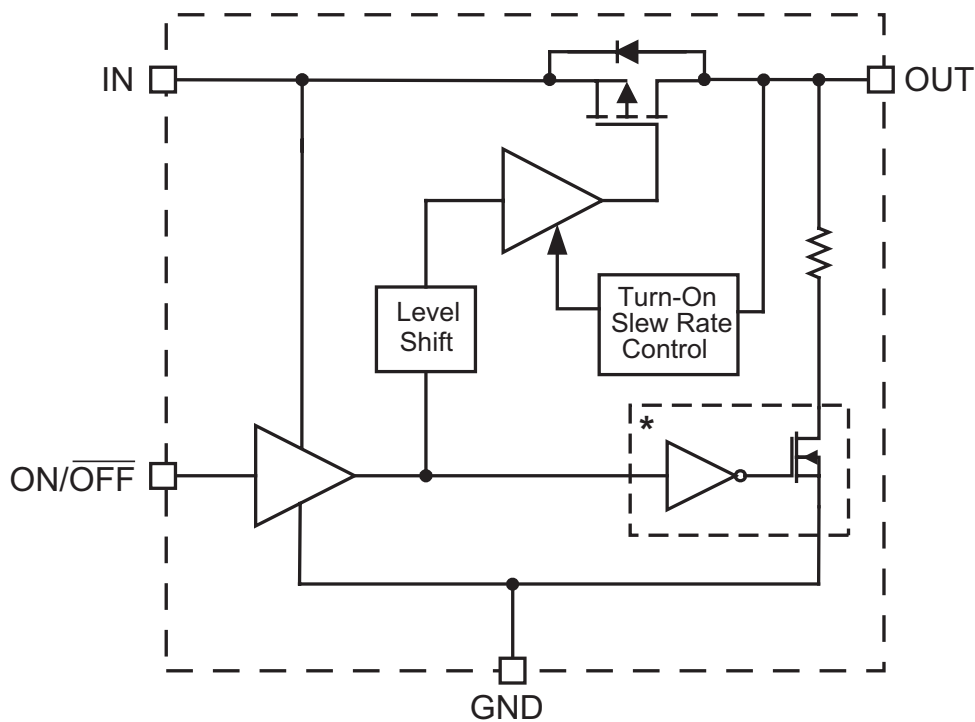
**AAT4280A-4 Turn-Off**  
( $V_{IN} = 5V$ ;  $R_L = 10\Omega$ )



# AAT4280A

## Slew Rate Controlled Load Switch

### Functional Block Diagram



\*AAT4280A-3 and -4 only

### Functional Description

The AAT4280A is a family of flexible P-channel MOSFET power switches designed for high-side load switching applications. There are three versions of the AAT4280A with different turn-on and turn-off characteristics to choose from, depending upon the specific requirements of an application. The first version, the AAT4280A-1, has a moderate turn-on slew rate feature, which reduces inrush current when the MOSFET is turned on. This function allows the load switch to be implemented with either a small input capacitor or no input capacitor at all. During turn-on slewing, the current ramps linearly until it reaches the level required for the output load condition. The proprietary turn-on current control method works by careful control and monitoring of the MOSFET gate voltage. When the device is switched ON, the gate voltage is quickly increased to the threshold level of the MOSFET. Once at this level, the current begins to slew as the gate voltage is slowly increased until the MOSFET becomes fully enhanced. Once it has reached this point,

the gate is quickly increased to the full input voltage and  $R_{DS(ON)}$  is minimized.

The second version, the AAT4280A-2, is a very fast switch intended for high-speed switching applications. This version has no turn-on slew rate control and no special output discharge features.

The third switch version, the AAT4280A-3, has the addition of a minimized slew rate limited turn-on function and a shutdown output discharge circuit to rapidly turn off a load when the load switch is disabled through the ON/OFF pin.

The final switch version, the AAT4280A-4, features a very slow turn-on slew rate with a typical value of 4.5ms for LCD panel applications.

All versions of the AAT4280A operate with input voltages ranging from 1.5V to 5.5V. All versions of this device have extremely low operating current, making them ideal for battery-powered applications. The ON/OFF control pin is TTL compatible and will also function with 2.5V to 5V logic systems, making the AAT4280A an ideal level-shifting load switch.

# AAT4280A

## Slew Rate Controlled Load Switch

### Applications Information

#### Input Capacitor

A 1 $\mu$ F or larger capacitor is typically recommended for  $C_{IN}$  in most applications. A  $C_{IN}$  capacitor is not required for basic operation; however,  $C_{IN}$  is useful in preventing load transients from affecting upstream circuits.  $C_{IN}$  should be located as close to the device  $V_{IN}$  pin as practically possible. Ceramic, tantalum, or aluminum electrolytic capacitors may be selected for  $C_{IN}$ . There is no specific capacitor ESR requirement for  $C_{IN}$ ; however, for higher current operation, ceramic capacitors are recommended for  $C_{IN}$  due to their inherent capability over tantalum capacitors to withstand input current surges from low impedance sources, such as batteries in portable devices.

#### Output Capacitor

For proper slew operation, a 0.1 $\mu$ F capacitor or greater between  $V_{OUT}$  and GND is recommended. The output capacitor has no specific capacitor type or ESR requirement. If desired,  $C_{OUT}$  may be increased without limit to accommodate any load transient condition without adversely affecting the device turn-on slew rate time.

#### Enable Function

The AAT4280A features an enable / disable function. This pin (ON/OFF) is compatible with both TTL or CMOS logic.

#### Reverse Output-to-Input Voltage Conditions and Protection

Under normal operating conditions, a parasitic diode exists between the output and input of the load switch. The input voltage should always remain greater than the output load voltage, maintaining a reverse bias on the internal parasitic diode. Conditions where  $V_{OUT}$  might exceed  $V_{IN}$  should be avoided since this would forward bias the internal parasitic diode and allow excessive current flow into the  $V_{OUT}$  pin and possibly damage the load switch.

In applications where there is a possibility of  $V_{OUT}$  exceeding  $V_{IN}$  for brief periods of time during normal operation, the use of a larger value  $C_{IN}$  capacitor is highly recommended. A larger value of  $C_{IN}$  with respect to  $C_{OUT}$  will effect a slower  $C_{IN}$  decay rate during shutdown, thus preventing  $V_{OUT}$  from exceeding  $V_{IN}$ . In applications where there is a greater danger of  $V_{OUT}$  exceeding

$V_{IN}$  for extended periods of time, it is recommended to place a Schottky diode from  $V_{IN}$  to  $V_{OUT}$  (connecting the cathode to  $V_{IN}$  and anode to  $V_{OUT}$ ). The Schottky diode forward voltage should be less than 0.45V.

#### Thermal Considerations and High Output Current Applications

The AAT4280A is designed to deliver a continuous output load current. The limiting characteristic for maximum safe operating output load current is package power dissipation. In order to obtain high operating currents, careful device layout and circuit operating conditions need to be taken into account.

The following discussions will assume the load switch is mounted on a printed circuit board utilizing the minimum recommended footprint, as stated in the Layout Considerations section of this datasheet.

At any given ambient temperature ( $T_A$ ), the maximum package power dissipation can be determined by the following equation:

$$P_{D(MAX)} = \frac{[T_{J(MAX)} - T_A]}{\theta_{JA}}$$

Constants for the AAT4280A are maximum junction temperature,  $T_{J(MAX)} = 125^\circ\text{C}$ , and package thermal resistance,  $\theta_{JA} = 120^\circ\text{C/W}$ . Worst case conditions are calculated at the maximum operating temperature where  $T_A = 85^\circ\text{C}$ . Typical conditions are calculated under normal ambient conditions where  $T_A = 25^\circ\text{C}$ . At  $T_A = 85^\circ\text{C}$ ,  $P_{D(MAX)} = 333\text{mW}$ . At  $T_A = 25^\circ\text{C}$ ,  $P_{D(MAX)} = 833\text{mW}$ .

The maximum continuous output current for the AAT4280A is a function of the package power dissipation and the  $R_{DS}$  of the MOSFET at  $T_{J(MAX)}$ . The maximum  $R_{DS}$  of the MOSFET at  $T_{J(MAX)}$  is calculated by increasing the maximum room temperature  $R_{DS}$  by the  $R_{DS}$  temperature coefficient. The temperature coefficient ( $T_C$ ) is 2800ppm/ $^\circ\text{C}$ . Therefore,

$$\text{MAX } R_{DS125^\circ\text{C}} = R_{DS25^\circ\text{C}} \cdot (1 + T_C \cdot \Delta T)$$

$$\text{MAX } R_{DS125^\circ\text{C}} = 120\text{m}\Omega \cdot (1 + 0.0028 \cdot (125^\circ\text{C} - 25^\circ\text{C})) = 154\text{m}\Omega$$

For maximum current, refer to the following equation:

$$I_{OUT(MAX)} < \frac{P_{D(MAX)}}{R_{DS}}$$

# AAT4280A

## Slew Rate Controlled Load Switch

For example, if  $V_{IN} = 5V$ ,  $R_{DS(MAX)} = 154m\Omega$  and  $T_A = 25^\circ C$ ,  $I_{OUT(MAX)} = 2.3A$ . If the output load current were to exceed 2.3A or if the ambient temperature were to increase, the internal die temperature would increase and the device would be damaged.

Higher peak currents can be obtained with the AAT4280A. To accomplish this, the device thermal resistance must be reduced by increasing the heat sink area or by operating the load switch in a duty-cycle manner.

### High Peak Output Current Applications

Some applications require the load switch to operate at a continuous nominal current level with short duration, high-current peaks. The duty cycle for both output current levels must be taken into account. To do so, first calculate the power dissipation at the nominal continuous current level, and then add in the additional power dissipation due to the short duration, high-current peak scaled by the duty factor.

For example, a 4V system using an AAT4280A operates at a continuous 100mA load current level and has short 2A current peaks, as in a GSM application. The current peak occurs for 576 $\mu s$  out of a 4.61ms period.

First, the current duty cycle is calculated:

$$\% \text{ Peak Duty Cycle: } X/100 = 576\mu s/4.61ms$$

$$\% \text{ Peak Duty Cycle} = 12.5\%$$

The load current is 100mA for 87.5% of the 4.61ms period and 2A for 12.5% of the period. Since the Electrical Characteristics do not report  $R_{DS(MAX)}$  for 4V operation, it must be calculated approximately by consulting the chart of  $R_{DS(ON)}$  vs.  $V_{IN}$ . The  $R_{DS}$  reported for 5V can be scaled by the ratio seen in the chart to derive the  $R_{DS}$  for a 4V  $V_{IN}$ :  $120m\Omega \cdot 87m\Omega / 80m\Omega = 130m\Omega$ . De-rated for temperature:  $130m\Omega \cdot (1 + 0.0028 \cdot (125^\circ C - 25^\circ C)) = 166m\Omega$ . The power dissipation for a 100mA load is calculated as follows:

$$P_{D(MAX)} = I_{OUT}^2 \cdot R_{DS}$$

$$P_{D(100mA)} = (100mA)^2 \cdot 166m\Omega$$

$$P_{D(100mA)} = 1.66mW$$

$$P_{D(87.5\%D/C)} = \%DC \cdot P_{D(100mA)}$$

$$P_{D(87.5\%D/C)} = 0.875 \cdot 1.66mW$$

$$P_{D(87.5\%D/C)} = 1.45mW$$

The power dissipation for 100mA load at 87.5% duty cycle is 1.45mW. Now the power dissipation for the remaining 12.5% of the duty cycle at 2A is calculated:

$$P_{D(MAX)} = I_{OUT}^2 \cdot R_{DS}$$

$$P_{D(2A)} = (2A)^2 \cdot 166m\Omega$$

$$P_{D(2A)} = 664mW$$

$$P_{D(12.5\%D/C)} = \%DC \cdot P_{D(2A)}$$

$$P_{D(12.5\%D/C)} = 0.125 \cdot 664mW$$

$$P_{D(12.5\%D/C)} = 83mW$$

The power dissipation for 2A load at 12.5% duty cycle is 83mW. Finally, the two power figures are summed to determine the total true power dissipation under the varied load:

$$P_{D(total)} = P_{D(100mA)} + P_{D(2A)}$$

$$P_{D(total)} = 1.45mW + 83mW$$

$$P_{D(total)} = 84.5mW$$

The maximum power dissipation for the AAT4280A operating at an ambient temperature of 85 $^\circ C$  is 333mW. The device in this example will have a total power dissipation of 84.5mW. This is well within the thermal limits for safe operation of the device; in fact, at 85 $^\circ C$ , the AAT4280A will handle a 2A pulse for up to 50% duty cycle. At lower ambient temperatures, the duty cycle can be further increased.

### Printed Circuit Board Layout Recommendations

For proper thermal management and to take advantage of the low  $R_{DS(ON)}$  of the AAT4280A, a few circuit board layout rules should be followed:  $V_{IN}$  and  $V_{OUT}$  should be routed using wider than normal traces, and GND should be connected to a ground plane. To maximize package thermal dissipation and power handling capacity of the AAT4280A SC70JW-8 package, the ground plane area connected to the ground pins should be made as large as possible. For best performance,  $C_{IN}$  and  $C_{OUT}$  should be placed close to the package pins.

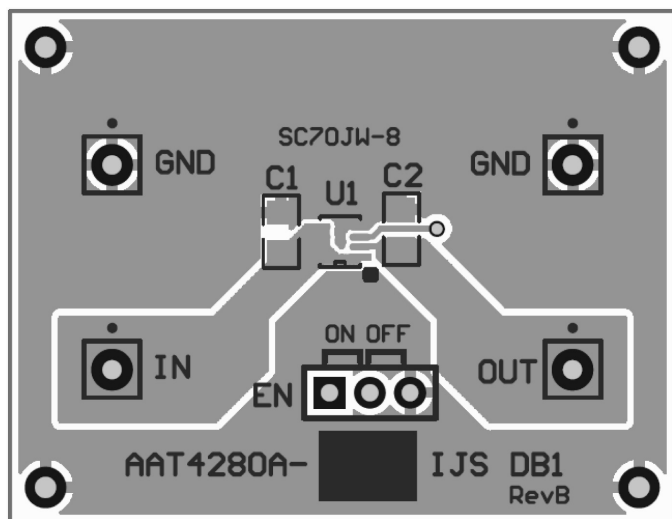
### Evaluation Board Layout

The AAT4280A evaluation layout follows the printed circuit board layout recommendations and can be used for good applications layout. Refer to Figures 1 through 3.

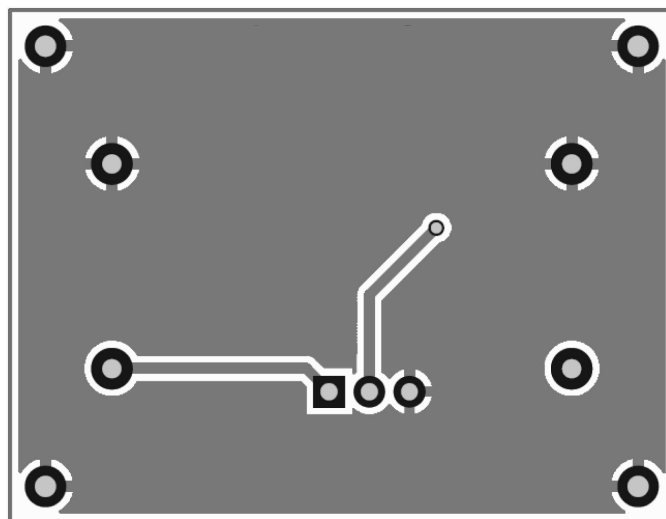
Note: Board layout shown is not to scale.

# AAT4280A

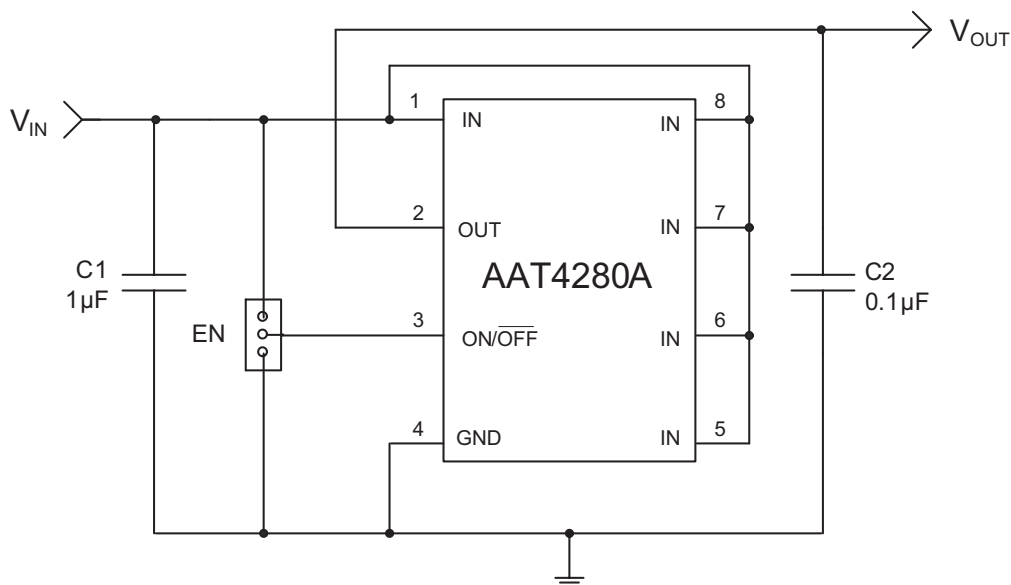
*Slew Rate Controlled Load Switch*



**Figure 1: AAT4280A SC70JW-8 Package Evaluation Board Component Side Layout.**



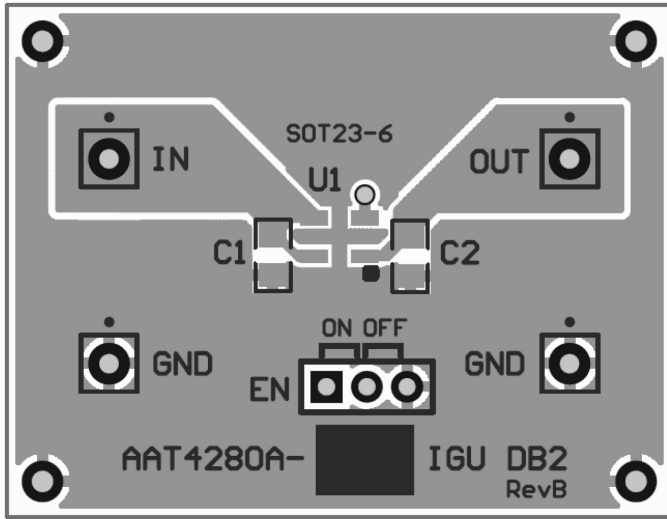
**Figure 2: AAT4280A SC70JW-8 Package Evaluation Board Solder Side Layout.**



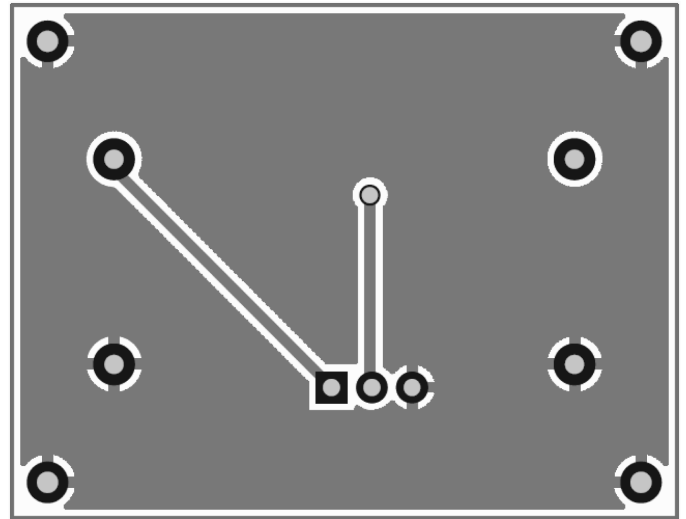
**Figure 3: AAT4280A SC70JW-8 Package Evaluation Board Schematic.**

# AAT4280A

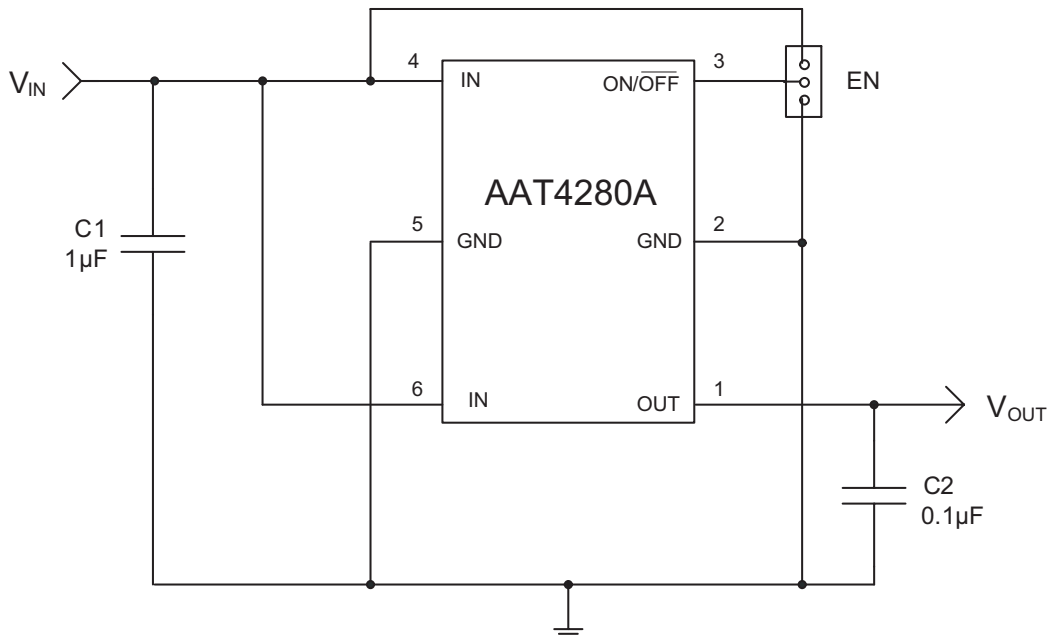
*Slew Rate Controlled Load Switch*



**Figure 4: AAT4280A SOT23-6 Package Evaluation Board Component Side Layout.**



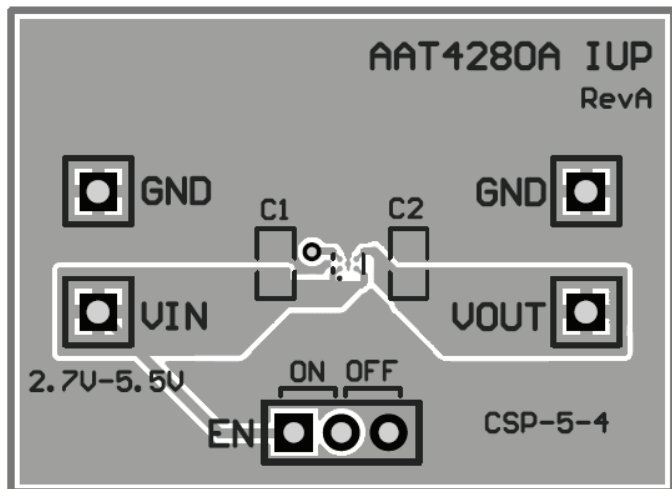
**Figure 5: AAT4280A SOT23-6 Package Evaluation Board Solder Side Layout.**



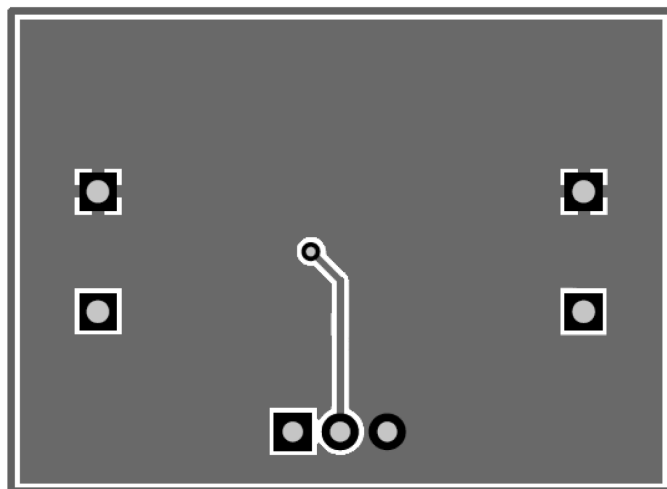
**Figure 6: AAT4280A SOT23-6 Package Evaluation Board Schematic.**

# AAT4280A

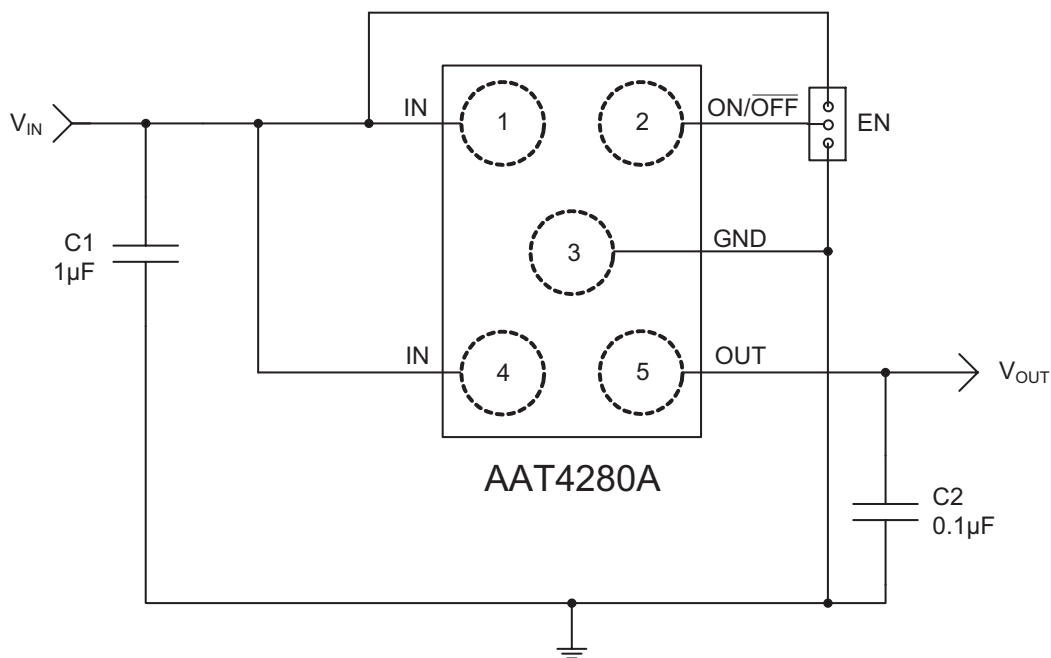
*Slew Rate Controlled Load Switch*



**Figure 7: AAT4280A WLCSP-5 Package Evaluation Board Component Side Layout.**



**Figure 8: AAT4280A WLCSP-5 Package Evaluation Board Solder Side Layout.**



**Figure 9: AAT4280A WLCSP-5 Package Evaluation Board Schematic.**

# AAT4280A

## Slew Rate Controlled Load Switch

### Ordering Information

Device Option	Package	Marking <sup>1</sup>	Part Number (Tape and Reel) <sup>2</sup>
AAT4280A-1	SC70JW-8	NDXYY	<b>AAT4280AIJS-1-T1</b>
AAT4280A-2	SC70JW-8	NEXYY	<b>AAT4280AIJS-2-T1</b>
AAT4280A-3	SC70JW-8	NFXYY	<b>AAT4280AIJS-3-T1</b>
AAT4280A-4	SC70JW-8	3EXYY	<b>AAT4280AIJS-4-T1</b>
AAT4280A-4	SOT23-6	3LXYY	<b>AAT4280AIGU-4-T1</b>
AAT4280A-3	WLCSP-5	4PYW <sup>3</sup>	<b>AAT4280AIUV-3-T1</b>

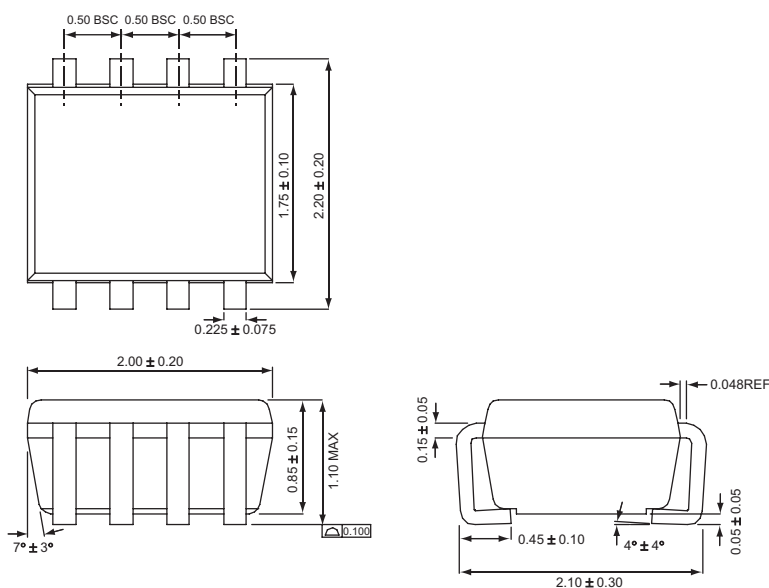


Skyworks Green™ products are compliant with all applicable legislation and are halogen-free.

For additional information, refer to *Skyworks Definition of Green™*, document number SQ04-0074.

### Package Information

#### SC70JW-8



All dimensions in millimeters.

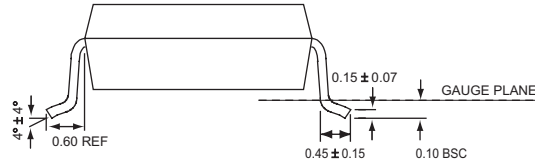
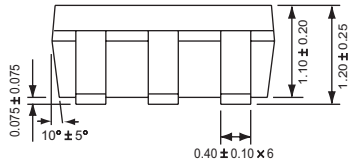
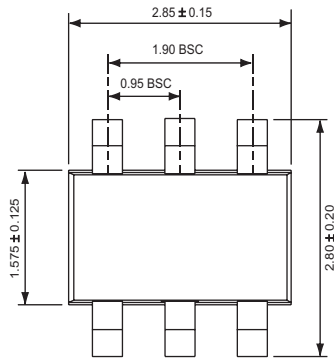
1. XYY = assembly and date code.
2. Sample stock is generally held for part numbers listed in **BOLD**.
3. YW = year code + week code.



# AAT4280A

*Slew Rate Controlled Load Switch*

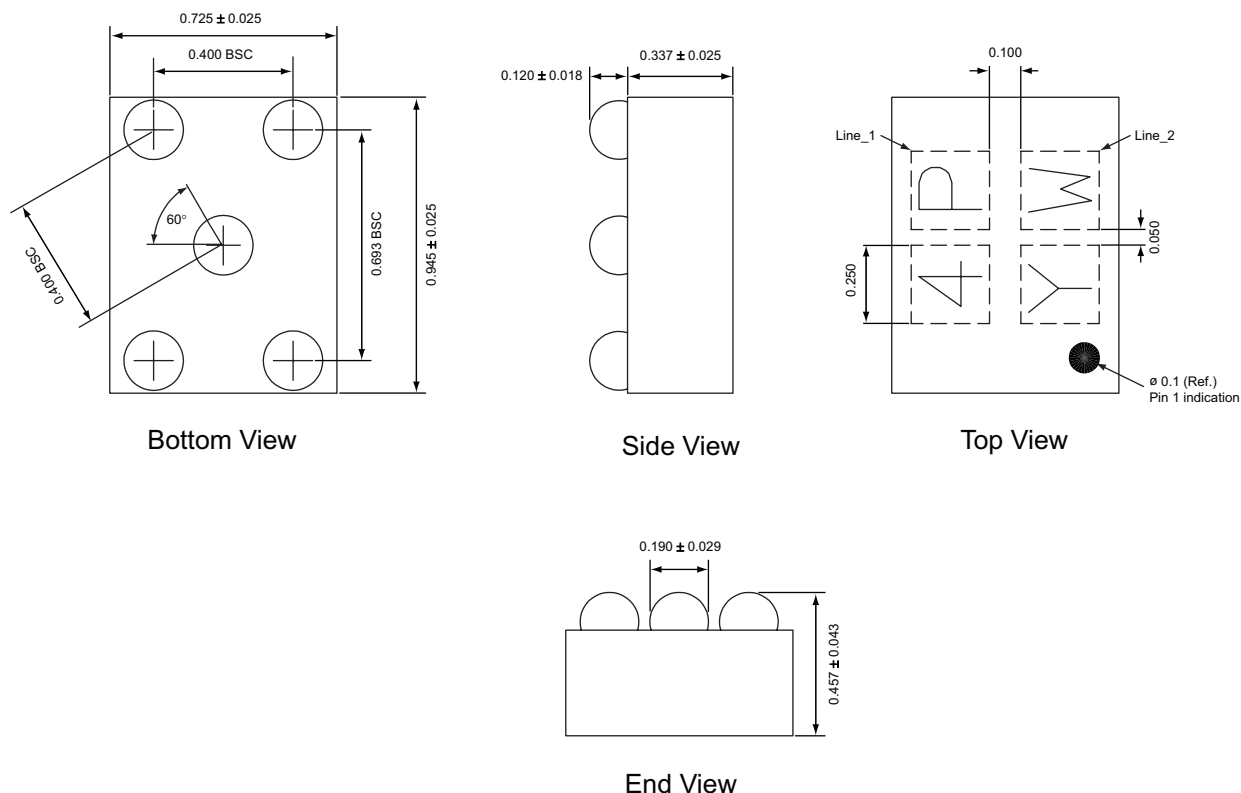
SOT23-6



# AAT4280A

## Slew Rate Controlled Load Switch

### WLSCP-5



All dimensions in millimeters.

Copyright © 2012 Skyworks Solutions, Inc. All Rights Reserved.

Information in this document is provided in connection with Skyworks Solutions, Inc. ("Skyworks") products or services. These materials, including the information contained herein, are provided by Skyworks as a service to its customers and may be used for informational purposes only by the customer. Skyworks assumes no responsibility for errors or omissions in these materials or the information contained herein. Skyworks may change its documentation, products, services, specifications or product descriptions at any time, without notice. Skyworks makes no commitment to update the materials or information and shall have no responsibility whatsoever for conflicts, incompatibilities, or other difficulties arising from any future changes.

No license, whether express, implied, by estoppel or otherwise, is granted to any intellectual property rights by this document. Skyworks assumes no liability for any materials, products or information provided hereunder, including the sale, distribution, reproduction or use of Skyworks products, information or materials, except as may be provided in Skyworks Terms and Conditions of Sale.

THE MATERIALS, PRODUCTS AND INFORMATION ARE PROVIDED "AS IS" WITHOUT WARRANTY OF ANY KIND, WHETHER EXPRESS, IMPLIED, STATUTORY, OR OTHERWISE, INCLUDING FITNESS FOR A PARTICULAR PURPOSE OR USE, MERCHANTABILITY, PERFORMANCE, QUALITY OR NON-INFRINGEMENT OF ANY INTELLECTUAL PROPERTY RIGHT; ALL SUCH WARRANTIES ARE HEREBY EXPRESSLY DISCLAIMED. SKYWORKS DOES NOT WARRANT THE ACCURACY OR COMPLETENESS OF THE INFORMATION, TEXT, GRAPHICS OR OTHER ITEMS CONTAINED WITHIN THESE MATERIALS. SKYWORKS SHALL NOT BE LIABLE FOR ANY DAMAGES, INCLUDING BUT NOT LIMITED TO ANY SPECIAL, INDIRECT, INCIDENTAL, STATUTORY, OR CONSEQUENTIAL DAMAGES, INCLUDING WITHOUT LIMITATION, LOST REVENUES OR LOST PROFITS THAT MAY RESULT FROM THE USE OF THE MATERIALS OR INFORMATION, WHETHER OR NOT THE RECIPIENT OF MATERIALS HAS BEEN ADVISED OF THE POSSIBILITY OF SUCH DAMAGE.

Skyworks products are not intended for use in medical, lifesaving or life-sustaining applications, or other equipment in which the failure of the Skyworks products could lead to personal injury, death, physical or environmental damage. Skyworks customers using or selling Skyworks products for use in such applications do so at their own risk and agree to fully indemnify Skyworks for any damages resulting from such improper use or sale.

Customers are responsible for their products and applications using Skyworks products, which may deviate from published specifications as a result of design defects, errors, or operation of products outside of published parameters or design specifications. Customers should include design and operating safeguards to minimize these and other risks. Skyworks assumes no liability for applications assistance, customer product design, or damage to any equipment resulting from the use of Skyworks products outside of stated published specifications or parameters.

Skyworks, the Skyworks symbol, and "Breakthrough Simplicity" are trademarks or registered trademarks of Skyworks Solutions, Inc., in the United States and other countries. Third-party brands and names are for identification purposes only, and are the property of their respective owners. Additional information, including relevant terms and conditions, posted at [www.skyworksinc.com](http://www.skyworksinc.com), are incorporated by reference.