

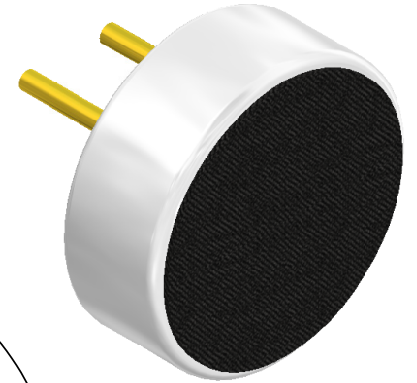
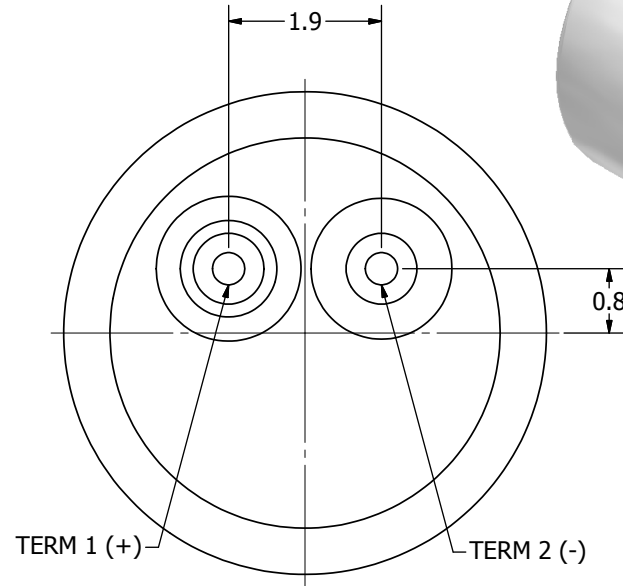
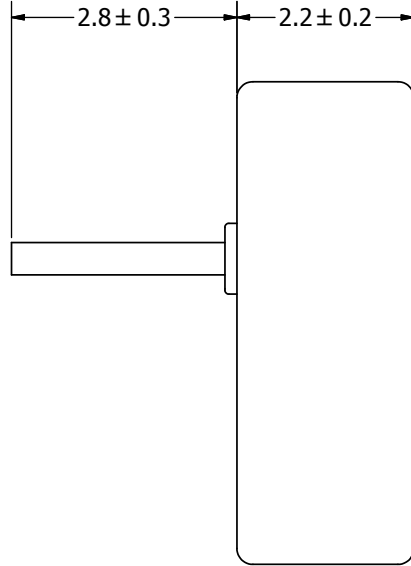
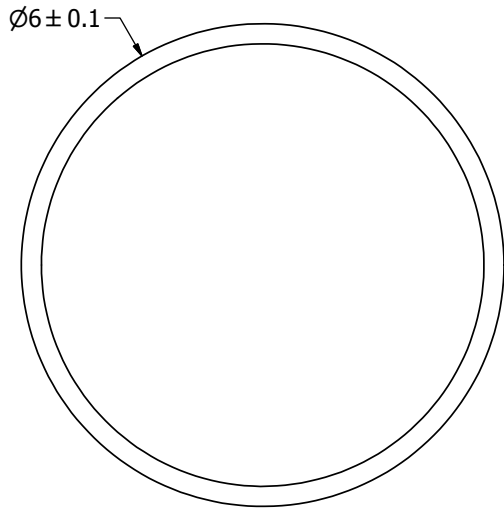
# SPECIFICATIONS

| PARAMETERS                   | VALUES  | UNIT |
|------------------------------|---------|------|
| DIRECTIVITY                  | OMINI   | -    |
| SENSITIVITY                  | -44 ± 3 | dB   |
| STANDARD OPERATING VOLTAGE   | 2       | Vdc  |
| MAX OPERATING VOLTAGE        | 10      | Vdc  |
| CURRENT CONSUMPTION (MAX)    | 0.5     | mA   |
| IMPEDANCE                    | 2.2     | KOhm |
| SIGNAL TO NOISE RATIO (MIN.) | 60      | dB   |
| TERMINAL                     | PIN     | -    |
| INTERNAL CAPACITOR           | N/A     | pF   |

THIS DOCUMENT CONTAINS DATA PROPRIETARY TO PROJECTS UNLIMITED, INC. ANY USE OR REPRODUCTION, IN ANY FORM, WITHOUT PRIOR WRITTEN PERMISSION OF PROJECTS UNLIMITED, INC. IS PROHIBITED.  
©2003, Projects Unlimited Inc.

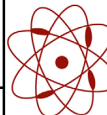
# REVISION HISTORY

| LTR | DESCRIPTION                              | DATE      | APPROVED |
|-----|--|-----------|----------|
| -   | RELEASED FROM ENGINEERING                | 1/25/2006 |          |
| A   | ADDED TERMINAL POLARITY                  | 2/2/2007  | D.F.     |
| B   | REVISED TO INVENTOR 3-D DRAWING TEMPLATE | 9/27/2010 | B.R.     |



### NOTES:

1. ALL DIMENSIONS ARE IN MILLIMETERS.
2. SPECIFICATIONS SUBJECT TO CHANGE OR WITHDRAWAL WITHOUT NOTICE.
3. THIS PART IS RoHS 2002/95/EC COMPLIANT.

|  |   |             |   |            |           |             |           |            |
|--|---|-------------|---|------------|-----------|-------------|-----------|------------|
| UNLESS OTHERWISE SPECIFIED:<br>DIMENSIONS ARE IN MILLIMETERS,<br>TOLERANCES ARE ±0.5 AND ANGLES ARE ±3°. | SIZE  | Designed by | Date                                      | Checked by | Date      | Approved by | Date      | Drawn Date |
|  | A3  | J.A.F.      | 1/25/2006                                 | E.P.       | 1/25/2006 | B.R.        | 1/26/2006 | 9/27/2010  |
| POM-2244P-2-R.idw  |  <b>pui audio</b><br><small>a projects unlimited company</small> |             | <b>POM-2244P-2-R</b><br><b>Microphone</b> |            |           | Edition     | Sheet     |            |
|  |   |             |   |            |           | -           | 1 / 1     |            |