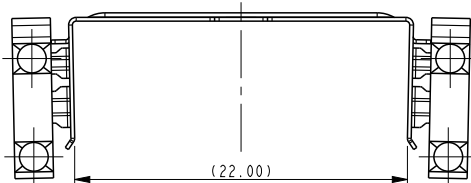
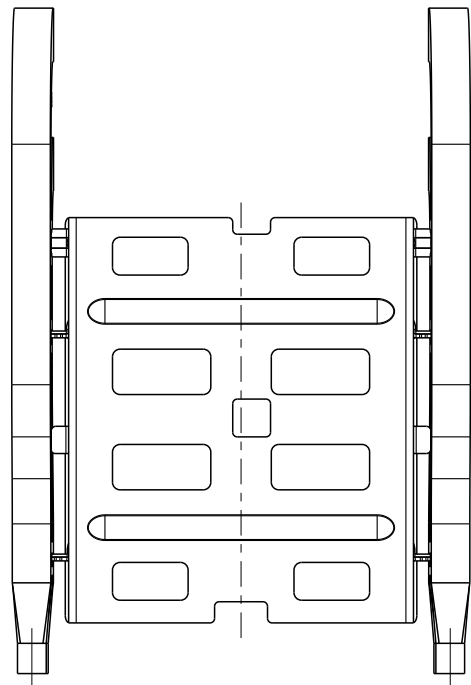
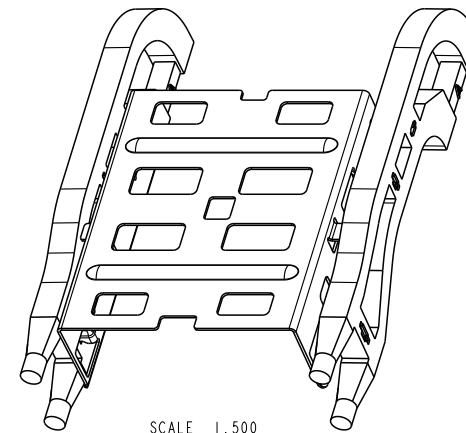


PART NUMBER

10122757-001LF



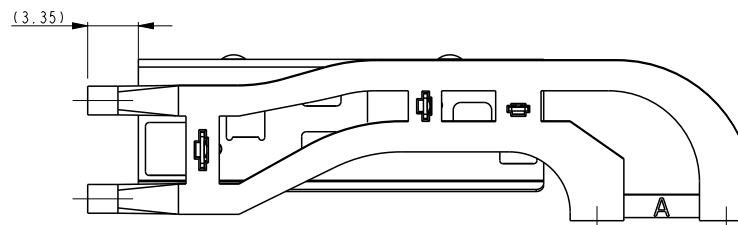
SCALE 2.000



SCALE 1.500

NOTES:

1. MATERIALS:
LIGHT PIPE MOUNTING CLIP: STAINLESS STEEL
LIGHT PIPE: POLYCARBONATE
2. PRODUCT SPECIFICATION: GS-12-65X
3. PRODUCT PACKING SPECIFICATION: GS-14-XXXX
LIGHT PIPE ASSEMBLIES PACKED BY TRAY.
4. APPLICATION SPECIFICATION: GS-20-032X
5. THIS CONNECTOR IS DESIGNED TO MEET THE REQUIREMENTS OF
INDUSTRY SPECIFICATION SFF-8644.
6. LIGHT PIPE ASSEMBLY TO BE APPLIED AFTER CONNECTOR ASSEMBLY TO PCB.



Copyright FCI.

spec ref		dr	Liu Jenson	2013/03/13	projection 	MM ←→	size	A4	scale	1.000	
tolerance std		eng	Zhao Peter	2013/03/14			ecn no	-			
ISO 406 ISO 1101		chr	-	-							
TOLERANCES UNLESS OTHERWISE SPECIFIED		appr	Collins Lu	2013/03/14	product family		rel level	Released			
surface ✓ ISO 1302	linear	0.X	±X	FCI www.fci.com	title	IX2 SIDE LIGHT PIPE SUB-ASSY WITH CLIP MINI SAS HD	dwg no	10122757C		rev	A
		0.XX	±0.20								
		0.XXX	±X								
	angular	0°	±2°	cat. no.	Product - Customer Drw			sheet 1 of 1			