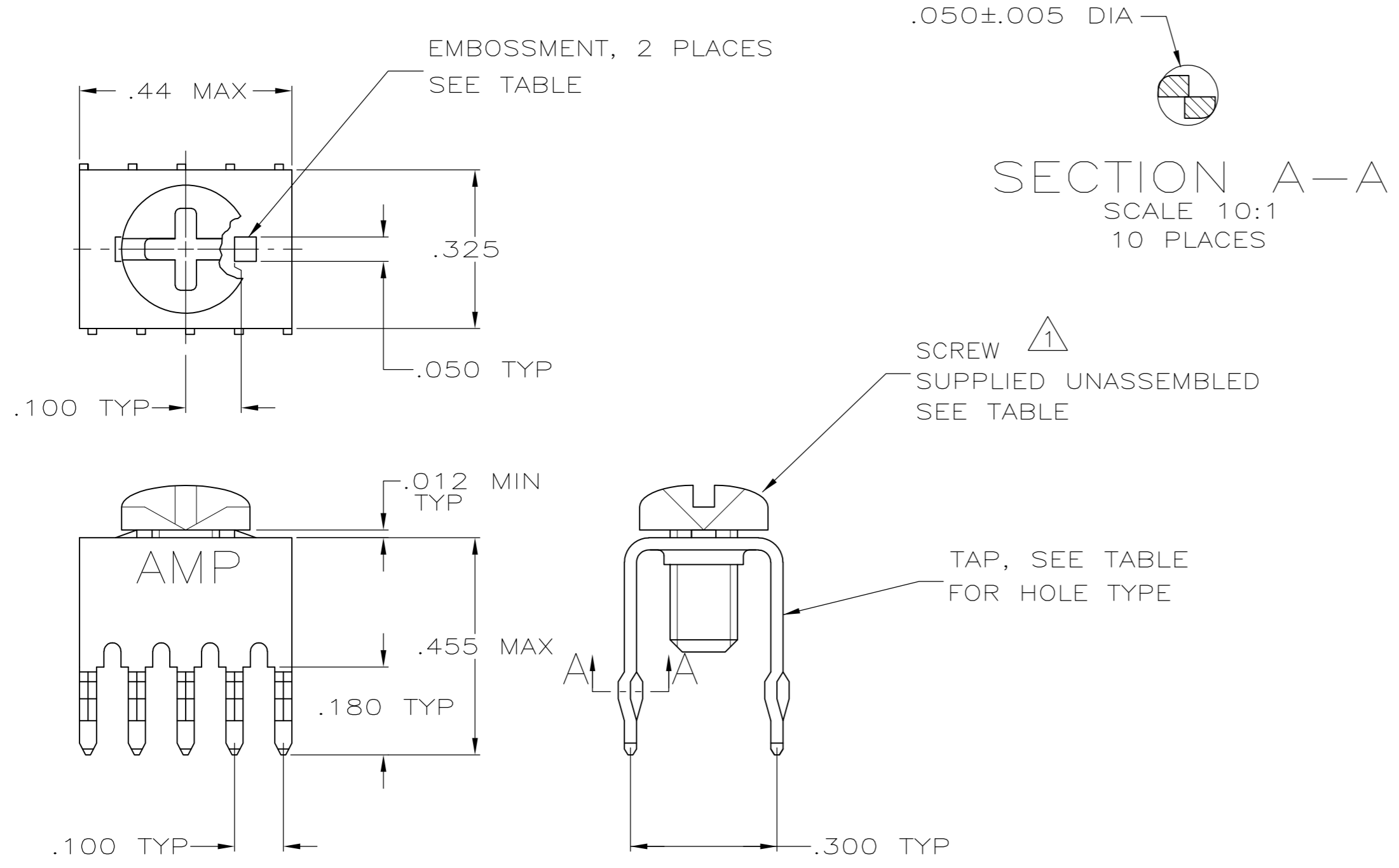
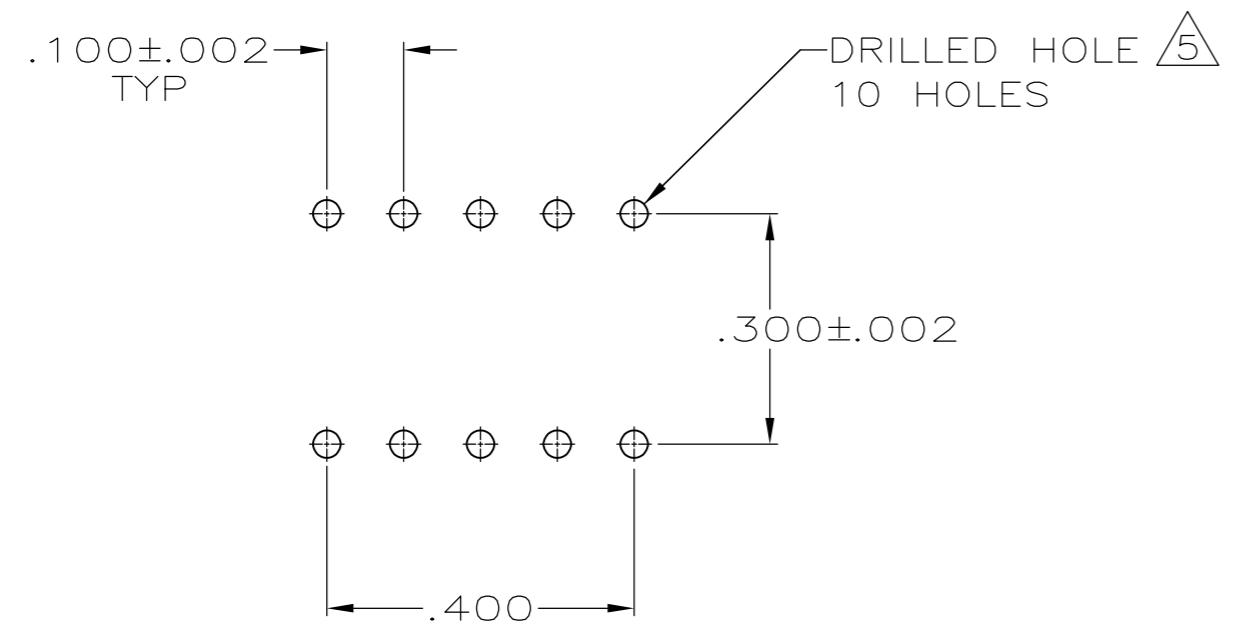


THIS DRAWING IS UNPUBLISHED. RELEASED FOR PUBLICATION  
 © COPYRIGHT - By - ALL RIGHTS RESERVED.

LOC		DIST		REVISIONS			
P	LTR	DESCRIPTION		DATE	DWN	APVD	
AA	00	C1	REVISED PER ECO-11-004835		11MAR11	RK	HMR



- <sup>1</sup> TO PREVENT THREAD STRIPPING, SCREW TORQUE SHOULD NOT EXCEED 9 IN LBS.
- <sup>2</sup> TAP HOLE IS 6-32UNC-2B, TWO MIN THREADS.
- <sup>3</sup> TAP HOLE IS M4 X 0.7, TWO MIN THREADS.
- <sup>4</sup> TAP: .000020-.000120 MATTE TIN OVER .000050 NICKEL.
- <sup>5</sup> REFERENCE APPLICATION SPECIFICATION 114-11000 FOR DRILL HOLE SIZES AND FINISHES.



PC BOARD PATTERN

FINISH	HOLE TYPE	SCREW	EMBOSSMENT	PART NUMBER
<sup>4</sup>	<sup>3</sup>	NO	YES	1-505558-1
<sup>4</sup>	<sup>2</sup>	NO	NO	505558-7
	<sup>2</sup>	993879-1	YES	505558-4
	<sup>2</sup>	NO	YES	505558-3

THIS DRAWING IS A CONTROLLED DOCUMENT.		DWN J. ALCORTA - DOCK5 05-04-05	<b>STE</b> TE Connectivity	
DIMENSIONS: INCHES		CHK A. FRANTUM 05-04-05		
TOLERANCES UNLESS OTHERWISE SPECIFIED:		APVD S. FLICKINGER 05-04-05	NAME TAP, POWER DISTRIBUTION	
0 PLC ± -		PRODUCT SPEC 108-11030	RESTRICTED TO	
1 PLC ± -		APPLICATION SPEC 114-11000	SIZE A2	CAGE CODE 00779
2 PLC ± -		WEIGHT -	DRAWING NO C=5055558	REV C1
3 PLC ± .008		CUSTOMER DRAWING	SCALE 4:1	SHEET 1 of 1
4 PLC ± -				
ANGLES ± -				
FINISH <sup>4</sup>				
MATERIAL COPPER ALLOY 725.				