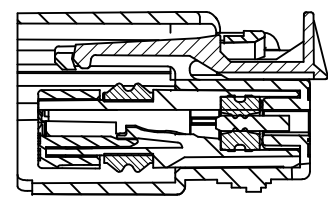
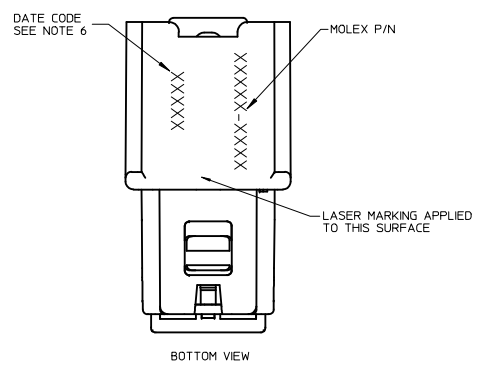


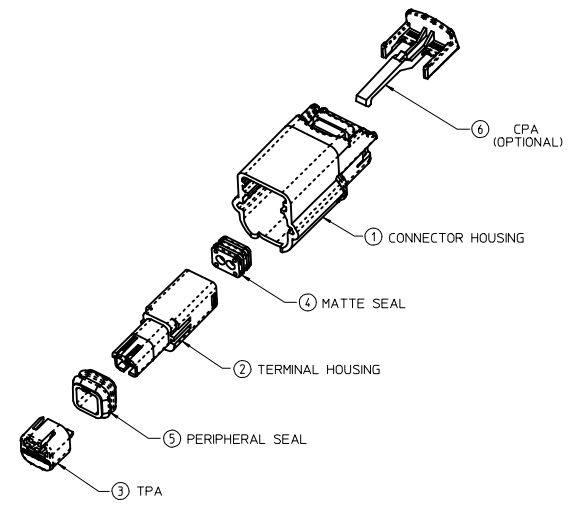
SECTION A-A
TPA SHOWN IN AS-SHIPPED
PRE-LOCKED POSITION
SEE NOTE 3



SECTION A-A
TPA SHOWN IN FINAL
LOCKED POSITION



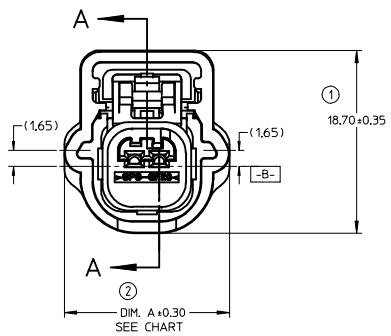
BOTTOM VIEW



ITEM	DESCRIPTION	COLOR
1	CONNECTOR HOUSING	SEE CHART
2	TERMINAL HOUSING	BLACK
3	TPA	NATURAL
4	MATTE SEAL	SEE CHART
5	PERIPHERAL SEAL	SEE CHART
6	CPA - OPTIONAL	RED

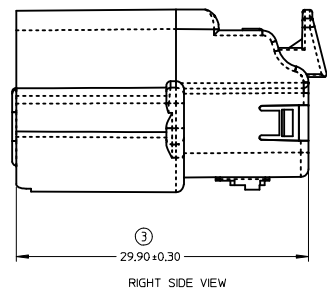
NOTES:

- DESIGNED TO MATE WITH DEVICE CONNECTION AS SPECIFIED IN USCAR DRAWINGS AVAILABLE AT <http://ewcap.uscarteams.org/>.
 - 1X2 064-S-002-1-Z02
 - 1X3 064-S-003-1-Z01
 - 1X4 064-S-004-1-Z02
 - 1X5 064-S-005-1-Z02
 - 1X6 064-S-006-1-Z02
 - 1X8 064-S-008-1-Z02
- ASSEMBLY SHIPPED WITH TPA IN PRE-LOCKED POSITION (SEE SECTION A-A). UPON FULL TERMINAL ASSEMBLY, TPA MUST BE SEATED TO THE FINAL LOCKED POSITION.
- TPA'S MAY BECOME SEATED DURING TRANSIT. IF THIS OCCURS, TPA'S SHOULD BE MOVED TO THE PRE-LOCKED POSITION PRIOR TO FEMALE TERMINAL INSTALLATION. REFERENCE PRODUCT SPECIFICATION: PS-34646-001
- SYSTEM TO BE USED WITH OUTSIDE WIRE DIAMETERS RANGING FROM 1.20MM TO 2.06MM WITHIN RANGE OF:
 - SAE 22 AWG TO 18 AWG PER ESB-MIL123-A2
 - ISO 0.35MM² TO 0.75MM² PER GMW15626 AND ES-AUST-1A348-AA
- POLARIZATION FEATURE EFFECTIVENESS PER USCAR-2 PARAGRAPH 5.4.4 IS REDUCED WHEN TESTING ALL POLARIZATION OPTIONS: 100N MIN.
- DATE CODE: FIRST TWO DIGITS ARE THE CALENDAR YEAR (EXAMPLE: 04 = 2004), THIRD THROUGH 5TH DIGIT DAY # OF THE CALENDAR YEAR (EXAMPLE: FEB. 3RD = '034').
- SEE SHEET #2 FOR CONNECTOR ASSEMBLY WITH CLIP SLOT.
- FOR CLIPSSLOT CONNECTOR: CLIP OVERHANGS CONNECTOR, PLEASE CHECK APPLICATION (COULD CAUSE WIRE CHAFING)-SHORTER CLIP IS A RECOMMENDATION.

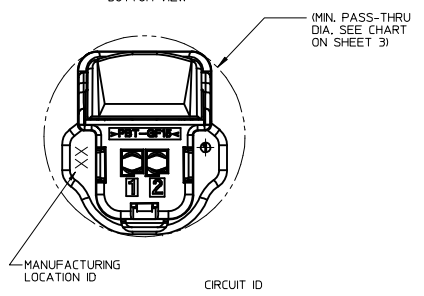


FRONT VIEW

POLARIZATION A

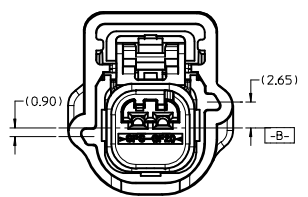


RIGHT SIDE VIEW

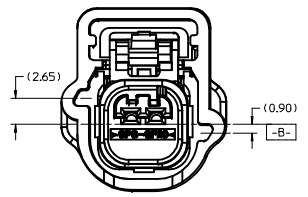


BACK VIEW

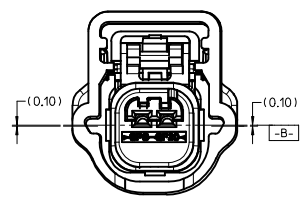
CONNECTOR ASSEMBLY WITHOUT CLIPSLOT



POLARIZATION B



POLARIZATION C



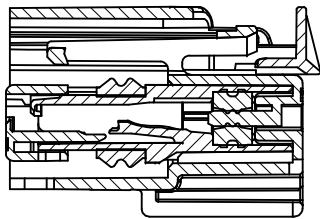
POLARIZATION D

PART NUMBER LEGEND CONNECTOR ASSEMBLY

- 3140X-XXXX
 - SEAL PLUG CONFIGURATION (AS MOLDED)
 - 0 - ALL CIRCUITS OPEN
 - 1-9 SEE CHART
 - CPA OPTION
 - 0 OR 2 - WITHOUT CPA
 - 1 OR 3 - WITH CPA
 - 4 - WITHOUT CPA, WITH CLIPSLOT
 - 5 - WITH CPA, WITH CLIPSLOT
 - USCAR POLARIZATION OPTION
 - 1 - POLARIZATION OPTION A
 - 2 - POLARIZATION OPTION B
 - 3 - POLARIZATION OPTION C
 - 4 - POLARIZATION OPTION D
 - 5 - POLARIZATION OPTION B, BLACK
 - 6 - POLARIZATION OPTION C, BLACK
 - 7 - POLARIZATION OPTION D, BLACK
 - 8 - POLARIZATION OPTION C, NATURAL
 - 9 - POLARIZATION OPTION D, GRAY
 - CIRCUIT SIZE 2, 3, 4, 5, 6 & 8
 - TERMINAL OPTION
 - 2 - TYCO/MOLEX GET 0.64
 - 3 - MOLEX 0.64
 - 4 - YAZAKI KAIZEN 0.64

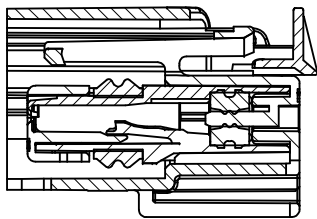
EC NO: UAU2013-0611
 2012/10/19
 DRWNTYE
 CHKD:
 APPR:WKOSHY
 2012/11/06
 DESCRIPTION

QUALITY SYMBOLS 	GENERAL TOLERANCES (UNLESS SPECIFIED)		DIMENSION STYLE MM ONLY		SCALE 4:1	DESIGN UNITS METRIC	THIRD ANGLE PROJECTION
	4 PLACES ±.005	±.005	±.005	±.005	DRAWN BY RCARLSON	DATE 2003/09/25	TITLE 0.64 USCAR CONNECTOR SEALED SINGLE ROW ASSEMBLY
3 PLACES ±.010	±.010	±.010	±.010	CHECKED BY RCARLSON	DATE 2004/09/28		
2 PLACES ±0.13	±0.13	±0.13	±0.13	APPROVED BY VKOSHY	DATE 2010/11/22		
1 PLACE ±0.3	±0.3	±0.3	±0.3	MATERIAL NO. SEE CHART		DOCUMENT NO. SD-31402-211	SHEET NO. 1 OF 5
DRAFT WHERE APPLICABLE MUST REMAIN WITHIN DIMENSIONS		SIZE D		THIS DRAWING CONTAINS INFORMATION THAT IS PROPRIETARY TO MOLEX INCORPORATED AND SHOULD NOT BE USED WITHOUT WRITTEN PERMISSION			



SECTION C-C

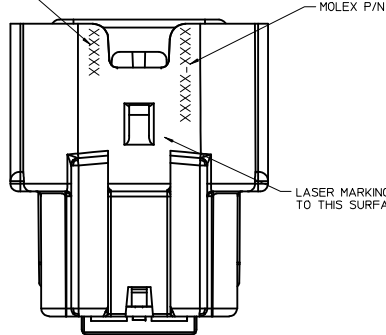
TPA SHOWN IN AS-SHIPED
PRE-LOCKED POSITION
SEE NOTE 3



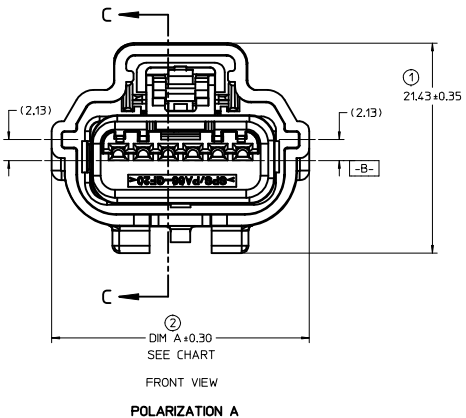
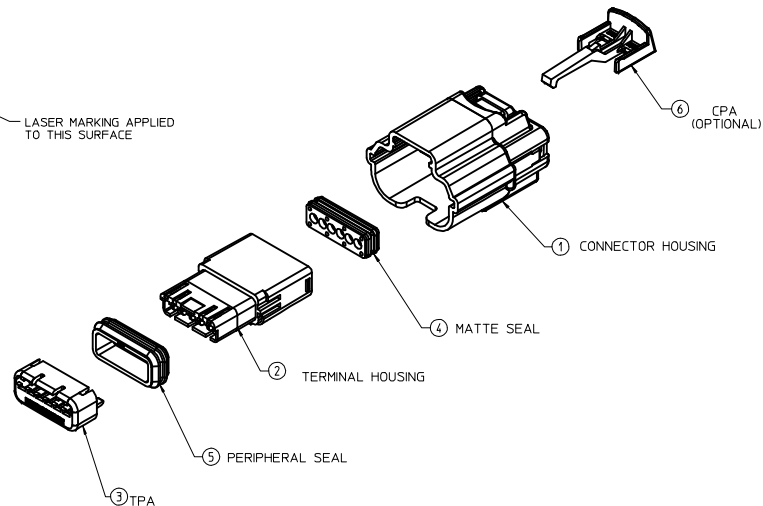
SECTION C-C

TPA SHOWN IN FINAL
LOCKED POSITION

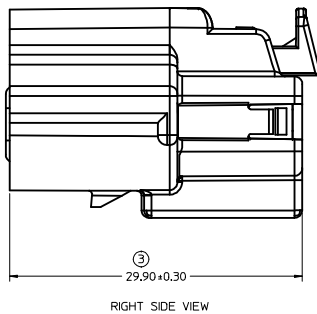
DATE CODE
SEE NOTE 6



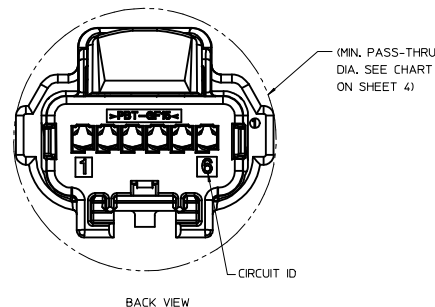
BOTTOM VIEW



FRONT VIEW
POLARIZATION A



RIGHT SIDE VIEW



BACK VIEW

CONNECTOR ASSEMBLY WITH CLIPSLOT

ENTER DESCRIPTION IEC NO. UAU2013-0611 2012/10/19 DRAWN BY J9 CHKD: APPR:VKOSHY 2012/11/06 DESCRIPTION	QUALITY SYMBOLS ∇=0 ∇=0 ∇=0		GENERAL TOLERANCES (UNLESS SPECIFIED) <table border="1"> <thead> <tr> <th></th> <th>mm</th> <th>INCH</th> </tr> </thead> <tbody> <tr> <td>4 PLACES</td> <td>± .13</td> <td>± .005</td> </tr> <tr> <td>3 PLACES</td> <td>± .13</td> <td>± .005</td> </tr> <tr> <td>2 PLACES</td> <td>± 0.13</td> <td>± .005</td> </tr> <tr> <td>1 PLACE</td> <td>± 0.3</td> <td>± .012</td> </tr> </tbody> </table> ANGULAR ± 3°			mm	INCH	4 PLACES	± .13	± .005	3 PLACES	± .13	± .005	2 PLACES	± 0.13	± .005	1 PLACE	± 0.3	± .012	DIMENSION STYLE MM ONLY	SCALE 4:1	DESIGN UNITS METRIC	THIRD ANGLE PROJECTION
		mm	INCH																				
	4 PLACES	± .13	± .005																				
	3 PLACES	± .13	± .005																				
2 PLACES	± 0.13	± .005																					
1 PLACE	± 0.3	± .012																					
WATER MARK MOLEX	DRAWN BY R CARLSON	DATE 2003/09/25	CHECKED BY DATE	APPROVED BY DATE VKOSHY 2010/11/22	TITLE 0.64 USCAR CONNECTOR SEALED SINGLE ROW ASSEMBLY																		
MATERIAL NO. SEE CHART	ANGULAR ± 3°			SIZE D	MOLEX INCORPORATED																		
DRAFT WHERE APPLICABLE MUST REMAIN WITHIN DIMENSIONS					DOCUMENT NO. SD-31402-211	SHEET NO. 2 OF 5																	

PART NUMBER WITHOUT CPA	PART NUMBER WITH CPA	CLIP/SLOT OPTION	ROW/CIRCUITS	KEY*	MATTE SEAL COLOR	PERIMETER SEAL COLOR	CONNECTOR COLOR	WIDTH (A)	MIN. PASS THRU DIA.	FEMALE TERMINAL SUPPLIER	USCAR FOOTPRINT DRAWING NO.	STATUS							
31402-2100	31402-2110	NO	1 X 2	A	ROYAL BLUE	BLUE	BLACK	16.88	(20.80)	TYCO OR MOLEX GET 0.64	064-S-002-1-Z02	TOOLED							
31402-2200	31402-2210			B			GRAY					TOOLED							
31402-2300	31402-2310			C			BROWN					TOOLED, COLOR UNAVAILABLE							
31402-2400	31402-2410			D			GREEN					TOOLED, COLOR UNAVAILABLE							
31402-2500	31402-2510			B			BLACK					TOOLED							
31402-2600	31402-2610			C			BLACK					TOOLED							
31402-2700	31402-2710			D			BLACK					TOOLED							
31403-2100	31403-2110			A			BLACK					TOOLED							
31403-2200	31403-2210			B			GRAY					TOOLED							
31403-2300	31403-2310			C			BROWN					TOOLED, COLOR UNAVAILABLE							
31403-2400	31403-2410			D			GREEN					TOOLED, COLOR UNAVAILABLE							
31403-2500	31403-2510			B			BLACK					TOOLED							
31403-2600	31403-2610			C			BLACK			TOOLED BUT NOT VALIDATED									
31403-2700	31403-2710			D			BLACK			TOOLED									
31403-2800	31403-2810			C			NATURAL			OK TO TOOL									
31403-2900	31403-2910			D			GRAY			TOOLED									
31404-2100	31404-2110			A			BLACK			NOT TOOLED									
31404-2200	31404-2210			B			GRAY			NOT TOOLED									
31404-2300	31404-2310			C			BROWN			NOT TOOLED									
31404-2400	31404-2410			D			GREEN			NOT TOOLED									
31404-2500	31404-2510			B			BLACK			NOT TOOLED									
31404-2600	31404-2610			C			BLACK			NOT TOOLED									
31404-2700	31404-2710			D			BLACK			NOT TOOLED									
31402-3100	31402-3110			NO			1 X 3			A		LIGHT BLUE	RUST RED	BLACK	18.70	(22.00)	TYCO OR MOLEX GET 0.64	064-S-003-1-Z01	TOOLED
31402-3200	31402-3210	B	GRAY		TOOLED, COLOR UNAVAILABLE														
31402-3300	31402-3310	C	BROWN		TOOLED, COLOR UNAVAILABLE														
31402-3400	31402-3410	D	GREEN		TOOLED, COLOR UNAVAILABLE														
31402-3500	31402-3510	B	BLACK		TOOLED														
31402-3600	31402-3610	C	BLACK		TOOLED														
31402-3700	31402-3710	D	BLACK		TOOLED														
31403-3100	31403-3110	A	BLACK		TOOLED														
31403-3200	31403-3210	B	GRAY		TOOLED														
31403-3300	31403-3310	C	BROWN		TOOLED, COLOR UNAVAILABLE														
31403-3400	31403-3410	D	GREEN		TOOLED, COLOR UNAVAILABLE														
31403-3500	31403-3510	B	BLACK		TOOLED														
31403-3600	31403-3610	C	BLACK		TOOLED														
31403-3700	31403-3710	D	BLACK		TOOLED														
31404-3100	31404-3110	A	BLACK		TOOLED														
31404-3200	31404-3210	B	GRAY		TOOLED														
31404-3300	31404-3310	C	BROWN		TOOLED, COLOR UNAVAILABLE														
31404-3400	31404-3410	D	GREEN		TOOLED, COLOR UNAVAILABLE														
31404-3500	31404-3510	B	BLACK		TOOLED														
31404-3600	31404-3610	C	BLACK		TOOLED														
31404-3700	31404-3710	D	BLACK		TOOLED														
31402-4100	31402-4110	NO	1 X 4		A	TBD		TBD	BLACK	21.25	(22.34)			TYCO OR MOLEX GET 0.64			064-S-004-1-Z02		NOT TOOLED
31402-4200	31402-4210				B				GRAY										NOT TOOLED
31402-4300	31402-4310				C				BROWN										NOT TOOLED
31402-4400	31402-4410			D	GREEN		NOT TOOLED												
31402-4500	31402-4510			B	BLACK		NOT TOOLED												
31402-4600	31402-4610			C	BLACK		NOT TOOLED												
31402-4700	31402-4710			D	BLACK		NOT TOOLED												
31403-4100	31403-4110			A	BLACK		NOT TOOLED												
31403-4200	31403-4210			B	GRAY		NOT TOOLED												
31403-4300	31403-4310			C	BROWN		NOT TOOLED												
31403-4400	31403-4410			D	GREEN		NOT TOOLED												
31403-4500	31403-4510			B	BLACK		NOT TOOLED												
31403-4600	31403-4610			C	BLACK		NOT TOOLED												
31403-4700	31403-4710			D	BLACK		NOT TOOLED												
31404-4100	31404-4110			A	BLACK		NOT TOOLED												
31404-4200	31404-4210			B	GRAY		NOT TOOLED												
31404-4300	31404-4310			C	BROWN		NOT TOOLED												
31404-4400	31404-4410			D	GREEN		NOT TOOLED												
31404-4500	31404-4510			B	BLACK		NOT TOOLED												
31404-4600	31404-4610			C	BLACK		NOT TOOLED												
31404-4700	31404-4710			D	BLACK		NOT TOOLED												

IEC NO: UAU2013-0611 2012/10/19 DRAWN BY: J9 CHKD: APPR: VKOSHY 2012/11/06	QUALITY SYMBOLS ▽=0 ▽=0	GENERAL TOLERANCES (UNLESS SPECIFIED) mm INCH 4 PLACES ±.--- ±.--- 3 PLACES ±.--- ±.--- 2 PLACES ±0.13 ±.--- 1 PLACE ±0.3 ±.--- ANGULAR ± 3°	DIMENSION STYLE MM ONLY DRAWN BY: R CARLSON DATE: 2003/09/25 CHECKED BY: R CARLSON DATE: 2004/09/28 APPROVED BY: VKOSHY DATE: 2010/11/22	SCALE: 4:1 DESIGN UNITS: METRIC THIRD ANGLE PROJECTION	TITLE: 0.64 USCAR CONNECTOR SEALED SINGLE ROW ASSEMBLY MOLEX INCORPORATED
	DRAFT WHERE APPLICABLE MUST REMAIN WITHIN DIMENSIONS	MATERIAL NO. SEE CHART SIZE: D	DOCUMENT NO. SD-31402-211 SHEET NO. 3 OF 5	THIS DRAWING CONTAINS INFORMATION THAT IS PROPRIETARY TO MOLEX INCORPORATED AND SHOULD NOT BE USED WITHOUT WRITTEN PERMISSION	

PART NUMBER WITHOUT CPA	PART NUMBER WITH CPA	CLIP/SLOT OPTION	ROW/ CIRCUITS	KEY*	MATTE SEAL COLOR	PERIMETER SEAL COLOR	CONNECTOR COLOR	WIDTH DIM (A)	MIN. PASS THRU DIA.	FEMALE TERMINAL SUPPLIER	USCAR FOOTPRINT DRAWING NO.	STATUS
31402-5100	31402-5110	NO	1 X 5	A	TBD	TBD	BLACK	23.80	(24.28)	TYCO OR MOLEX GET 0.64	064-S-005-1-202	NOT TOOLED
31402-5200	31402-5210			B			GRAY					NOT TOOLED
31402-5300	31402-5310			C			BROWN					NOT TOOLED
31402-5400	31402-5410			D			GREEN					NOT TOOLED
31402-5500	31402-5510			B			BLACK					NOT TOOLED
31402-5600	31402-5610			C			BLACK					NOT TOOLED
31402-5700	31402-5710			D			BLACK					NOT TOOLED
31403-5100	31403-5110			A			BLACK					NOT TOOLED
31403-5200	31403-5210			B			GRAY					NOT TOOLED
31403-5300	31403-5310			C			BROWN					NOT TOOLED
31403-5400	31403-5410			D			GREEN			NOT TOOLED		
31403-5500	31403-5510			B			BLACK			NOT TOOLED		
31403-5600	31403-5610			C			BLACK			NOT TOOLED		
31403-5700	31403-5710			D			BLACK			NOT TOOLED		
31404-5100	31404-5110			A			BLACK			NOT TOOLED		
31404-5200	31404-5210			B			GRAY			NOT TOOLED		
31404-5300	31404-5310			C			BROWN			NOT TOOLED		
31404-5400	31404-5410			D			GREEN			NOT TOOLED		
31404-5500	31404-5510			B			BLACK			NOT TOOLED		
31404-5600	31404-5610			C			BLACK			NOT TOOLED		
31404-5700	31404-5710	D	BLACK	NOT TOOLED								
31402-6100	31402-6110	NO	1 X 6	A	ROYAL BLUE	LIGHT BLUE	BLACK	26.33	(26.82)	TYCO OR MOLEX GET 0.64	064-S-006-1-202	TOOLED
31402-6200	31402-6210			B			GRAY					TOOLED
31402-6300	31402-6310			C			BROWN					TOOLED, COLOR UNAVAILABLE
31402-6400	31402-6410			D			GREEN					TOOLED, COLOR UNAVAILABLE
31402-6500	31402-6510			B			BLACK					TOOLED
31402-6600	31402-6610			C			BLACK					TOOLED
31402-6700	31402-6710			D			BLACK					TOOLED
31403-6100	31403-6110			A			BLACK					TOOLED
31403-6200	31403-6210			B			GRAY					TOOLED
31403-6300	31403-6310			C			BROWN					TOOLED, COLOR UNAVAILABLE
31403-6400	31403-6410			D			GREEN			TOOLED, COLOR UNAVAILABLE		
31403-6500	31403-6510			B			BLACK			TOOLED		
31403-6600	31403-6610			C			BLACK			TOOLED		
31403-6700	31403-6710			D			BLACK			TOOLED		
31404-6100	31404-6110			A			BLACK			TOOLED		
31404-6200	31404-6210			B			GRAY			TOOLED		
31404-6300	31404-6310			C			BROWN			TOOLED, COLOR UNAVAILABLE		
31404-6400	31404-6410			D			GREEN			TOOLED, COLOR UNAVAILABLE		
31404-6500	31404-6510			B			BLACK			TOOLED		
31404-6600	31404-6610			C			BLACK			TOOLED		
31404-6700	31404-6710	D	BLACK	TOOLED								
31404-6800	31404-6810	C	NATURAL	OK TO TOOL								

IEC NO: JAU2013-0611 2012/10/19 DRAWN BY: J9 CHKD: J9 APPR: VKOSHY 2012/11/06 DESCRIPTION:	QUALITY SYMBOLS	GENERAL TOLERANCES (UNLESS SPECIFIED)	DIMENSION STYLE	SCALE	DESIGN UNITS	THIRD ANGLE PROJECTION
	▽=0 ▽=0	mm INCH 4 PLACES ± --- ± --- 3 PLACES ± --- ± --- 2 PLACES ± 0.13 ± --- 1 PLACE ± 0.3 ± --- ANGULAR ± 3 °	MM ONLY	4:1	METRIC	
	DRAWN BY: R CARLSON DATE: 2003/09/25 CHECKED BY: R CARLSON DATE: 2004/09/28 APPROVED BY: VKOSHY DATE: 2010/11/22	TITLE: 0.64 USCAR CONNECTOR SEALED SINGLE ROW ASSEMBLY		MOLEX INCORPORATED		
	MATERIAL NO: SEE CHART SIZE: D	DRAFT WHERE APPLICABLE MUST REMAIN WITHIN DIMENSIONS		DOCUMENT NO: SD-31402-211	SHEET NO: 4 OF 5	

