

PDR#S-001346-00-00	2006/08/28
EC NO: S2007-0138	2006/08/28
DRWN:GMENARLY	2006/08/28
CHKD:M LONG	2006/08/28
APPR:SKTOH	2006/08/28

QUALITY SYMBOLS	▽=0
	▽=0
DESCRIPTION	
REV	

GENERAL TOLERANCES (UNLESS SPECIFIED)	DIMENSION STYLE MM/IN	
	mm	INCH
4 PLACES ± ---	± ---	
3 PLACES ± ---	± .01	
2 PLACES ± 0.25	± ---	
1 PLACE ± ---	± ---	
	ANGULAR ± 3 °	
DRAFT WHERE APPLICABLE MUST REMAIN WITHIN DIMENSIONS	SEE TABLE	

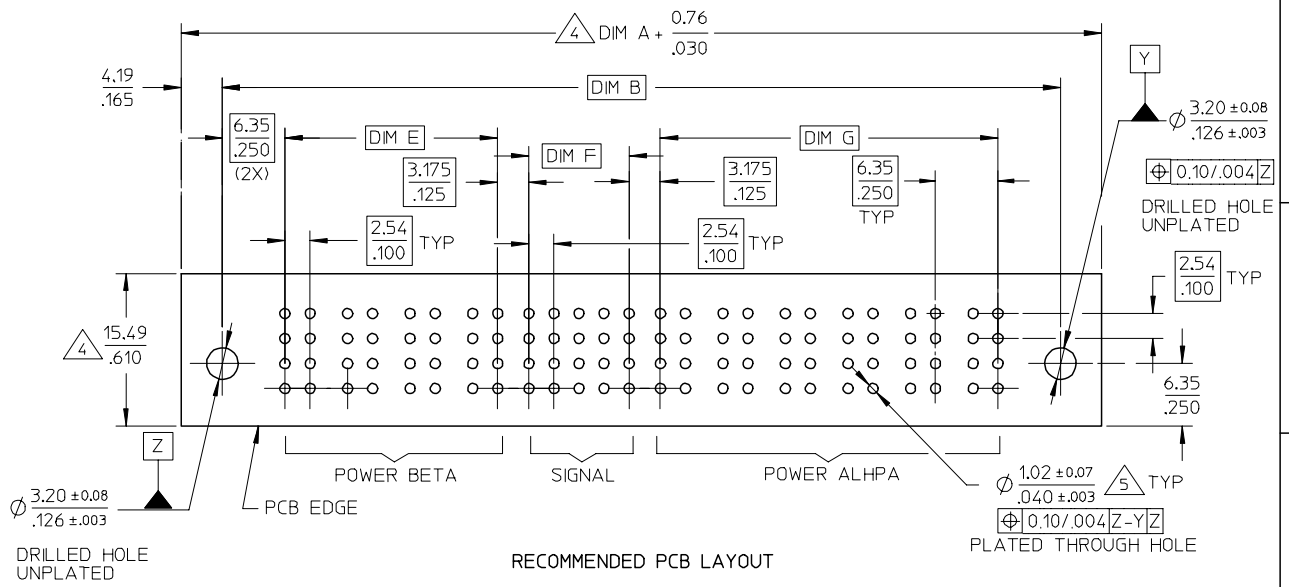
DRAWN BY	DATE	TITLE
KMGOH	2002/08/22	POWER CONN. RECEPTACLE P(B)-S-P(A) CONFIG. R/A, T/H, SCREW MOUNT
CHECKED BY	DATE	
PTL IM	2002/11/25	
APPROVED BY	DATE	
SKTOH	2002/11/26	
MATERIAL NO.	DOCUMENT NO.	SHEET NO.
	SD-87632-016	1 OF 2

SCALE NTS	DESIGN UNITS METRIC	THIRD ANGLE PROJECTION
MOLEX INCORPORATED		
THIS DRAWING CONTAINS INFORMATION THAT IS PROPRIETARY TO MOLEX INCORPORATED AND SHOULD NOT BE USED WITHOUT WRITTEN PERMISSION		

ASSEMBLY PART NUMBER	P-S-P CONFIGURATION			DIM A	DIM B	DIM C	DIM D	DIM E	DIM F	DIM G	RECESSED POWER CIRCUIT	VOID PIN LOCATION	PACKAGING
	POWER BETA	SIGNAL	POWER ALPHA										
87632-2001	2	24	2	$\frac{57.15}{2.250}$	$\frac{49.53}{1.950}$	$\frac{48.26}{1.900}$	$\frac{34.29}{1.350}$	$\frac{8.89}{.350}$	$\frac{12.70}{.500}$	$\frac{8.89}{.350}$	NIL	NIL	TRAY
87632-2002	2	12	2	$\frac{49.53}{1.950}$	$\frac{41.91}{1.650}$	$\frac{40.64}{1.600}$	$\frac{26.67}{1.050}$	$\frac{8.89}{.350}$	$\frac{5.08}{.200}$	$\frac{8.89}{.350}$			
87632-2003	4	20	4	$\frac{80.01}{3.150}$	$\frac{72.39}{2.850}$	$\frac{71.12}{2.800}$	$\frac{57.15}{2.250}$	$\frac{21.59}{.850}$	$\frac{10.16}{.400}$	$\frac{21.59}{.850}$			
87632-2007	4	28	6	$\frac{97.79}{3.850}$	$\frac{90.17}{3.550}$	$\frac{88.90}{3.500}$	$\frac{74.93}{2.950}$	$\frac{21.59}{.850}$	$\frac{15.24}{.600}$	$\frac{34.29}{1.350}$	A3,A4,A5,A6 B1,B2,B3,B4	A7,B7,C7,D7	
87632-2008	4	24	6	$\frac{95.25}{3.750}$	$\frac{87.63}{3.450}$	$\frac{86.36}{3.400}$	$\frac{72.39}{2.850}$	$\frac{21.59}{.850}$	$\frac{12.70}{.500}$	$\frac{34.29}{1.350}$	NIL	NIL	
87632-2009	4	24	6	$\frac{95.25}{3.750}$	$\frac{87.63}{3.450}$	$\frac{86.36}{3.400}$	$\frac{72.39}{2.850}$	$\frac{21.59}{.850}$	$\frac{12.70}{.500}$	$\frac{34.29}{1.350}$	A3,A4,A5,A6		

NOTES

- MATERIALS :-
HOUSING - LCP, GLASS FILLED, UL94V-0, COLOR : BLACK.
SIGNAL TERMINAL - COPPER ALLOY
POWER TERMINAL - COPPER ALLOY
- FINISH :-
SIGNAL & POWER CONTACTS
0.76um MIN. GOLD (Au) AT CONTACT AREA AND 2.54um MIN. TIN AT SOLDER TAIL AREA OVER 1.27um MIN. NICKEL (Ni) UNDERPLATE.
- PRODUCT SPECIFICATION : PS-87631-006.
- COMPONENT STAY AWAY ZONE FROM CONNECTOR.
- PCB NOTE FOR DIAMETER 1.02/.040 PLATED HOLE
- DRILLED HOLE SIZE IS 1.151/.0453
- PLATE WITH 0.007/.0003 MINIMUM TIN OVER 0.03/.001 TO 0.08/.003 COPPER PLATING TO ACHIEVE 1.02±0.08/.040±.003 HOLE.
- ALL TERMINAL TIPS ARE DESIGNED WITH EXPOSE BASE COPPER. THIS IS CREATED BY FINAL CUTTING PROCESS PLATING.
- MANUFACTURER LOGO, PART NUMBER AND YEAR-WEEK CODE.
- 4 POWER BETA-20SIGNAL-6 POWER ALPHA IS SHOWN FOR ILLUSTRATION. POWER-SIGNAL-POWER CONFIGURATION IS AVAILABLE UP TO 203MM/8INCH. PLEASE CONTACT MOLEX SALES PERSONNEL FOR OTHER CONFIGURATION AND OPTION NEEDED.



PDR#S-001358-00-00 EC NO: S2007-0138 DRWN:GMENARLY CHKD:M.LONG APPR:SKTOH	2006/08/28 2006/08/28 2006/08/28	QUALITY SYMBOLS ▽=0 ▽=0	GENERAL TOLERANCES (UNLESS SPECIFIED)		DIMENSION STYLE		SCALE	DESIGN UNITS	THIRD ANGLE PROJECTION			
					MM/IN		NTS	METRIC				
							DRAWN BY	DATE	TITLE			
							CHECKED BY	DATE	POWER CONN. RECEPTACLE P(B)-S-P(A) CONFIG. R/A, T/H, SCREW MOUNT			
				1 PLACE ± --- ± ---		APPROVED BY		DATE	MOLEX INCORPORATED			
				ANGULAR ± 3 °		SKTOH		2002/11/26	DOCUMENT NO.			
				DRAFT WHERE APPLICABLE MUST REMAIN WITHIN DIMENSIONS		SEE TABLE		SD-87632-016		SHEET NO.		
										2 OF 2		