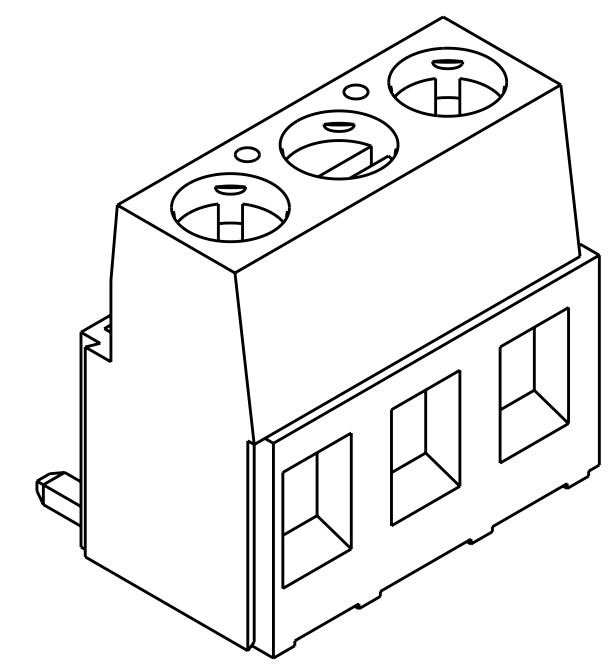
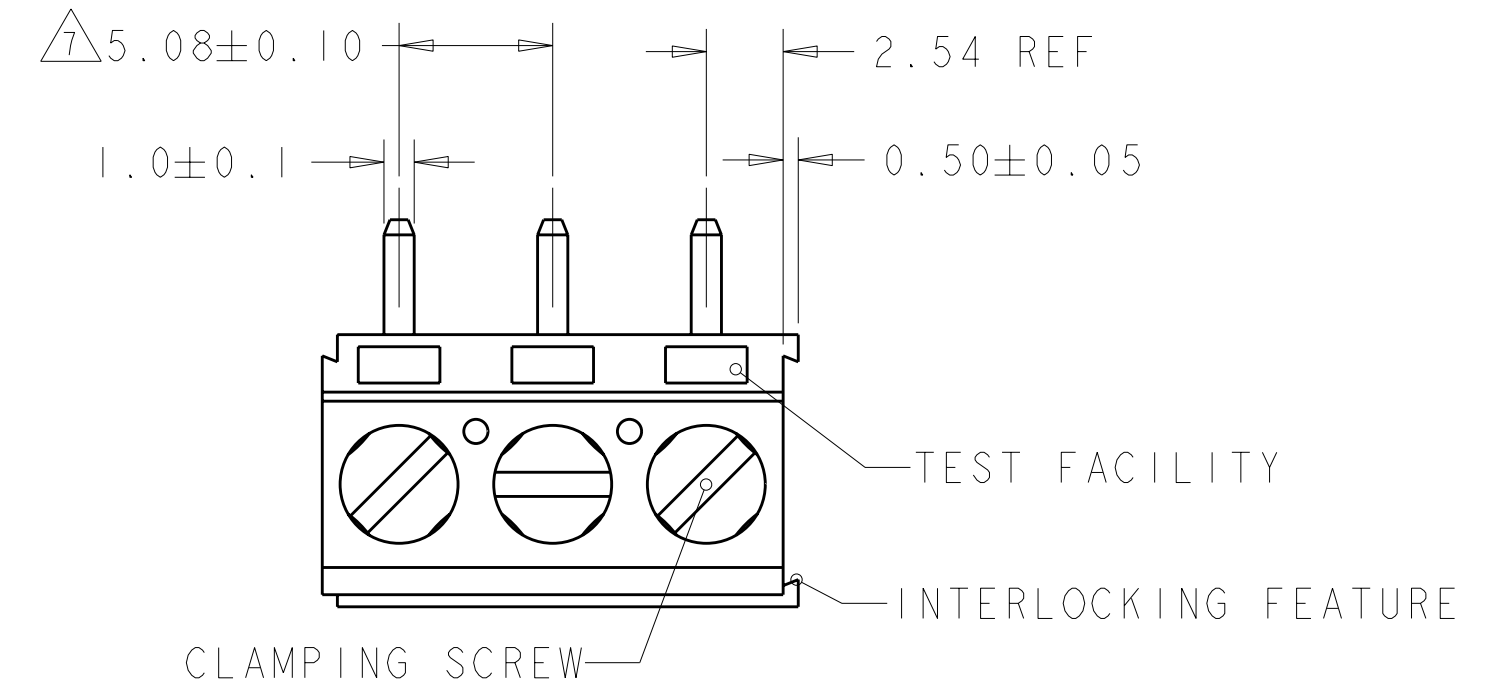


THIS DRAWING IS UNPUBLISHED. RELEASED FOR PUBLICATION 20
 © COPYRIGHT 20 BY - ALL RIGHTS RESERVED.

| LOC | | DIST | | REVISIONS | | | |
|-----|-----|---------------------------|-----------|-----------|------|--|--|
| P | LTR | DESCRIPTION | DATE | DWN | APVD | | |
| FT | 0 | | | | | | |
| | BI | REVISED PER ECO-11-004835 | 11MAR2011 | RK | HMR | | |



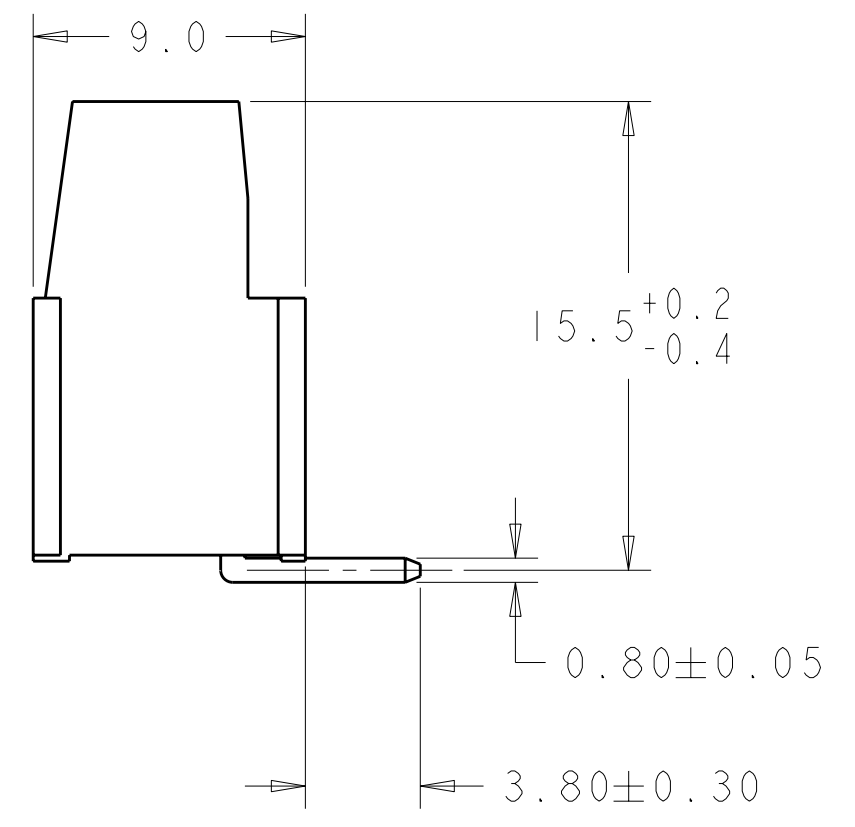
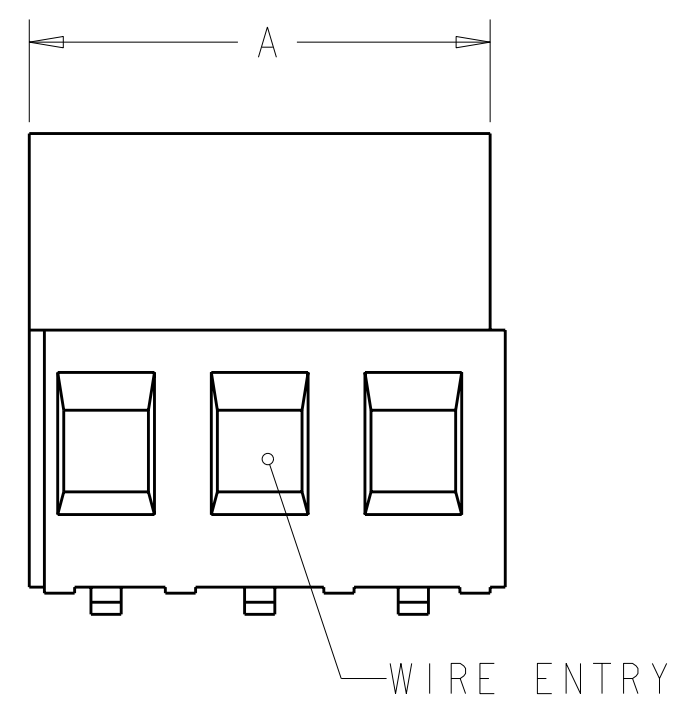
1547063-3 AS SHOWN



1 MATERIALS AND FINISH
 HOUSING: PA 6-6, UL 94-V0, COLOR BLACK.
 CLAMP: BRASS, NICKEL PLATED.
 TERMINAL: BRASS, TIN PLATED.
 CLAMPING SCREW: M3, BRASS, NICKEL PLATED.

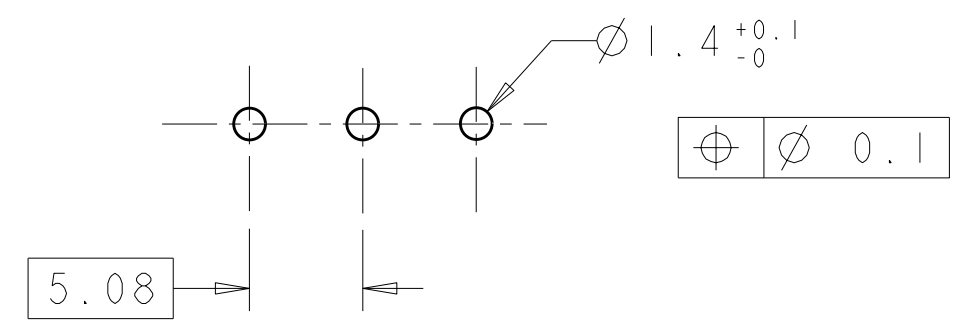
- 2 SUITABLE FOR 1,6-2,4mm PC BOARD THICKNESS.
- 3 END-TO-END STACKABLE W/INTERLOCK WITHOUT LOSS OF CENTERLINE SPACING.
- 4 WIRE SIZE RANGE
 SOLID WIRE: 0,03-2,5mm² (13AWG).
 STRANDED WIRE: 0,03-1,5mm² (15AWG).
- 5 RECOGNIZED UNDER THE COMPONENT PROGRAM OF UNDERWRITERS LABORATORIES INC. FILE N° E60677.
- 6 IMQ CERTIFICATE WITH SURVEILLANCE IN CONFORMITY WITH IEC 998-1/998-2-1.

7 NOT CUMULATIVE TOLERANCE.



| | | |
|--------|------------|-------------|
| 127.00 | 25 | 2-1546073-5 |
| 121.92 | 24 | 2-1546073-4 |
| 116.84 | 23 | 2-1546073-3 |
| 111.76 | 22 | 2-1546073-2 |
| 106.68 | 21 | 2-1546073-1 |
| 101.60 | 20 | 2-1546073-0 |
| 96.52 | 19 | 1-1546073-9 |
| 91.44 | 18 | 1-1546073-8 |
| 86.36 | 17 | 1-1546073-7 |
| 81.28 | 16 | 1-1546073-6 |
| 76.20 | 15 | 1-1546073-5 |
| 71.12 | 14 | 1-1546073-4 |
| 66.04 | 13 | 1-1546073-3 |
| 60.96 | 12 | 1-1546073-2 |
| 55.88 | 11 | 1-1546073-1 |
| 50.80 | 10 | 1-1546073-0 |
| 45.72 | 9 | 1546073-9 |
| 40.64 | 8 | 1546073-8 |
| 35.56 | 7 | 1546073-7 |
| 30.48 | 6 | 1546073-6 |
| 25.40 | 5 | 1546073-5 |
| 20.32 | 4 | 1546073-4 |
| 15.24 | 3 | 1546073-3 |
| 10.16 | 2 | 1546073-2 |
| DIM A | No OF POS. | PART NUMBER |

RECOMMENDED PCB LAYOUT



| | | | | |
|--|--|------------------------------|---|--|
| THIS DRAWING IS A CONTROLLED DOCUMENT. | | DWN: E. ZANOLINI 16AUG2001 | TE Connectivity | |
| DIMENSIONS: mm | | CHK: D. BIEVENOUR 16AUG2001 | | |
| TOLERANCES UNLESS OTHERWISE SPECIFIED: | | APVD: D. BIEVENOUR 16AUG2001 | NAME: TERMINAL BLOCK PCB MOUNT TOP ENTRY WIRE, STACKING W/INTERLOCK, 5.08mm PITCH | |
| 0 PLC ±.2 | | PRODUCT SPEC: 108-20166 | SIZE: A2 | |
| 1 PLC ±.15 | | APPLICATION SPEC: 114-20079 | CAGE CODE: 00779 | |
| 2 PLC ±. | | WEIGHT: - | DRAWING NO: 1546073 | |
| 3 PLC ±. | | CUSTOMER DRAWING | | |
| 4 PLC ±. | | SCALE: 4:1 | | |
| ANGLES ±2 | | SHEET 1 OF 1 | | |
| FINISH | | REV: BI | | |