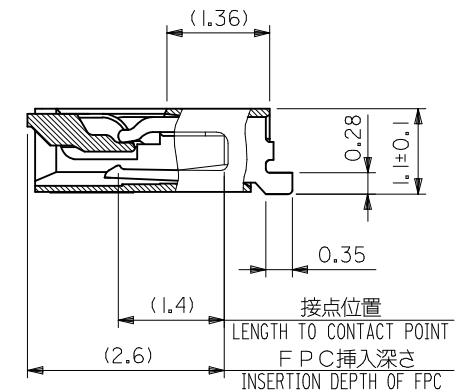
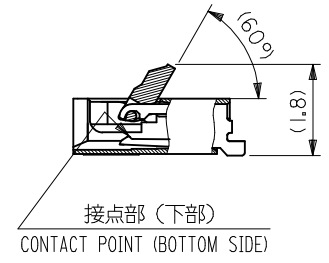
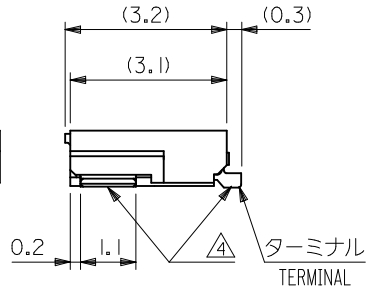
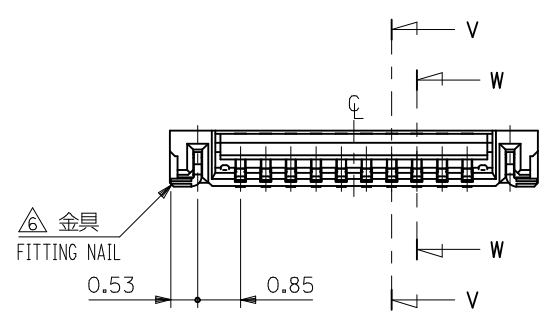


断面 V-V 奇数極 (Scale 15:1)
SECT. V-V (ODD CIRCUIT)



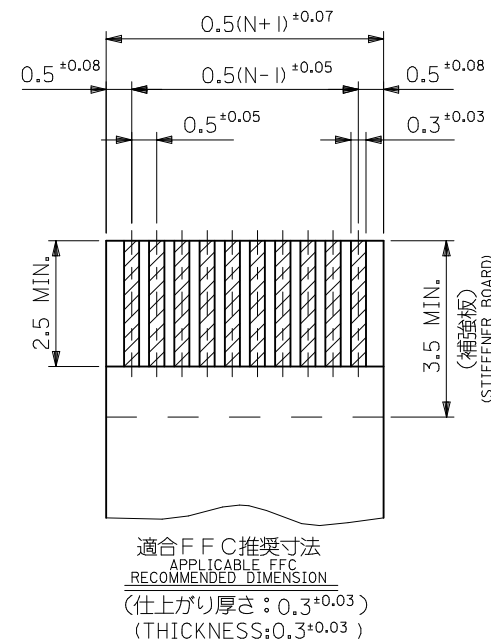
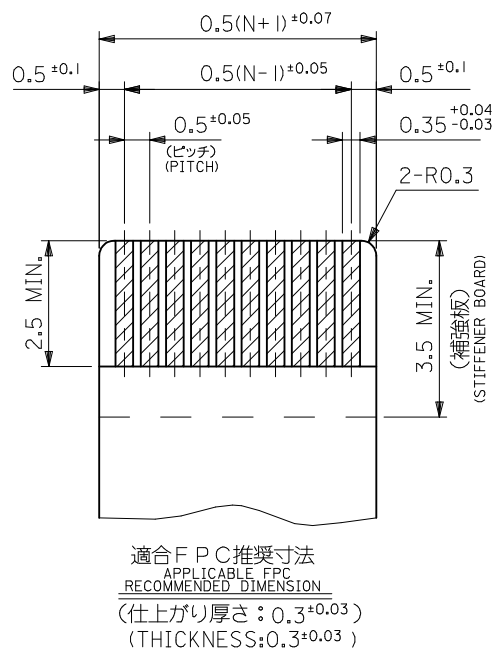
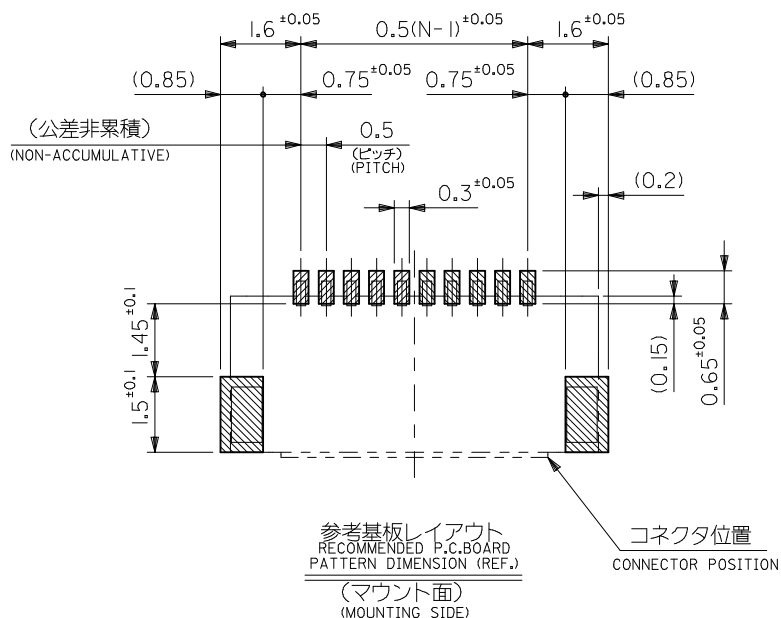
断面 W-W 偶数極 (Scale 15:1)
SECT. W-W (EVEN CIRCUIT)



(アクチュエータが開いた状態)
(WHEN ACTUATOR IS OPENED)

8.8	8.0	10.8	51441-1771	51441-1729	17
6.3	5.5	8.3	51441-1271	51441-1229	12
5.8	5.0	7.8	51441-1171	51441-1129	11
5.3	4.5	7.3	51441-1071	51441-1029	10
4.8	4.0	6.8	51441-0971	51441-0929	9
4.3	3.5	6.3	51441-0871	51441-0829	8
3.8	3.0	5.8	51441-0771	51441-0729	7
C	B	A	EMBOSSED TAPE	製品番号	極数
			ORDER No. オーダー番号	MATERIAL No.	CIRCUIT

REVISED EC NO: J2015-0082 DRWN: INOUE01 2014/07/16 CHKD: H I JMA 2014/07/22 APPR: YNOGAWA 2014/07/22	GENERAL TOLERANCES (UNLESS SPECIFIED)		DIMENSION STYLE MM ONLY		SCALE 10:1 DESIGN UNITS METRIC		MODEL NO.	
	10 UNDER	±0.2	DRAWN BY	DATE	TITLE			
	10 OVER 30 UNDER	±0.25	M. NAGATA	2004/03/23	0.5 FPC CONN. (E/O) HSG ASSY BTM CONT(H=1.1) GOLD PLATING -LEAD FREE- molex			
	30 OVER	±0.3	K. TOJO	2004/03/23				
	ANGULAR ±3°	APPROVED BY	DATE	DOCUMENT NO.		SHEET NO.		
	DRAFT WHERE APPLICABLE MUST REMAIN WITHIN DIMENSIONS	M. SASAO	2004/03/23	SD-51441-009		1 OF 2		
		MATERIAL NO. SEE CHART		THIS DRAWING CONTAINS INFORMATION THAT IS PROPRIETARY TO MOLEX INCORPORATED AND SHOULD NOT BE USED WITHOUT WRITTEN PERMISSION				



注記 NOTES

1. 使用材料 MATERIAL

- ハウジング : 液晶ポリマー ガラス充填, UL94V-0 (ベージュ)
- HOUSING LIQUID CRYSTAL POLYMER GLASS FILLED, UL94V-0(BEIGE)
- アクチュエータ: ポリフェニレンサルファイド ガラス充填, UL94V-0 (黒)
- ACTUATOR POLYPHENYLENE SULFIDE GLASS FILLED, UL94V-0(BLACK)
- ターミナル : リン青銅 (t=0.18)
- TERMINAL PHOSPOR BRONZE
- 金具 : リン青銅 (t=0.15)
- FITTING NAIL PHOSPOR BRONZE

- 3. エンボステープ梱包時は、アクチュエータが閉じた状態とする。
IN THE PACKAGE, ACTUATOR OF PART NO.51441-**-II SHOULD BE CLOSED.
- △ソルダータール及び金具の平坦度は、0.1以下。
SOLDER TAIL AND FITTING NAIL COPLANARITY TO BE 0.1 MAXIMUM.
- △偶数極に適用。
APPLY FOR EVEN CIRCUIT.
- △パターンはくり止め用金具
FITTING NAIL FOR PREVENTION OF PEELING OF PCB PATTERN.
- 7. 本製品は51441-**-21の鉛フリー品である。
THIS PRODUCT IS LEAD FREE OF 51441-**-21

FPC/FFCについて:

打抜き方向は導体側から補強板側を推奨いたします。
導体部については軟銅箔35マイクロメートルまたは50マイクロメートルを推奨いたします。
ABOUT FPC/FFC
RECOMMENDED PUNCHER DIRECTION : FROM CONDUCTOR SIDE TO STIFFENER FILM SIDE.
RECOMMENDED CONDUCTOR SPEC :
THICKNESS OF SOFT COPPER FOIL : 35 MICROMETER OR 50 MICROMETER

FPCについて:

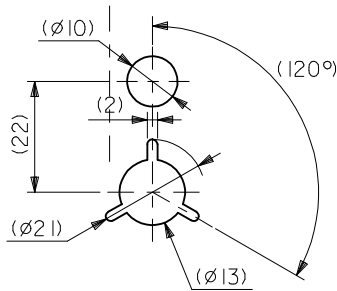
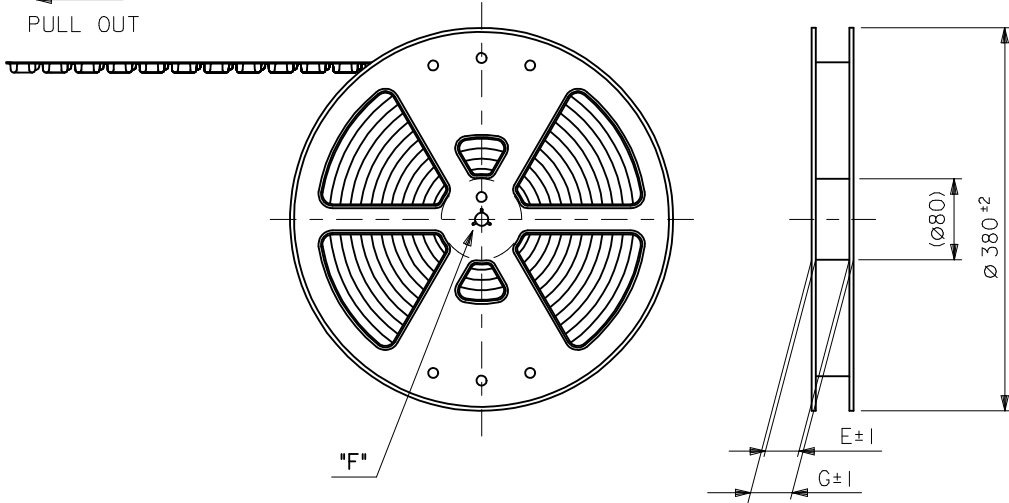
補強フィルム材質はポリイミドを推奨します。
接着剤は熱硬化接着剤を推奨します。
ABOUT FPC
RECOMMENDED MATERIAL :
STIFFENER FILM : POLYIMIDE
BONDING AGENT : THERMOSETTING BONDING AGENT

2. メッキ仕様 PLATING

- ターミナル TERMINAL
ニッケル下地金メッキ
GOLD OVER NICKEL PLATING
- 金具 FITTING NAIL
ニッケル下地金メッキ
TIN OVER NICKEL PLATING

REVISED EC NO: J2015-0082 DRWN: INOUE01 2014/07/16 CHKD: H I JMA 2014/07/22 APPR: YNOGAWA 2014/07/22	GENERAL TOLERANCES (UNLESS SPECIFIED)		DIMENSION STYLE MM ONLY		51441-**-29		MODEL NO.	
	10 UNDER ±0.2		DRAWN BY DATE M. NAGATA 2004/03/23		SCALE 10:1	DESIGN UNITS METRIC	THIRD ANGLE PROJECTION	
	10 OVER 30 UNDER ±0.25		CHECKED BY DATE K. TOJO 2004/03/23		TITLE 0.5 FPC CONN. (E/O) HSG ASSY BTM CONT(H=1.1) GOLD PLATING -LEAD FREE-			
	30 OVER ±0.3		APPROVED BY DATE M. SASAO 2004/03/23		DOCUMENT NO. SD-51441-009			
ANGULAR ±3 °		MATERIAL NO. SEE SHEET 1		SHEET NO. 2 OF 2		SHEET NO. 2 OF 2		
DRAFT WHERE APPLICABLE MUST REMAIN WITHIN DIMENSIONS		THIS DRAWING CONTAINS INFORMATION THAT IS PROPRIETARY TO MOLEX INCORPORATED AND SHOULD NOT BE USED WITHOUT WRITTEN PERMISSION						

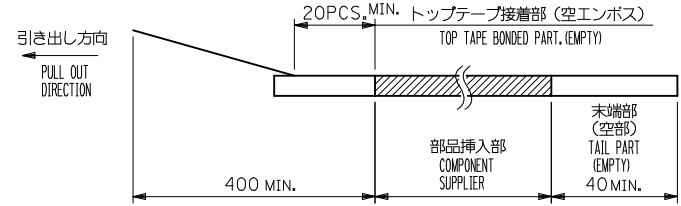
引き出し方向
PULL OUT



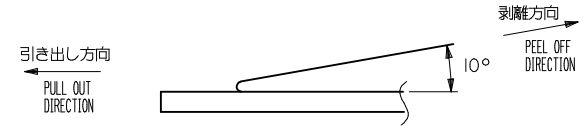
DETAIL "F"

注記 NOTES

- 製品詳細寸法については、図面SD-51441-003を参照下さい。
RE DETAILED DIMENSION, SEE SD-51441-003.
- 梱包数量：3000個/リール
NUMBER OF CONNECTORS : 3000PCS/REEL
- リードテープ長さ LEAD TAPE LENGTH

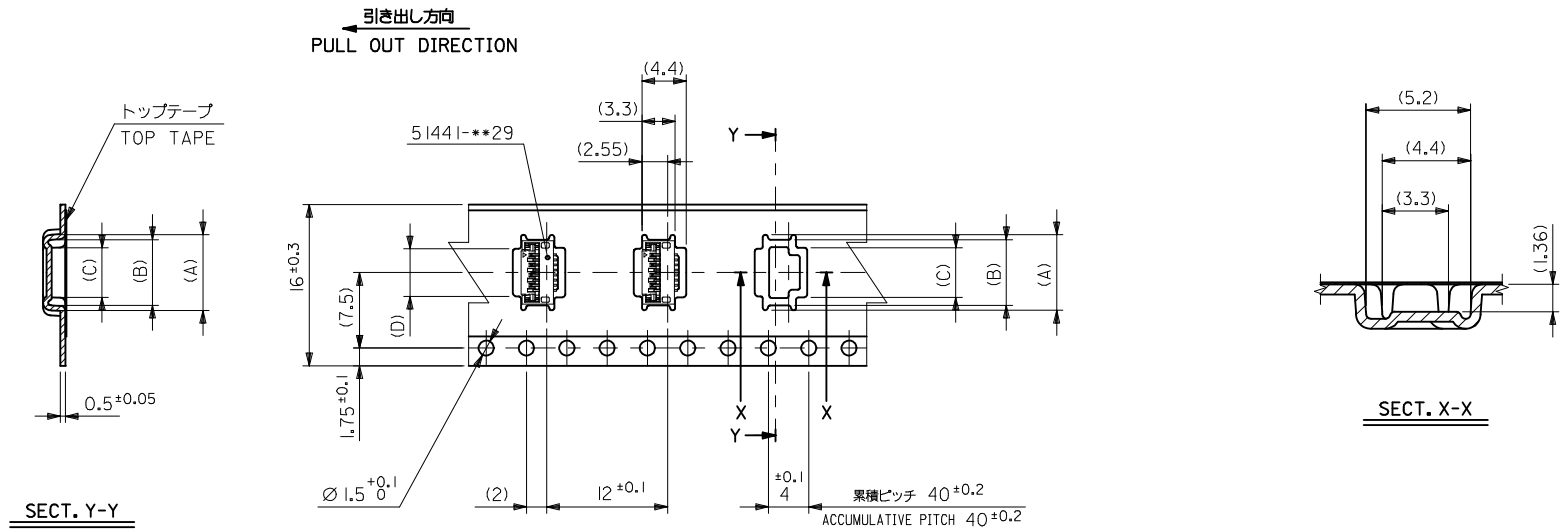


- トップテープの剥離強度：0.1~1.3N(10~130gf)
(剥離方向は下図参照)
尚、本規格値は出荷時に適用。(但し、輸送時に剥離が発生しないこと。)
PEELING OFF FORCE OF TOP TAPE : 0.1~1.3N(10~130gf)
(PEELING DIRECTION AS SHOWN IN FOLLOWING FIG.)
THIS REQUIREMENT SHOULD BE APPLIED AT SHIPMENT.
PEEL OFF SHOULD NOT BE ALLOWED, DURING TRANSPORTATION



- 材料 (MATERIAL)
キャリアテープ (CARRIER TAPE) : ポリプロピレン (POLYPROPYLENE)
トップテープ (TOP TAPE) : PET, PE, PEF
リール (REEL) : ポリスチレン (PS) <リサイクル材を含む>
POLYSTYRENE(PS) <RECYCLE MATERIAL CONTAINING>
- 本製品は51441-***91の鉛フリー品である。
THIS PRODUCT IS LEAD FREE OF 51441-***91

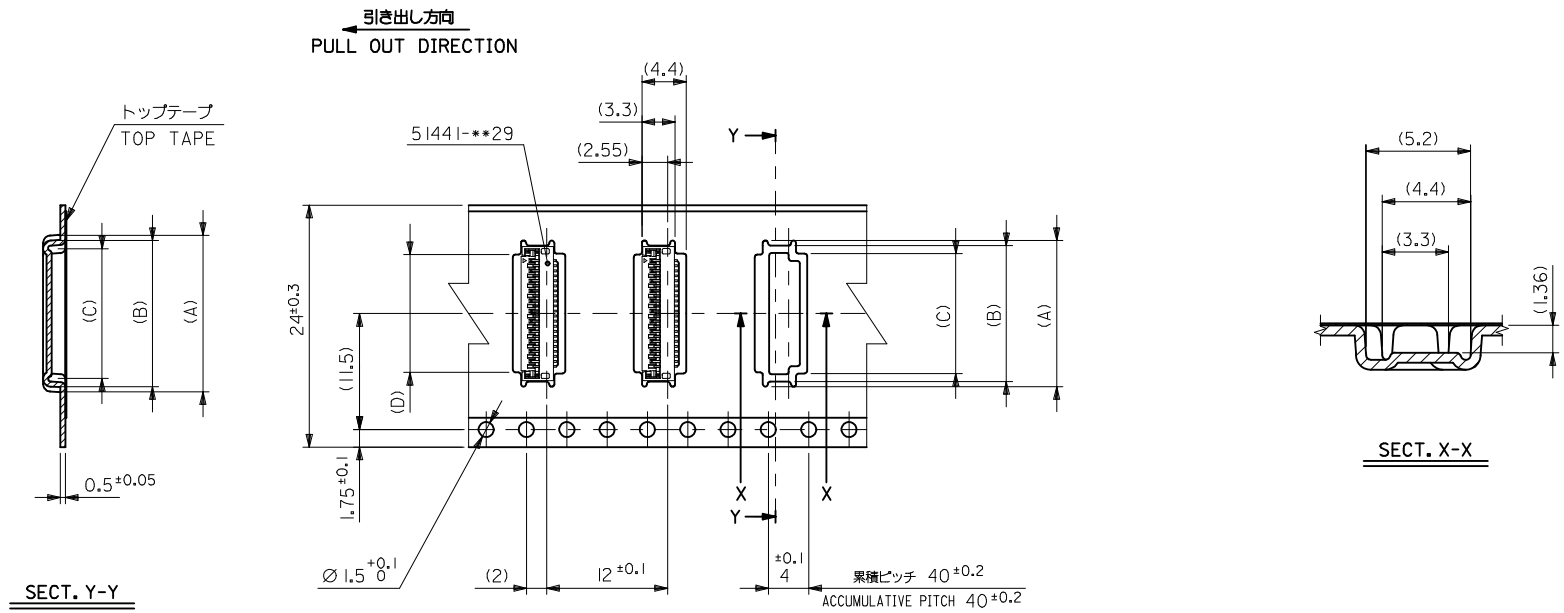
REVISED EC NO: J2015-0082 DRWN: INOUE01 2014/07/16 CHKD: HIJIMA 2014/07/22 APPR: YNOGAWA 2014/07/22	GENERAL TOLERANCES (UNLESS SPECIFIED)		DIMENSION STYLE MM ONLY		SCALE ---	DESIGN UNITS METRIC	THIRD ANGLE PROJECTION
	10 UNDER	± 0.2	DRAWN BY M.NAGATA	DATE '04/03/23	TITLE EMBSTP PKG FOR 0.5 FPC -LEAD FREE- molex		
	10 OVER 30 UNDER	± 0.25	CHECKED BY K.TOJO	DATE '04/03/23			
	30 OVER	± 0.3	APPROVED BY M.SASAO	DATE '04/03/23	MATERIAL NO. SEE CHART	DOCUMENT NO. SD-51441-010	SHEET NO. 1 OF 3
ANGULAR ± 3 °	DRAFT WHERE APPLICABLE MUST REMAIN WITHIN DIMENSIONS		THIS DRAWING CONTAINS INFORMATION THAT IS PROPRIETARY TO MOLEX INCORPORATED AND SHOULD NOT BE USED WITHOUT WRITTEN PERMISSION				



16mm幅キャリアテープ
16mm WIDTH CARRIER TAPE

16	21.4	17.4	4.7	4.89	6.5	7.5	51441-0871	8
			4.2	4.39	6.0	7.0	51441-0771	7
キャリアテープ幅 CARRIER TAPE WIDTH	G	E	(D)	(C)	(B)	(A)	MATERIAL NO.	種数 CKT.

REVISED EC NO: J2015-0082 DRWN: NINOUE01 2014/07/16 CHKD: HIJIMA 2014/07/22 APPR: YNOGAWA 2014/07/22	DESCRIPTION	GENERAL TOLERANCES (UNLESS SPECIFIED)	DIMENSION STYLE MM ONLY	SCALE ---	DESIGN UNITS METRIC	THIRD ANGLE PROJECTION
	REV	10 UNDER ±0.2	DRAWN BY M.NAGATA	DATE '04/03/23	TITLE EMBSTP PKG FOR 0.5 FPC	
	A	10 OVER 30 UNDER ±0.25	CHECKED BY K.TOJO	DATE '04/03/23	-LEAD FREE-	
		30 OVER ±0.3	APPROVED BY M.SASAO	DATE '04/03/23		
	ANGULAR ±3 °	DRAFT WHERE APPLICABLE MUST REMAIN WITHIN DIMENSIONS	MATERIAL NO. SEE CHART	DOCUMENT NO. SD-51441-010	SHEET NO. 2 OF 3	
			SIZE A3	THIS DRAWING CONTAINS INFORMATION THAT IS PROPRIETARY TO MOLEX INCORPORATED AND SHOULD NOT BE USED WITHOUT WRITTEN PERMISSION		



24mm幅キャリアテープ
24mm WIDTH CARRIER TAPE

24	29.4	25.4	9.2	9.39	11.0	12.0	51441-1771	17
			6.7	6.89	8.5	9.5	51441-1271	12
			6.2	6.39	8.0	9.0	51441-1171	11
			5.7	5.89	7.5	8.5	51441-1071	10
			5.2	5.39	7.0	8.0	51441-0971	9
キャリアテープ幅 CARRIER TAPE WIDTH	G	E	(D)	(C)	(B)	(A)	MATERIAL NO.	種数 CKT.

REVISED EC NO: J2015-0082 DRWN: INOUE01 2014/07/16 CHKD: HIJIMA 2014/07/22 APPR: YNOGAWA 2014/07/22	DESCRIPTION A	GENERAL TOLERANCES (UNLESS SPECIFIED)		DIMENSION STYLE MM ONLY		SCALE ---		DESIGN UNITS METRIC		THIRD ANGLE PROJECTION	
		10 UNDER	±0.2	DRAWN BY M.NAGATA	DATE '04/03/23	TITLE EMBSTP PKG FOR 0.5 FPC					
		10 OVER 30 UNDER	±0.25	CHECKED BY K.TOJO	DATE '04/03/23						
		30 OVER	±0.3	APPROVED BY M.SASAO	DATE '04/03/23	-LEAD FREE- molex					
		ANGULAR ±3 °		MATERIAL NO.							
DRAFT WHERE APPLICABLE MUST REMAIN WITHIN DIMENSIONS		SIZE A3		THIS DRAWING CONTAINS INFORMATION THAT IS PROPRIETARY TO MOLEX INCORPORATED AND SHOULD NOT BE USED WITHOUT WRITTEN PERMISSION							