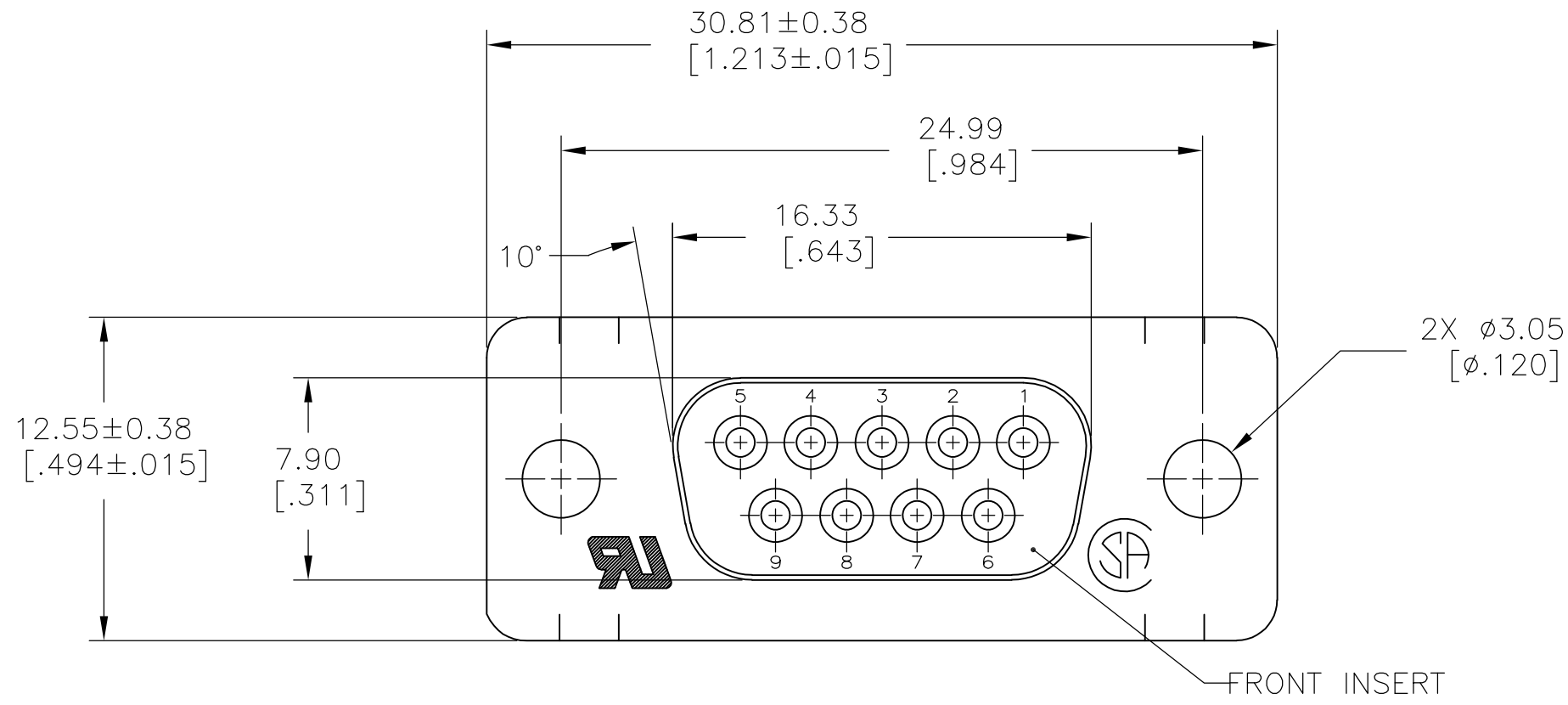
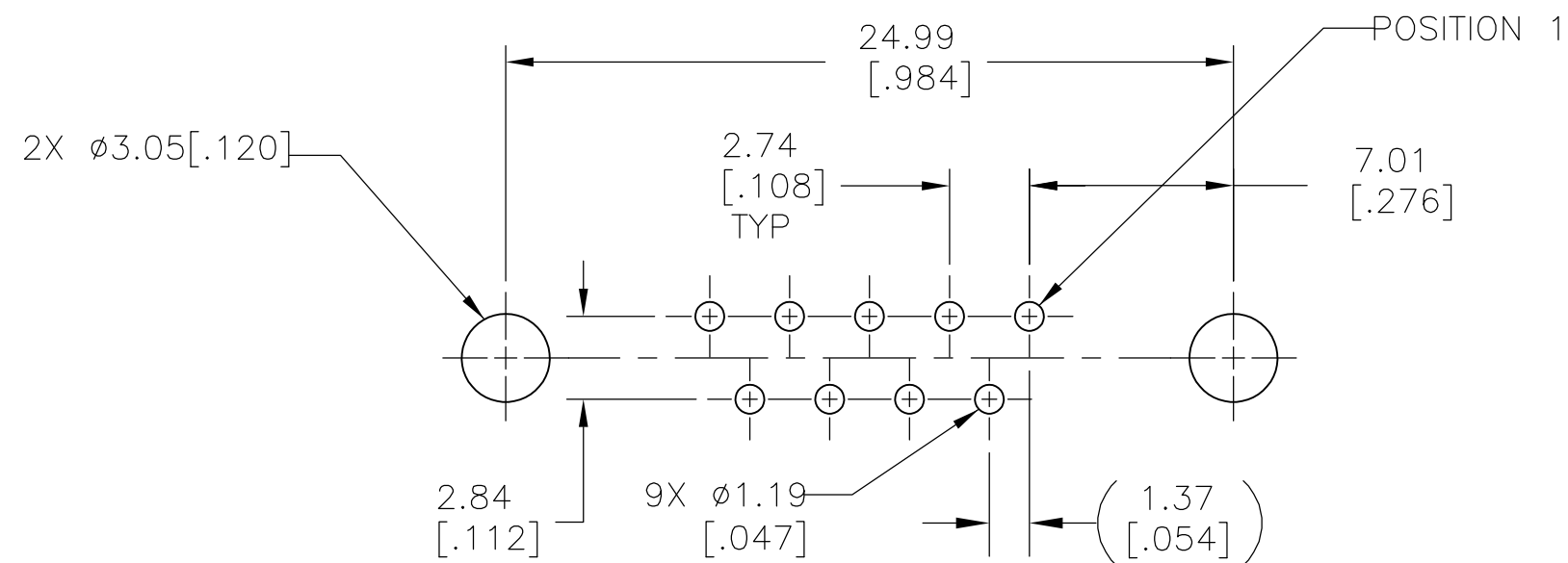
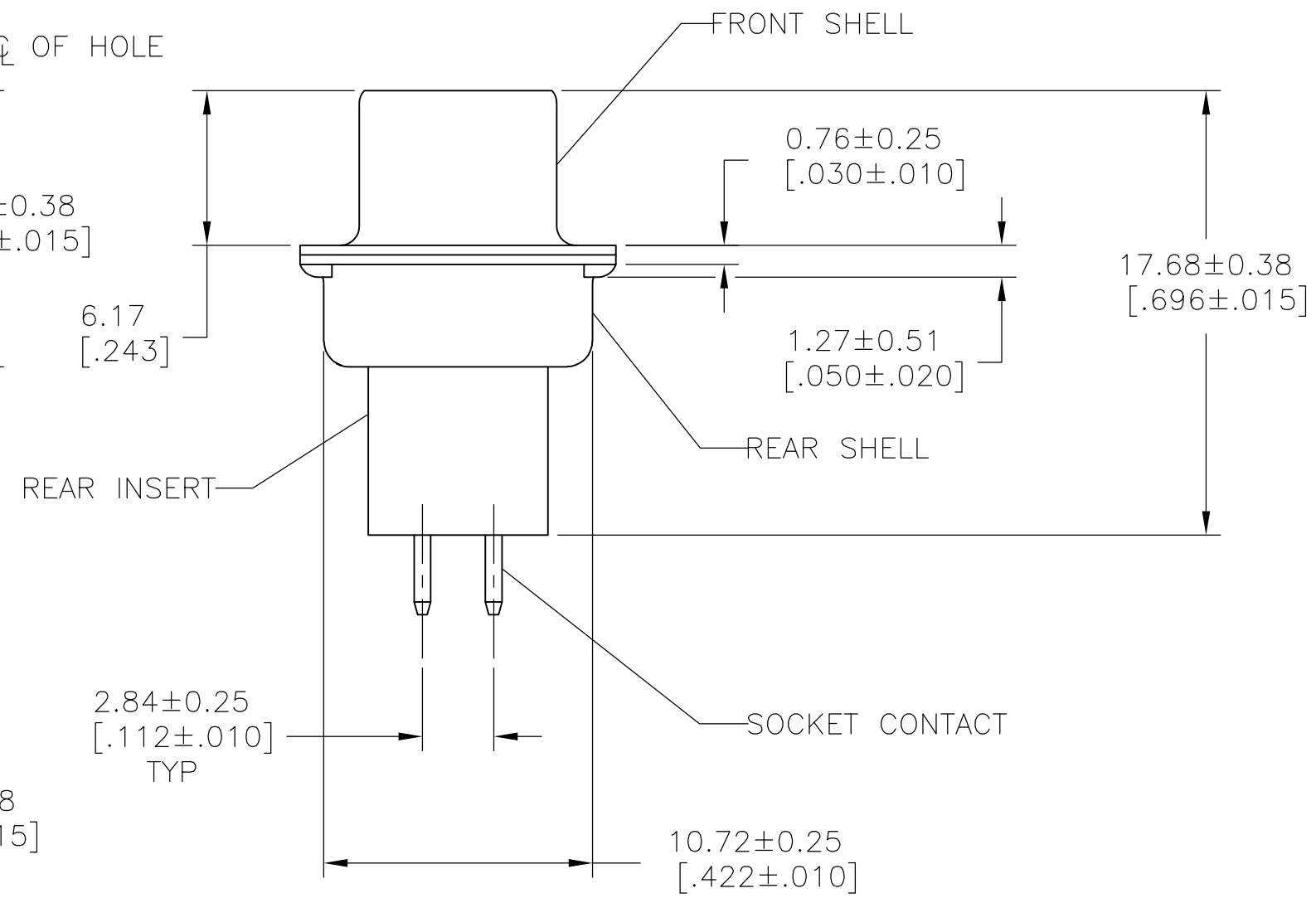
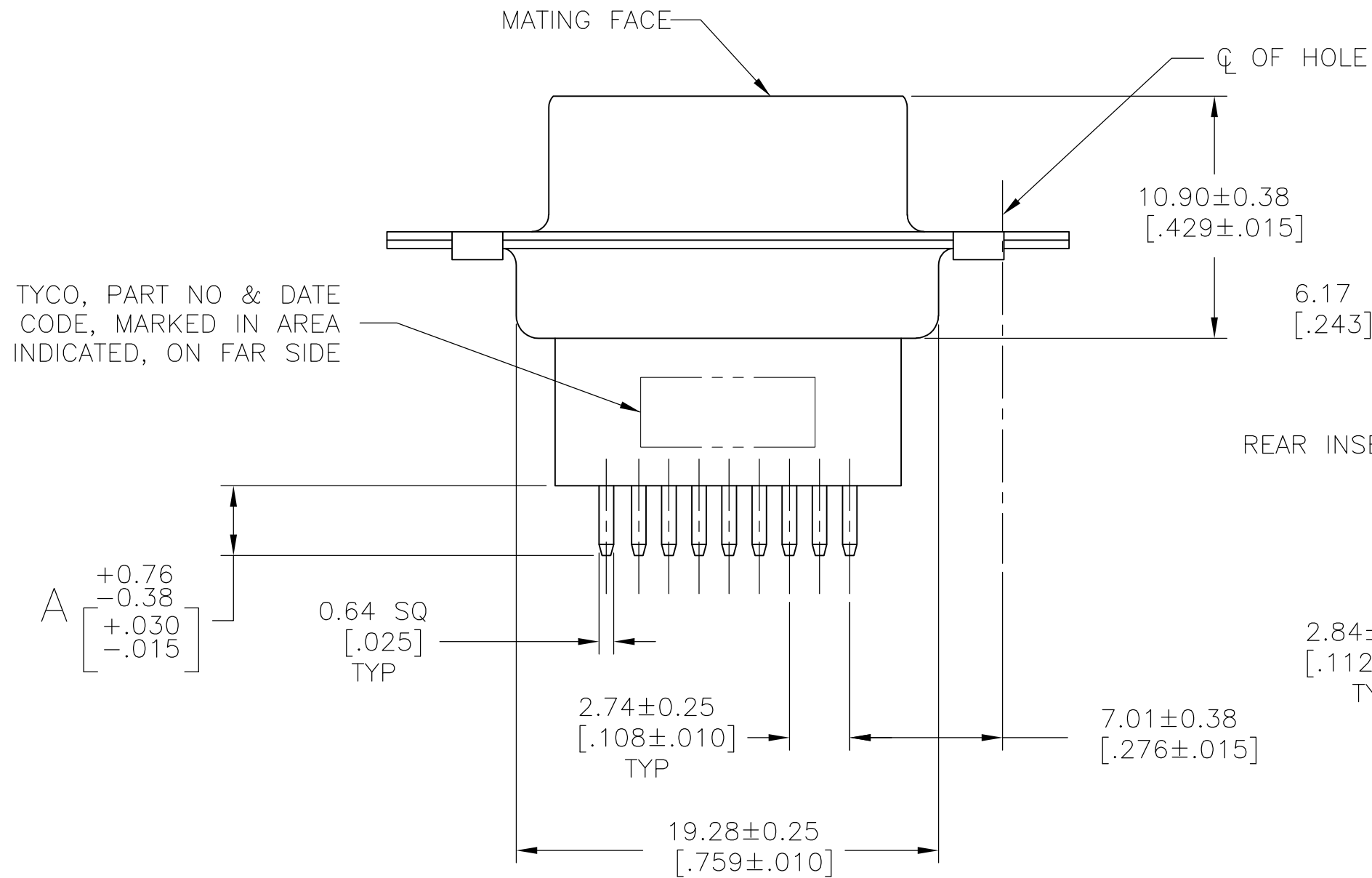


THIS DRAWING IS UNPUBLISHED. RELEASED FOR PUBLICATION
 © COPYRIGHT 2005 By - ALL RIGHTS RESERVED.

LOC		DIST		REVISIONS			
P	LTR	DESCRIPTION	DATE	DWN	APVD		
GP	00	D	REVISED PER ECO-14-011808	11AUG2014	AP	SB	



- ⚠ MOLDED PARTS: GLASS-FILLED PBT OR GLASS-FILLED NYLON, UL94V-0 RATED. COLOR: BLACK.
SHELLS: CARBON STEEL
CONTACTS: PHOS BRONZE
- ⚠ SHELLS: $5.08 \mu\text{m}$ [.000200] MIN TIN OVER $2.54 \mu\text{m}$ [.000100] MIN COPPER.
CONTACTS: SEE TABLE
- ⚠ $0.76 \mu\text{m}$ [.000030] MIN GOLD ON MATING END, $2.54 \mu\text{m}$ [.000100] MIN TIN ON SOLDER END, BOTH OVER $1.27 \mu\text{m}$ [.000050] MIN NICKEL
-OR-
GOLD FLASH OVER PALLADIUM-NICKEL, $0.76 \mu\text{m}$ [.000030] MIN TOTAL ON MATING END, $2.54 \mu\text{m}$ [.000100] MIN TIN ON SOLDER END, BOTH OVER $1.27 \mu\text{m}$ [.000050] MIN NICKEL.
- ⚠ GOLD FLASH ON SOLDER END, $2.54 \mu\text{m}$ [.000100] MIN TIN ON SOLDER END, BOTH OVER $1.27 \mu\text{m}$ [.000050] MIN NICKEL.



P.C. BOARD MOUNTING DIMENSIONS

⚠	4.78 [.188]	5745183-7
⚠	10.85 [.427]	5745183-3
⚠	3.18 [.125]	5745183-2
⚠	3.18 [.125]	5745183-1
GOLD FINISH	A	PART NUMBER

THIS DRAWING IS A CONTROLLED DOCUMENT.		DWN	07SEPT05	TE Connectivity	
DIMENSIONS: mm [INCHES]		CHK	S. BOLASH	RECEPTACLE ASSY, SIZE 1, 9 POS, VERTICAL, AMPLIMITE HDP	
TOLERANCES UNLESS OTHERWISE SPECIFIED:		APVD	M. WALMSLEY	SIZE CAGE CODE DRAWING NO RESTRICTED TO	
0 PLC ± -		PRODUCT SPEC		A2 00779 C=5745183	
1 PLC ± -		APPLICATION SPEC		SCALE SHEET 1 OF 1 REV D	
2 PLC ± 0.13 [.005]		WEIGHT			
3 PLC ± -		CUSTOMER DRAWING			
4 PLC ± -					
ANGLES ± 2°					
FINISH					
1					
2					