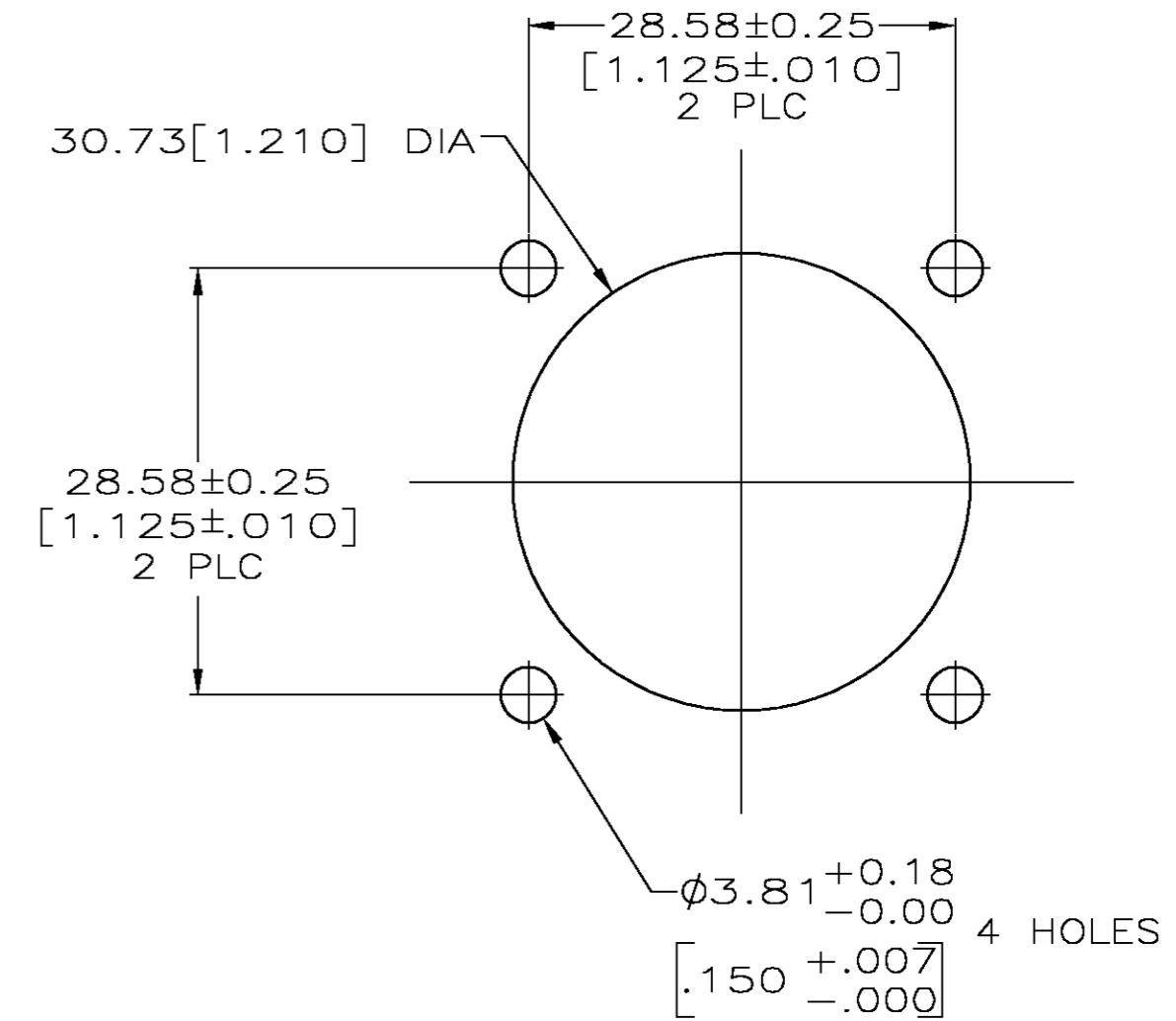
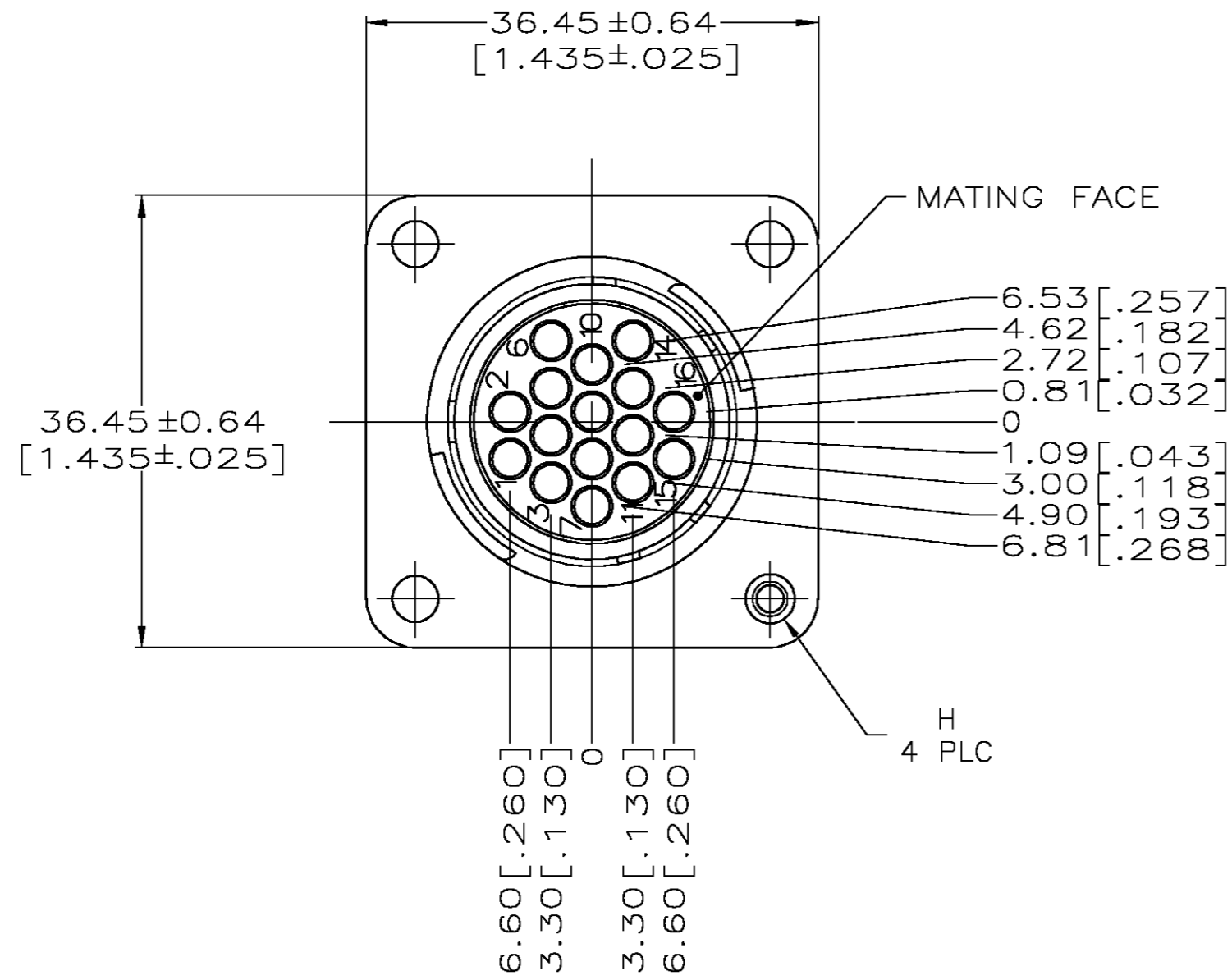
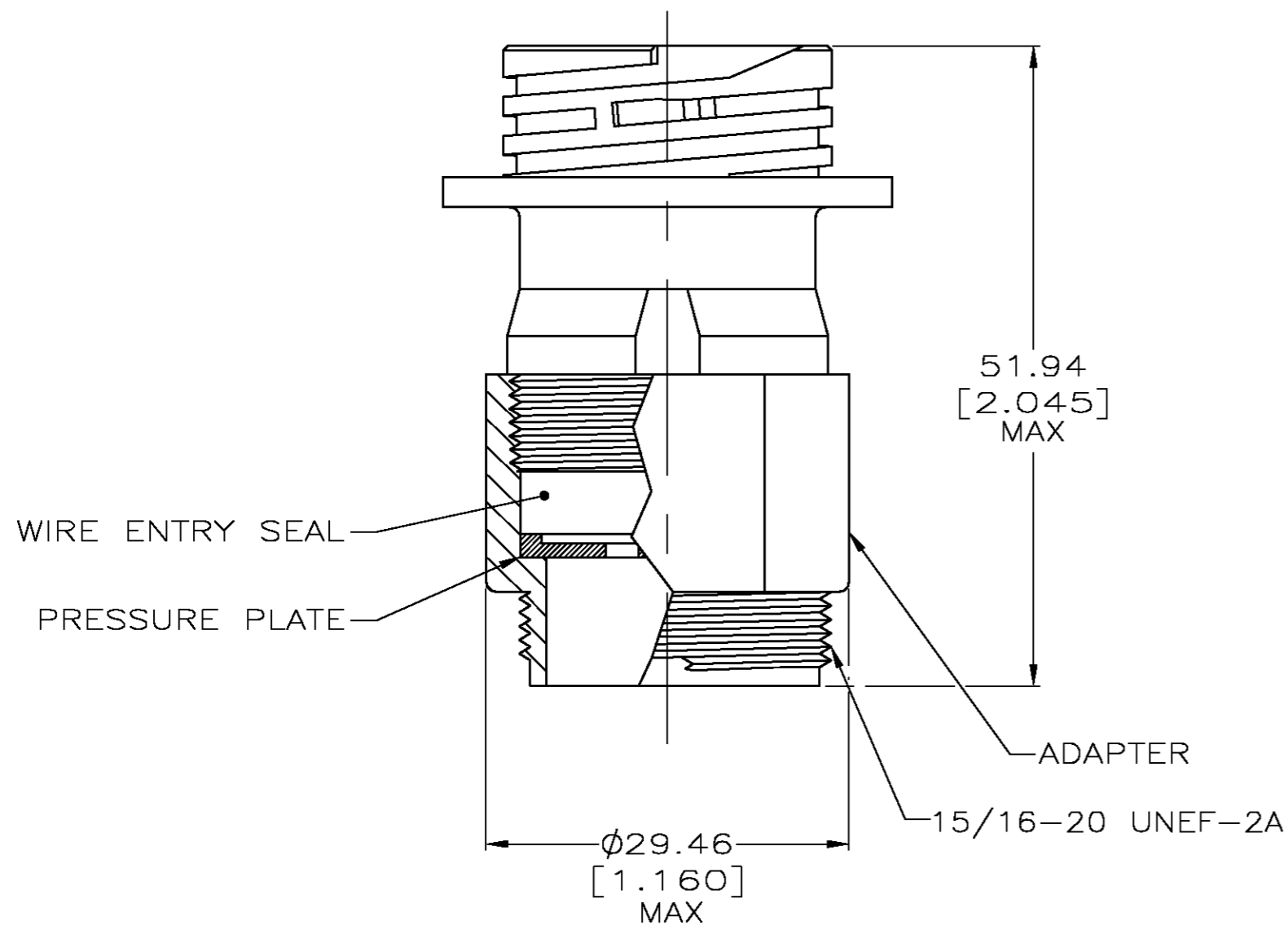


THIS DRAWING IS UNPUBLISHED. RELEASED FOR PUBLICATION
 © COPYRIGHT BY TYCO ELECTRONICS CORPORATION. ALL RIGHTS RESERVED.

LOC		DIST		REVISIONS			
P	LTR	DESCRIPTION	DATE	DWN	APVD		
FT	0	C	REVISED PER 0G3B-0092-05	1/27/05	SS	HW	



RECOMMENDED PANEL CUTOUT



- 1. HOUSING, ADAPTER AND PRESSURE PLATE: NYLON, BLACK.
WIRE ENTRY SEAL: ELASTOMER, SEE TABLE.
PERIPHERAL SEAL: ELASTOMER, GREY.
- 2. CONNECTOR WILL ACCEPT (16) MULTIMATE PIN CONTACTS.

W/ 4-40 THREADED INSERT	RED-IRON OXIDE	.065 - .120	STANDARD	796275-3
3.18 ± 0.07 [.150 ± .003]	YELLOW	.040 - .080	SMALL	796275-2
3.18 ± 0.07 [.150 ± .003]	RED-IRON OXIDE	.065 - .120	STANDARD	796275-1
H	SEAL COLOR	DIA. RANGE	INSULATION	PART NUMBER

THIS DRAWING IS A CONTROLLED DOCUMENT.

DWN L. McEACHIN 27-JAN-2000	Tyco Electronics Corporation Harrisburg, Pa 17105-3608
CHK K. DOWHOWER 27-JAN-2000	
APVD K. DOWHOWER 27-JAN-2000	
PRODUCT SPEC	
APPLICATION SPEC	NAME ASSEMBLY, RECEPTACLE, STANDARD SEX, 17-16, STANDARD OR SMALL INSULATION DIA., SEALED
WEIGHT	SIZE A2 CAGE CODE 00779 C=796275 DRAWING NO. RESTRICTED TO
CUSTOMER DRAWING	SCALE 2:1 SHEET 1 OF 1 REV C