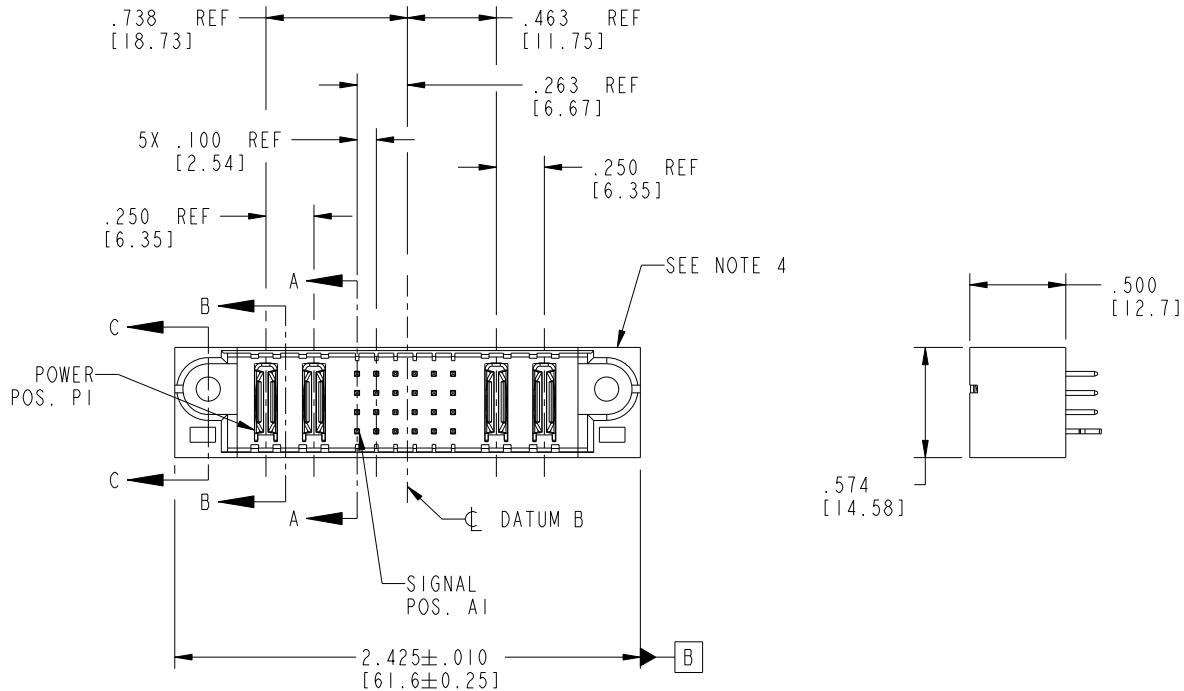
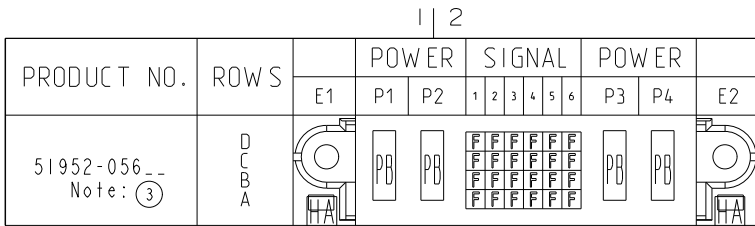


Tous droits strictement réservés. Reproduction ou communication a des tiers interdite sous quelque forme que ce soit sans autorisation écrite du propriétaire. Propriété de c FCI. Droits de reproduction FCI.

All rights strictly reserved. Reproduction or issue to third parties in any form whatever is not permitted without written authority from the proprietor. Property of FCI. Copyright FCI.



CODE	DIM "M"	MATING LENGTH	CONTACT TYPE
HA	N/A	[N/A]	HOLD-DOWN
PB	[N/A]	[N/A]	POWER
F	.270	[6.86]	SIGNAL

mat'l code				SEE NOTE 2		tolerances unless otherwise specified		CUSTOMER		FCI www.fciconnect.com	
ltr	ecn no.	dr	date	linear	.XX ± .01/0.X ± 0.3	projection		title 2P + 24S + 2P VERTICAL SOLDER HEADER			
A	DG05-0031	LH	02/03/05		.XXX ± .005/0.XX ± 0.13	INCH/MM		product family PwrBlade		code 213	
B	DG05-0123	SJ	05/23/05	angles	.XXX ± .0020/0.XXX ± 0.051	scale 1:1		size		sheet 1 of 4	
C	DG05-0515	RYAN	12/16/05	dr	LH 02/03/05	A		51952-056			
D	DG07-0121	RYAN	04/02/07	engr	LH 02/03/05						
E	DG08-0266	W D	09/22/08	chr	VICTOR LIN 02/03/05						
				appd	JOSEPH HSIA 02/03/05						
sheet index		revision sheet		E	E	E	E				
		1 2		3	4						

Pro/E

PDM: Rev: E

STAT: Released

Printed: Dec 20, 2010

cage code 22526

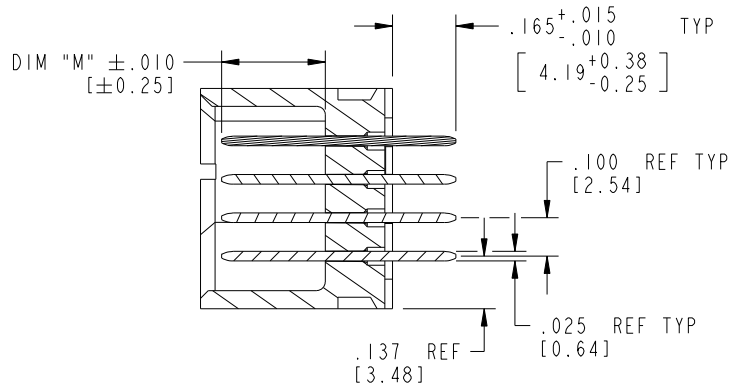
Tous droits strictement réservés. Reproduction ou communication a des tiers interdite sous quelque forme que ce soit sans autorisation écrite du propriétaire. Propriété de c FCI. Droits de reproduction FCI.

All rights strictly reserved. Reproduction or issue to third parties in any form whatever is not permitted without written authority from the proprietor. Property of FCI. Copyright FCI.

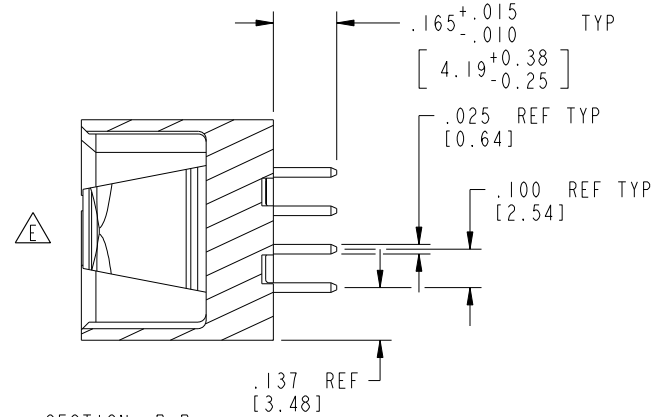


PRODUCT NUMBER

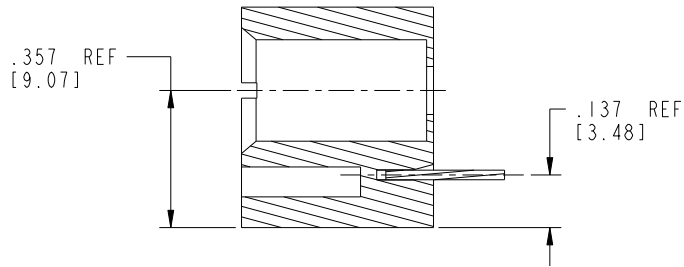
51952-056--
Note: (3)



SECTION A-A
SCALE 2:1



SECTION B-B
SCALE 2:1



SECTION C-C
SCALE 2:1

mat'l code		SEE NOTE 2		tolerances unless otherwise specified		CUSTOMER		 www.fciconnect.com	
ltr	ecn no.	dr	date	linear	.XX±.01/0.X±0.3	projection	title		
E					.XXY±.005/0.XX±0.13		2P + 24S + 2P		
				angles	.XXX±.0020/0.XXX±0.051		VERTICAL SOLDER HEADER		
				dr	LH 02/03/05	INCH/MM	product family		code
				enrg	LH 02/03/05	1:1	PwrBlade		213
				chr	VICTOR LIN 02/03/05		size	dwg no	sheet
				appd	JOSEPH HSIA 02/03/05		A	51952-056	2 of 4
sheet index	revision sheet								

Pro/E

PDM: Rev: E

STATUS: Released

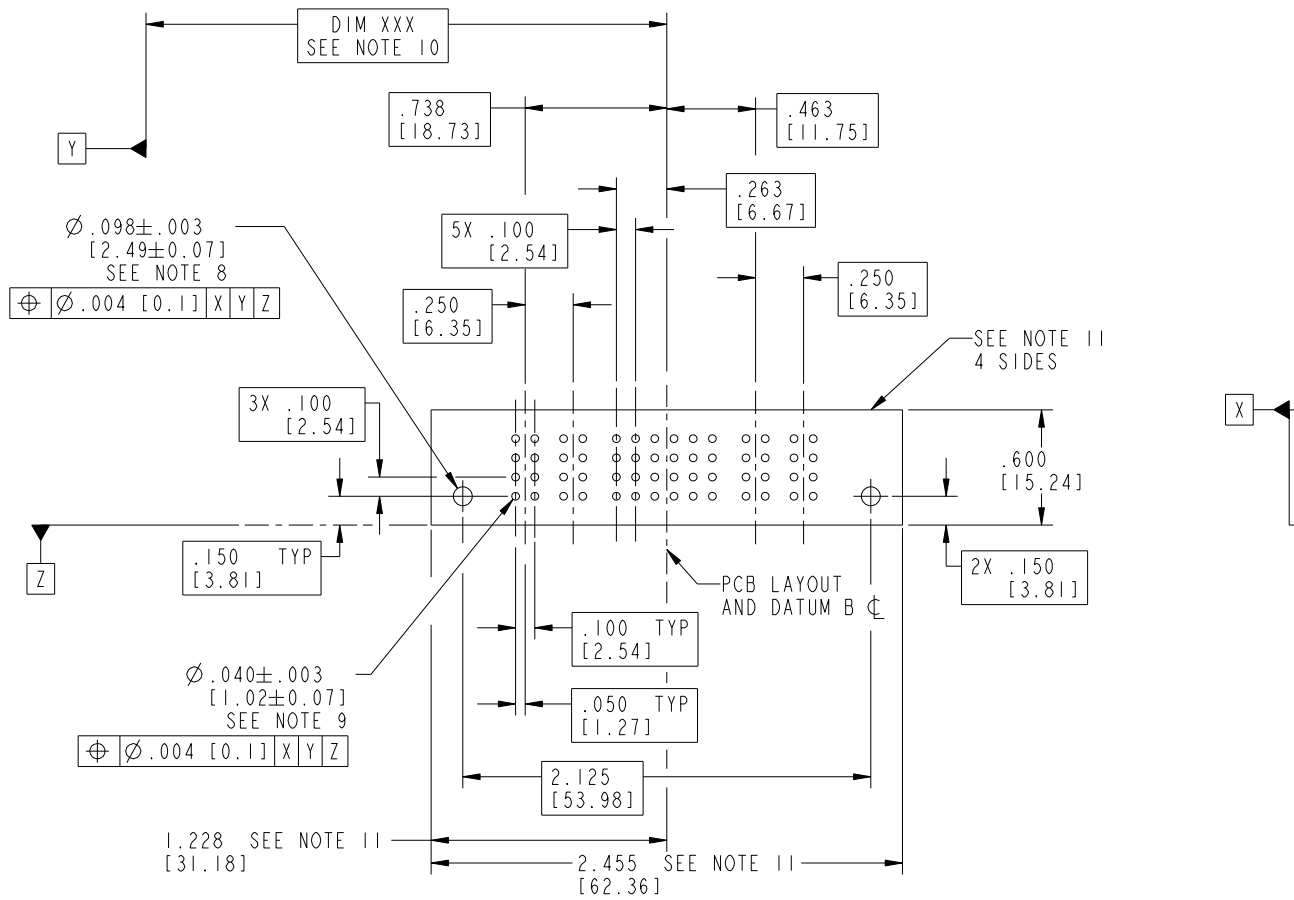
Printed: Dec 20, 2010

Tous droits strictement réservés. Reproduction ou communication a des tiers interdite sous quelque forme que ce soit sans autorisation écrite du propriétaire. Propriété de c FCI. Droits de reproduction FCI.



All rights strictly reserved. Reproduction or issue to third parties in any form whatever is not permitted without written authority from the proprietor. Property of FCI. Copyright FCI.

PRODUCT NUMBER
51952-056--
Note: ③



RECOMMENDED PCB LAYOUT

mat'l code		SEE NOTE 2		tolerances unless otherwise specified		CUSTOMER		FCI	
ltr	ecn no.	dr	date	linear	.XX±.01/0.X±0.3	COPY		www.fciconnect.com	
E				angles	.XX±.005/0.XX±0.13 .XXX±.0020/0.XXX±0.051	projection		title 2P + 24S + 2P VERTICAL SOLDER HEADER	
				dr	LH 02/03/05	INCH/MM		product family PwrBlade code 213	
				enrg	LH 02/03/05	scale 1:1		size dwg no A 51952-056 sheet 3 of 4	
				chr	VICTOR LIN 02/03/05				
				appd	JOSEPH HSIA 02/03/05				
sheet index	revision sheet								

Pro/E

PDM: Rev: E

STATUS: Released

Printed: Dec 20, 2010

1 | 2

3 |

4

A

A

B

B

1 | 2

4

Tous droits strictement réservés. Reproduction ou communication a des tiers interdite sous quelque forme que ce soit sans autorisation écrite du propriétaire. Propriété de c FCI. Droits de reproduction FCI.



All rights strictly reserved. Reproduction or issue to third parties in any form whatever is not permitted without written authority from the proprietor. Property of FCI. Copyright FCI.

1 | 2

3

4

PRODUCT NUMBER
51952-056--
Note: ③

NOTES:

1. DIMENSIONS AND TOLERANCES ARE IN ACCORDANCE WITH ASME Y14.5M, 1994 UNLESS OTHERWISE SPECIFIED.

CONNECTOR NOTES:

2. HOUSING MATERIAL: UL 94 V-0 GLASS FILLED HIGH-TEMP THERMOPLASTIC
POWER CONTACT MATERIAL: COPPER ALLOY
SIGNAL PIN MATERIAL: COPPER ALLOY

⚠ 3. SEE ITEM 1 & 2 IN PRINT 10064183 FOR PLATING SPEC OF 51952-056 AND 51952-056LF RESPECTIVELY.

④ MANUFACTURER'S NAME, P/N, AND DATE CODE TO APPEAR ON THIS SURFACE.

5. PRODUCT SPECIFICATION GS-12-149.
APPLICATION SPECIFICATION BUS-20-067.

6. PACKAGED IN TRAYS.

PCB NOTES:

7. ALL HOLE DIAMETERS ARE FINISHED HOLE SIZE.
8. MOUNTING HOLES, WHERE APPLICABLE, ARE UNPLATED.

⑨ $\varnothing .0453 \pm .0010$ [1.151 ± 0.025] DRILLED HOLES PLATED WITH
.0003 [0.008] MIN SnPb OR Sn OVER .001 [0.03]
TO .003 [0.08] Cu PLATING TO ACHIEVE
 $\varnothing .040 \pm .003$ [1.02 ± .07] HOLE.

⑩ "DIM XXX" TO BE DETERMINED BY THE CUSTOMER.

⑪ CONNECTOR KEEP-OUT ZONE.

12. ⚠ SYMBOL WILL BE NEXT TO ANY DIMENSION, VIEW, OR NOTE WHICH HAS BEEN MODIFIED WITH THE CURRENT DRAWING REVISION.

mat'l code		SEE NOTE 2		tolerances unless otherwise specified		CUSTOMER		FCI		www.fciconnect.com	
ltr	ecn no.	dr	date	linear	.XX±.01/0.X±0.3	COPY		projection		title	
E					.XXY±.005/0.XX±0.13	⊕		↔		2P + 24S + 2P	
				angles	.XXX±.002/0.XXX±0.051	INCH/MM		product family		code	
				dr	LH 02/03/05	← →		PwrBlade		213	
				enrg	LH 02/03/05	scale		size		sheet	
				chr	VICTOR LIN 02/03/05	1:1		A 51952-056		4 of 4	
				appd	JOSEPH HSIA 02/03/05						
sheet index		revision sheet									

1 | 2

Pro/E

PDM: Rev: E

STAT: Released

Printed: Dec 20, 2010