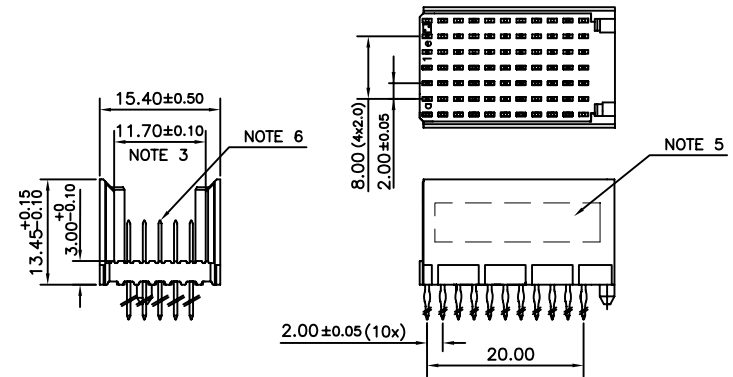


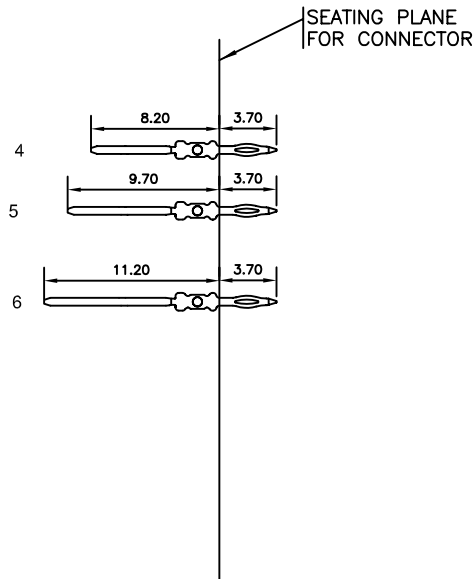
LOADING PATTERN MATING SIDE

f	0	0	0	0	0	0	0	0	0	0
e	5	5	5	5	5	5	5	5	5	5
d	5	5	5	5	5	5	5	5	5	5
c	5	5	5	5	5	5	5	6	5	5
b	5	5	5	5	5	5	5	5	5	5
a	4	5	5	5	5	5	5	5	5	4
z	0	0	0	0	0	0	0	0	0	0
P	0									
S	1									

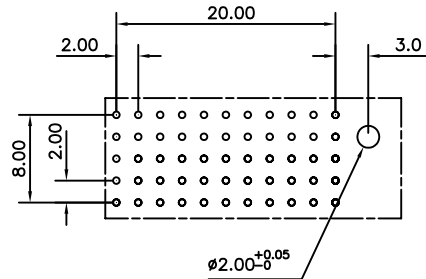
LOADED CONNECTOR ASSEMBLY
(FOR EXAMPLE)



CONTACT OVERVIEW



LAY-OUT P.C.B.-HOLE



HM2P09PDM3U0-
LEAD FREE INDICATOR : LF = LEAD FREE (DIGIT 15 & 16)

PLATING CODE (DIGIT 13 AND 14)
(REF DRW NO. BS,C , 201844 , 003)

NOTES

- THIS PRODUCT IS CSA APPROVED.
- THIS PRODUCT IS UL RECOGNIZED.
- MEASURED AT THE BOTTOM.
- MATERIAL CONTACT: PHOSPHORBRONZE
HOUSING: CREAM WHITE GLASS FILLED POLYESTER UL-94V0
- CONNECTOR PRINTED WITH P/N AND DATE CODE.
- FOR ACTUAL CONTACT LOADINGS, SEE LOADING PATTERN MATING SIDE.
- SHAPE OF CONNECTOR HOUSING CAN ALTER DEPENDING ON PRODUCTION LOCATION
- THIS PRODUCT (LF) MEETS EUROPEAN UNION DIRECTIVES AND OTHER COUNTRY REGULATIONS AS DESCRIBED IN GS-22-008
- FOR RECOMMENDED PTH DIMENSIONS REFER DRAWING : BS, A , 201572 , 001

CATALOG NO: HM2P09PDM3U0----

mat'l. code SEE NOTE 4		surface ISO 1302	tolerance ISO 406 ISO 1101	projection	product family MILLIPACS
ltr	ecn no	dr	date	tolerances unless otherwise specified	title
A	109-0201	GT	2009-09-23	angles linear 0°±1° 0.0±0.2 0.00±0.1	MPACS 5+2R STR HDR PF CONN TYPE C
				scale	MM
				dr	GEORGE THOMAS 2009-09-23
				enr	ALEX BABU 2009-09-23
				chr	ALEX BABU 2009-09-23
				appd	ALEX BABU 2009-09-23
sheet index	revision sheet	A	1	FCI dwg no sheet 1 of 1 size BS, C , 203028, 896 A3	
				type Product Customer Drawing	