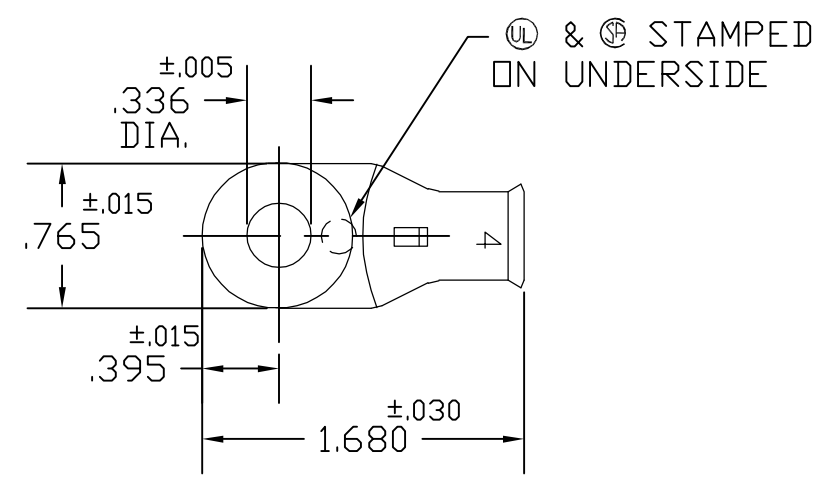
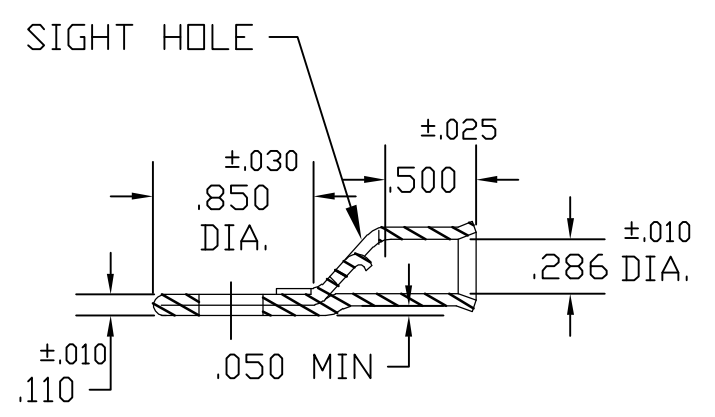


THIS DRAWING IS UNPUBLISHED. RELEASED FOR PUBLICATION
 © COPYRIGHT BY TYCO ELECTRONICS CORPORATION. ALL RIGHTS RESERVED.

LOC	DIST	REVISIONS					
		P	LTR	DESCRIPTION	DATE	DWN	APVD
G	50		A2	REV PER ECR 06-008456	19APR06	JR	DD



1 PRELIMINARY - NOT FOR PRODUCTION



1	PRELIMINARY	---	STANDARD	TIN PLATE	1526278-2
	ACTIVE	4563-06	STANDARD	PLAIN	1526278-1
	STATUS	AET P/N	PACKAGING	FINISH	PART NUMBER

THIS DRAWING IS A CONTROLLED DOCUMENT.		DWN D.A.A. 10/25/00	Tyco Electronics Corporation Harrisburg, PA 17105-3608				
DIMENSIONS: INCHES		CHK H.D.F. 10/25/00					
TOLERANCES UNLESS OTHERWISE SPECIFIED:		APVD H.D.F. 10/25/00	NAME				
0 PLC ± - 1 PLC ± - 2 PLC ± - 3 PLC ± - 4 PLC ± - ANGLES ± -		PRODUCT SPEC	4 STANDARD TERMINAL W/RECESSED PAD				
MATERIAL: COPPER ASTM B-152		FINISH: -	APPLICATION SPEC	SIZE: A3	CAGE CODE: 00779	DRAWING NO: C-1526278	RESTRICTED TO: -
CUSTOMER DRAWING			WEIGHT: -	SCALE: 1:1	SHEET: 1 OF 1	REV: A2	