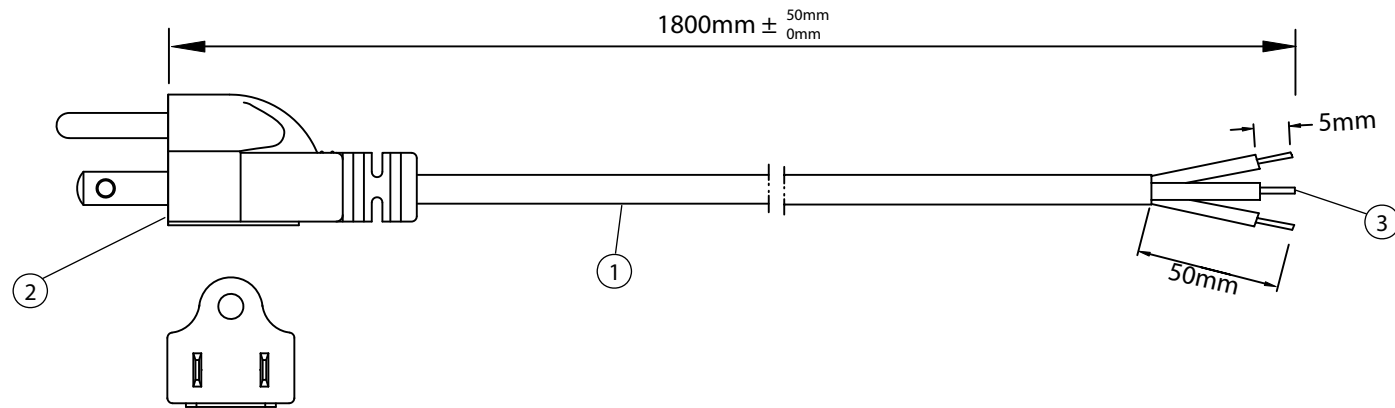


THESE DRAWINGS ARE THE PROPERTY OF QUALTEK ELECTRONICS AND NOT TO BE REPRODUCED FOR OR COMMUNICATED TO A THIRD PARTY WITHOUT THE EXPRESS WRITTEN PERMISSION OF AN OFFICER OF QUALTEK ELECTRONICS.

REVISION			
REV.	DESCRIPTION	DATE	APPROVED



NOTES:

1. CORDAGE: VCTF, 3 x 1.25mm², UNSHIELDED, NA COLOR CODE, TEMP. RATING: 60°C, RATING 125V 12A, JACKET COLOR: BLACK
2. PLUG: JIS 8303
3. OTHER END: ROJ 50mm, STRIP 5mm
4. APPROVALS: PSE
5. ROHS COMPLIANT

CONTROLLED

Dim range (mm)		Tolerance +/- (mm)		Qualtek Electronics Corp. PPC DIVISION		
0-1		0.15		Part Number: 397004-01 RoHS Compliant		
1-6		0.20		Description: POWER CORD		
6-18		0.30		UNIT: mm		
18-50		0.50				
50-120		0.70		Drawn / Date	Checked / Date	Approved / Date
120-250		0.90		R.Nuti 10-17-11	10-17-11	LY / 10-17-11
250-500		1.20				