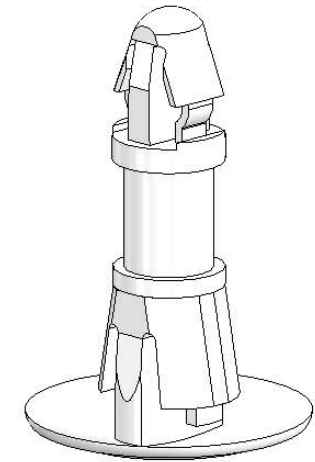
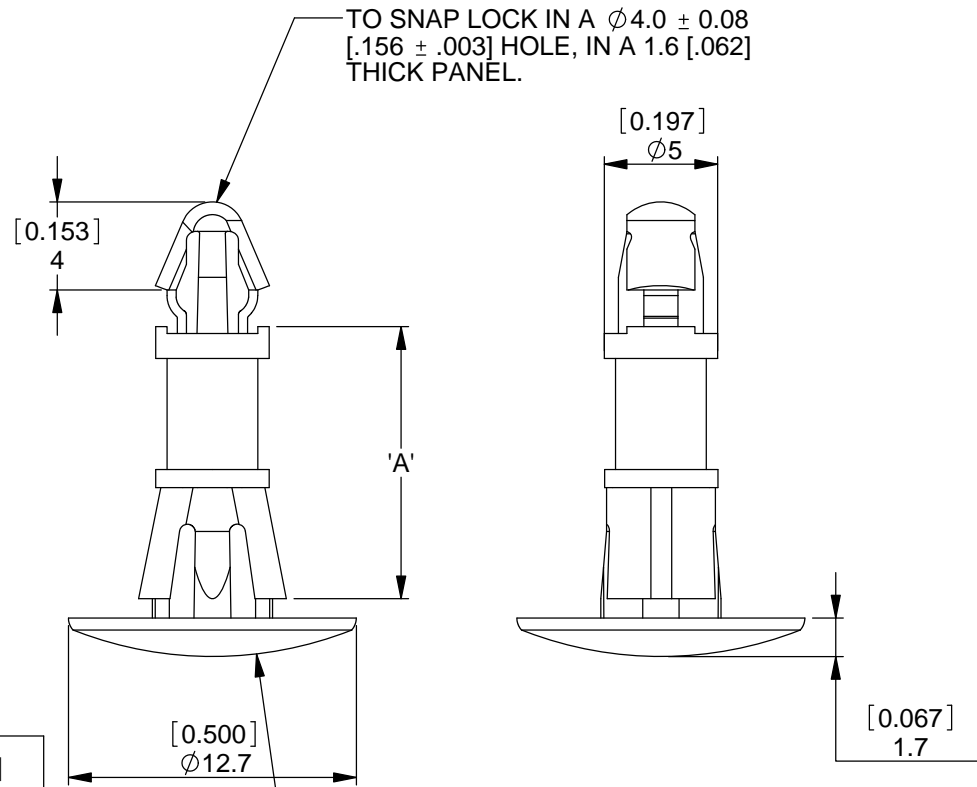


REV.	MODIFICATION.	DATE	DRN
01	NEW DWG, ECN07-183	10/10/07	NJB
02	CO2011307	25/02/13	SF



NOTES
 1a) METRIC PRIMARY UNITS:mm
 1b) IMPERIAL SECONDARY UNITS: [inches]
 2) PARTS AVAILABLE IN BLACK BY SPECIAL ORDER. ADD "BK" TO END OF PART NUMBER

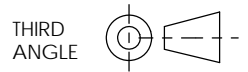
CRLCBSK-2-6M-YY	6.0 [.236]
CRLCBSK-2-8M-YY	8.0 [.314]
CRLCBSK-2-10M-YY	10.0 [.393]
CRLCBSK-2-12M-YY	12.0 [.472]
CRLCBSK-2-14M-YY	14.0 [.551]
CRLCBSK-2-14M-YY	16.0[0.630]
PART No.	'A' DIM

CRLCBSK-2-XM-19	NYLON 6/6 FR UL94 V0 (RMS-19)
CRLCBSK-2-XM-01	NYLON 6/6 UL94 V2 (RMS-01)
PART No.	MATERIAL

INFORMATION CONTAINED IN THIS DOCUMENT IS CONFIDENTIAL TO RICHCO INTERNATIONAL Co. Ltd. AND MAY NOT BE DISCLOSED OR REPRODUCED IN WHOLE OR PART WITHOUT THEIR WRITTEN CONSENT.



GENERAL TOLERANCES ± 0.25 [0.010]
 UNLESS OTHERWISE STATED
 1 DECIMAL PLACE \pm
 2 DECIMAL PLACES \pm
 ANGULAR $\pm 1^\circ$



MATERIAL: SEE TABLE		COLOUR: NATURAL	
DESCRIPTION: CUPPED REVERSE LOCKING CIRCUIT BOARD SUPPORT		PART No: SEE TABLE	
DRG No: 07-106	NPR No: N/A	SHEET SIZE A4	
DRN NJB	DATE 10/10/07	CHKD SF	DATE 10/10/07
SCALE NTS		SHEET No. 1 OF 1	