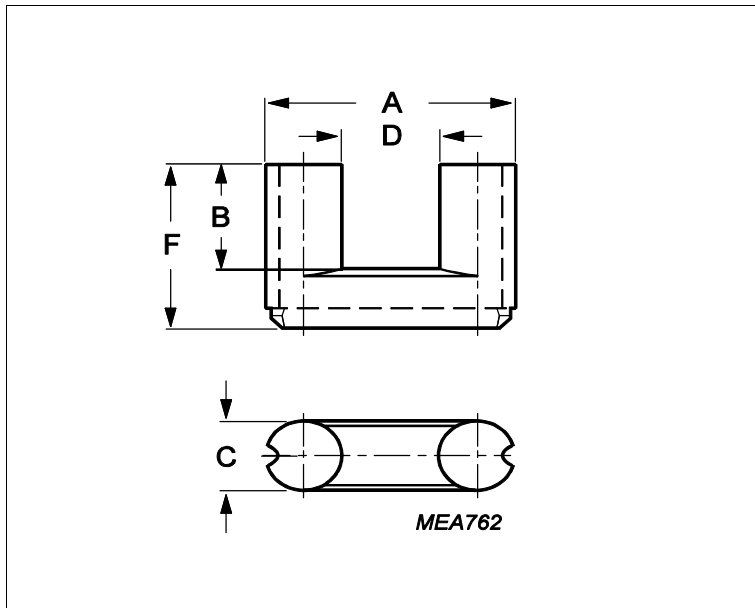


## Core **UR64/29/14**



Effective parameters			
	Parameter	Value	Unit
$\Sigma(I/A)$	core factor (C1)	1.26	mm <sup>-1</sup>
<b>Ve</b>	effective volume	27040	mm <sup>3</sup>
<b>Le</b>	effective length	185	mm
<b>Ae</b>	effective area	147	mm <sup>2</sup>
<b>Amin</b>	minimum area		mm <sup>2</sup>
<b>m</b>	UR64/29/14	≈ 64	g/pcs

Dimensions for product: UR64/29/14						
	Nom	Tol +	Tol -	Max	Min	Unit
<b>A</b>	64.00	1.90	1.90	65.90	62.10	mm
<b>B</b>	18.10	0.50	0.50	18.60	17.60	mm
<b>C</b>	13.80	0.20	0.20	14.00	13.60	mm
<b>D</b>	37.00	0.90	0.90	37.90	36.10	mm
<b>F</b>	29.50	0.20	0.20	29.70	29.30	mm

Inductance factor				
Material	Value	Tol +	Tol -	Unit
3C90	2000	25%	25%	nH/turns <sup>2</sup>

Power loss: 3C90				
Measuring conditions			Max	Unit
25 kHz	200 mT	100 °C	3.200	W/set

Bsat					
Measuring conditions			Material	Min	Unit
10 kHz	250 A/m	100 °C	3C90	320	mT

Accessories		
Ordering name	Description	Ordering code
CLM/U-U64/29/14	Clump, U shape with thread	F0MUU06429CLMU000P