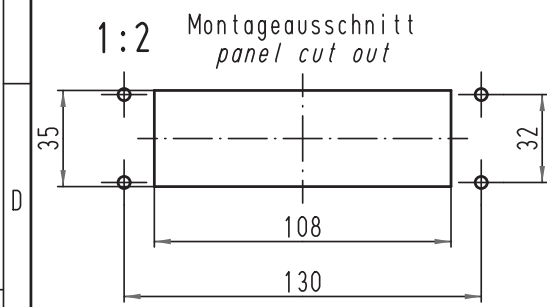
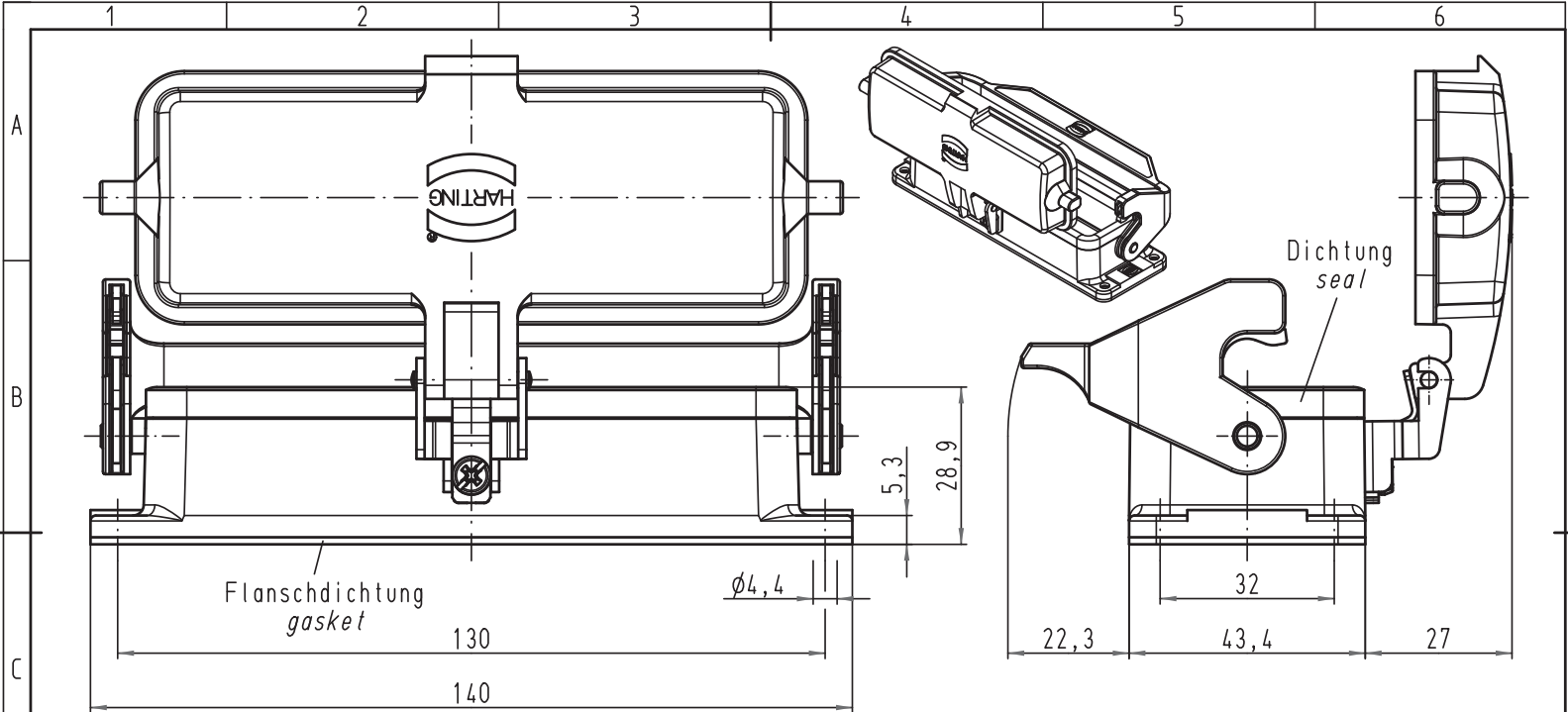


Alle Rechte vorbehalten/ All rights reserved



| All Dimensions in mm<br>Original Size DIN A 4 |      | Techn. Character.  |      |  | Nicht tolerierte Maß/Free size tolerances |                  |     |     |       |     |        |  |  |  |  |
|---|------|--|------|--|---|------------------|-----|-----|-------|-----|--------|--|--|--|--|
|   |      | <table border="1"> <tr> <th>Dat.</th> <th>Name</th> <th>Maßstab/Scale</th> </tr> <tr> <td>Detail. 30.11.10</td> <td>Spr</td> <td rowspan="3">1:1</td> </tr> <tr> <td>Insp.</td> <td>Sch</td> </tr> <tr> <td>Stand.</td> <td></td> </tr> </table> | Dat. | Name   | Maßstab/Scale                             | Detail. 30.11.10 | Spr | 1:1 | Insp. | Sch | Stand. |  | <b>Han 10HvE-agg-LB-K</b><br>Anbaugeschäube<br>housing bulkhead mounting |  |  |
| Dat.  | Name | Maßstab/Scale  |      |  |   |                  |     |     |       |     |        |  |  |  |  |
| Detail. 30.11.10                              | Spr  | 1:1  |      |  |   |                  |     |     |       |     |        |  |  |  |  |
| Insp.   | Sch  |  |      |  |   |                  |     |     |       |     |        |  |  |  |  |
| Stand.  |      |  |      |  |   |                  |     |     |       |     |        |  |  |  |  |
| A   |      | HARTING Electric GmbH & Co. KG<br>D-32339 Espelkamp  |      | <b>TB 09 34 010 0304</b><br>Sub. TB 09 34 010 0304 v. 16.02.00 |   |                  |     |     |       |     |        |  |  |  |  |
| Mod.  | Dat. | Name   |      |  | Blatt/page                                |                  |     |     |       |     |        |  |  |  |  |