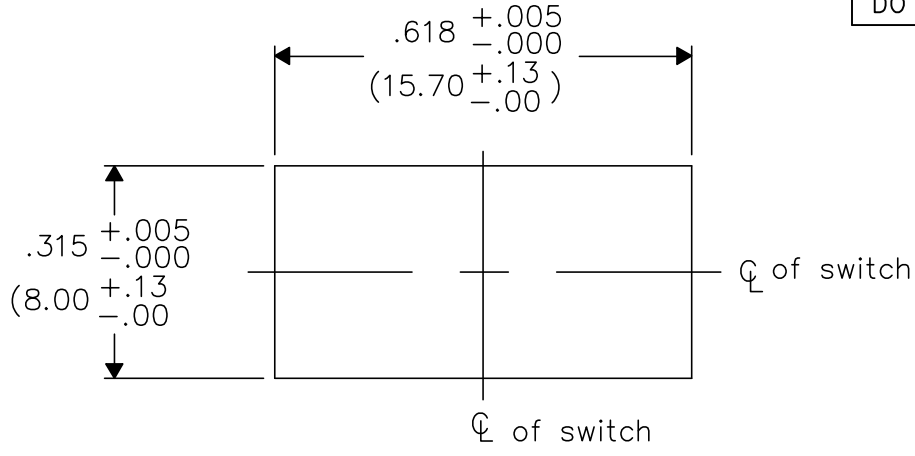
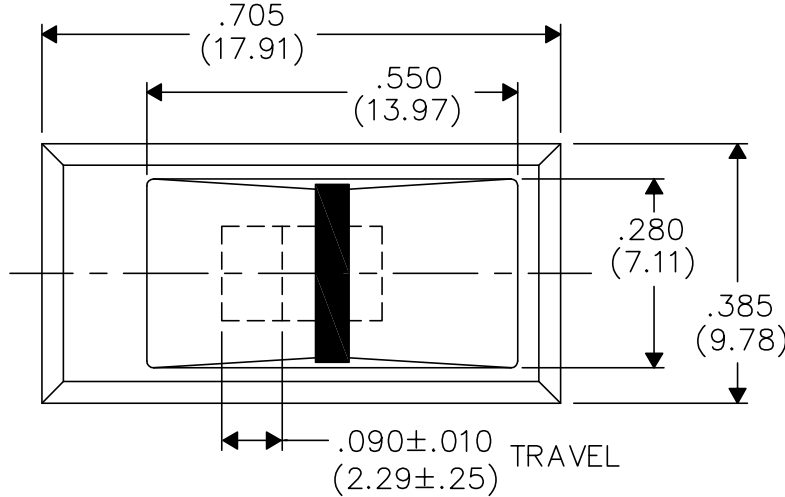
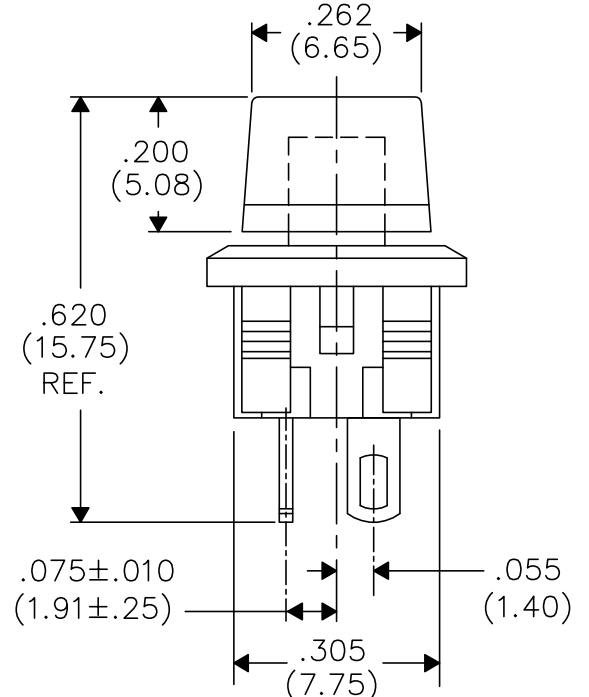
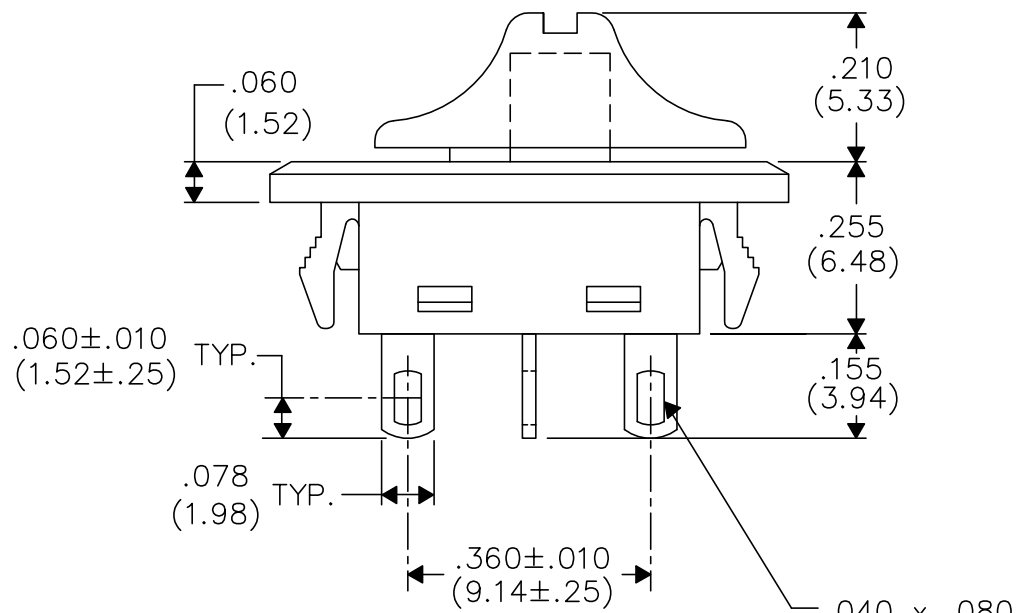


DIMENSIONS IN INCHES (MILLIMETERS)
DO NOT SCALE DRAWING

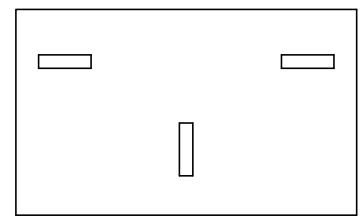
Dwg. No.
G-107SI-0011



PANEL PIERCING



.040 x .080 (1.02 x 2.03) SLOT TYP.



BOTTOM VIEW

1	2	3	4	5	6	7	8	9	10
---	---	---	---	---	---	---	---	---	----

B-FORMAT 2002
REVISIONS
O
RELEASED. DGW 12-02-2004
Dec. 13, 2004

PDF File Made	CW INDUSTRIES Southampton, Pa. 18966		Title: MICRO SWITCH ASSEMBLY SNAP-IN S.P./S.T.
	TOLERANCES UNLESS OTHERWISE SPECIFIED		
	2 Place Decimal ±.010	METRIC	
	3 Place Decimal ±.005	1 Place Dec. ±.25mm 2 Place Dec. ±.13mm	
Made for:	CW IND.	Division:	SWITCH
Drawn by:	DGW 12-02-2004	Dwg. No.	G-107SI-0011
Checked by:	GG 12-7-04		
Approval:	BF 12-7-4		