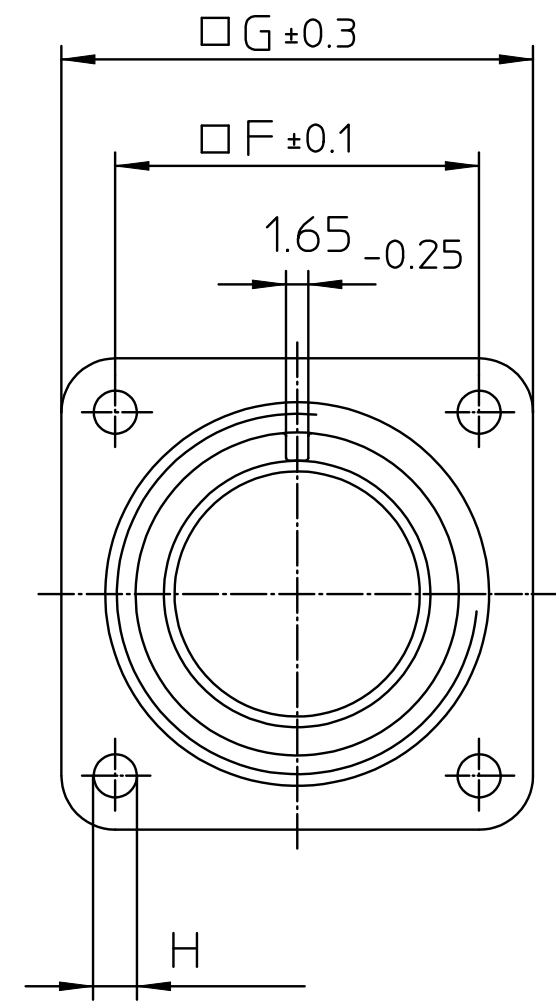
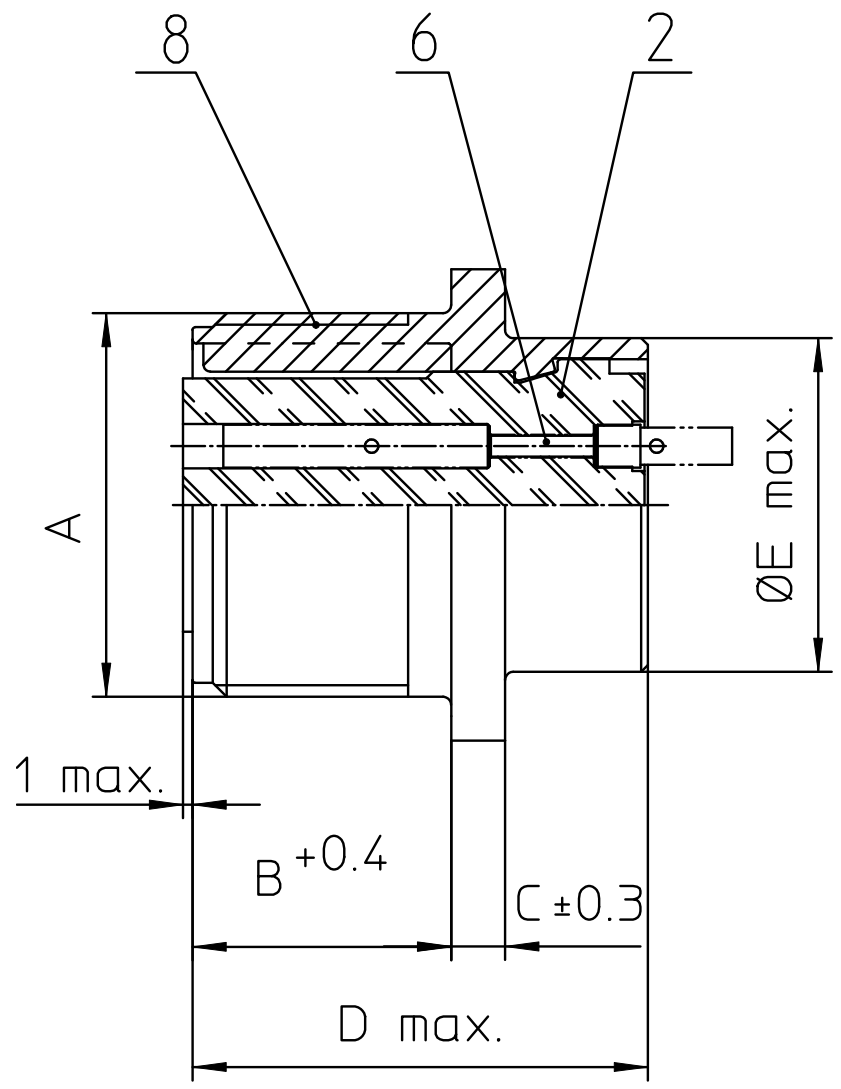
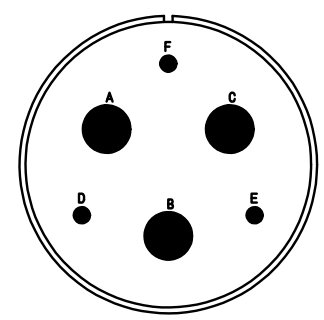


| NO. | MASSE / DIMENSION |
|-----|-------------------|
| A | 1 3/4-18NS-2A |
| B | 20.6 |
| C | 4 |
| D | 34.2 |
| E | 41.2 |
| F | 39.7 |
| G | 50.8 |
| H | 3.7 |



| NO. | BESCHREIBUNG / DESCRIPTION |
|-----|---|
| 2 | ISOLIERKÖRPER BUCHSE / INSULATOR SOCKET |
| 6 | KONTAKTBUCHSE / CONTACT SOCKET |
| 8 | DOSENGEHÄUSE / SHELL |



Note: Due to an automatic nomenclature system, numbers generated may not be sequential.
 Specification and Dimensions subject to change
 Drawings illustrate normal insulator positioning

| Material Specification: | |
|-------------------------|--|
| Shell Material: | Aluminium alloy |
| Shell Plating: | Olive drab chromate coating over cadmium plating |
| Insulator Material: | Neoprene |
| Contact Material: | Copper alloy |
| Contact Plating: | Hard silver |

all dimensions are in mm
 Dimensions without tolerance indications are general tolerances in acc. with DIN7168m

drawing for CUSTOMER

description MS3102E28-22SW
 Box mounting receptacle

Solder Cup / Socket / Layout: 28-22

Engineered for life
 ITT CANNON GmbH
 D - 71384 Weinstadt/Germany