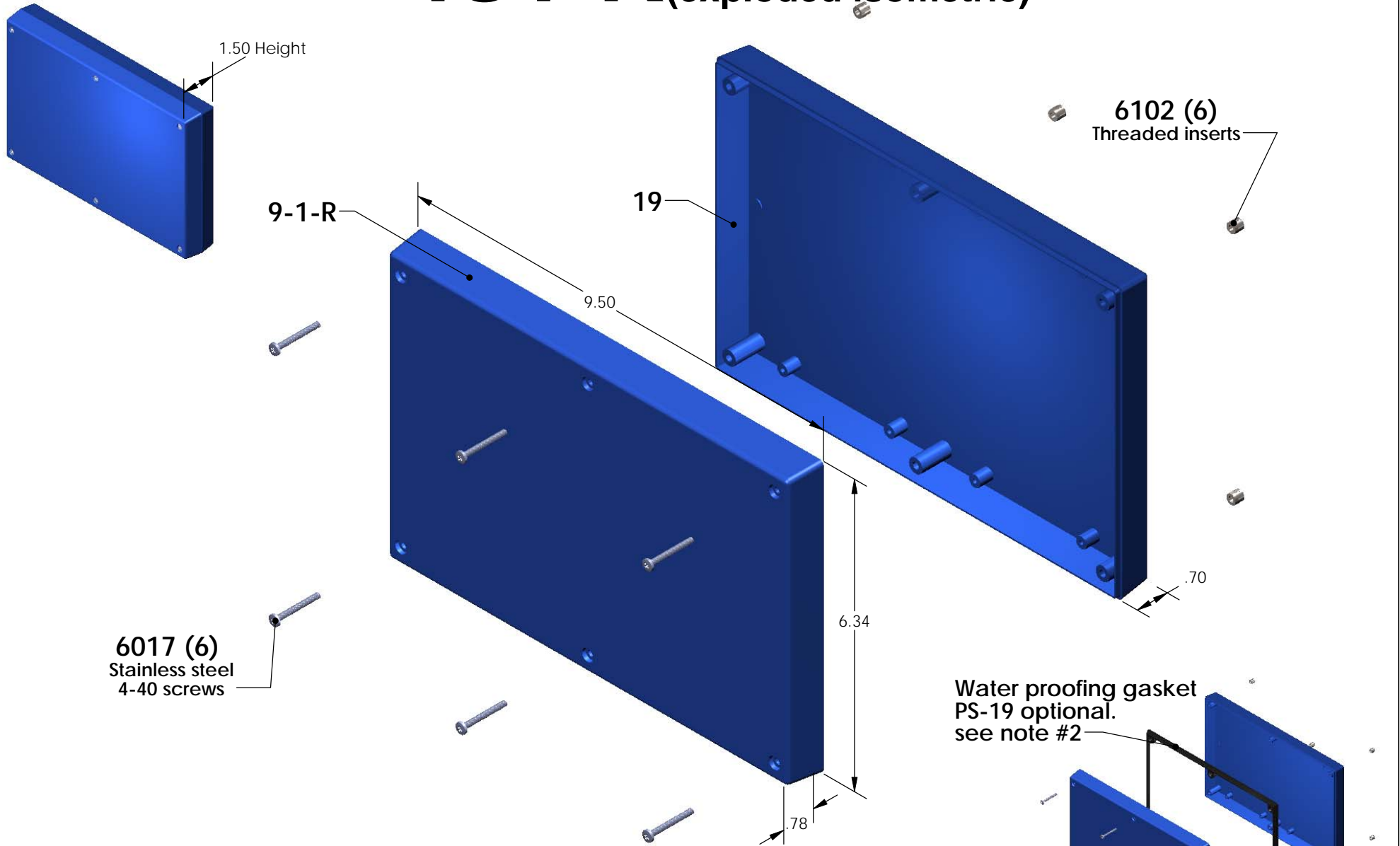


SERPAC Electronic Enclosures 191-R (exploded isometric)



6017 (6)
Stainless steel
4-40 screws

6102 (6)
Threaded inserts

Water proofing gasket
PS-19 optional.
see note #2

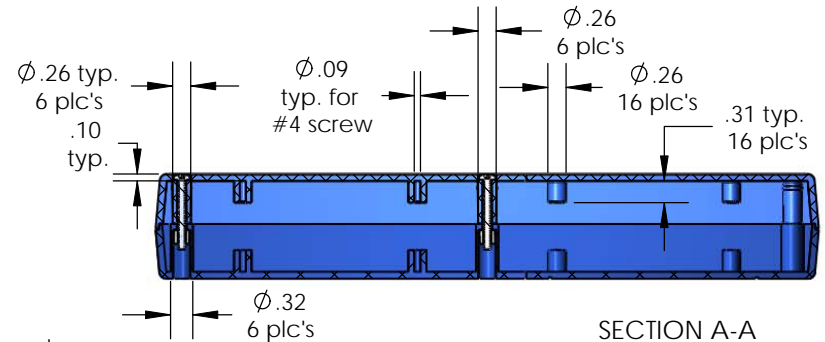
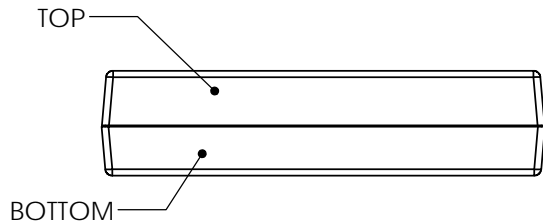
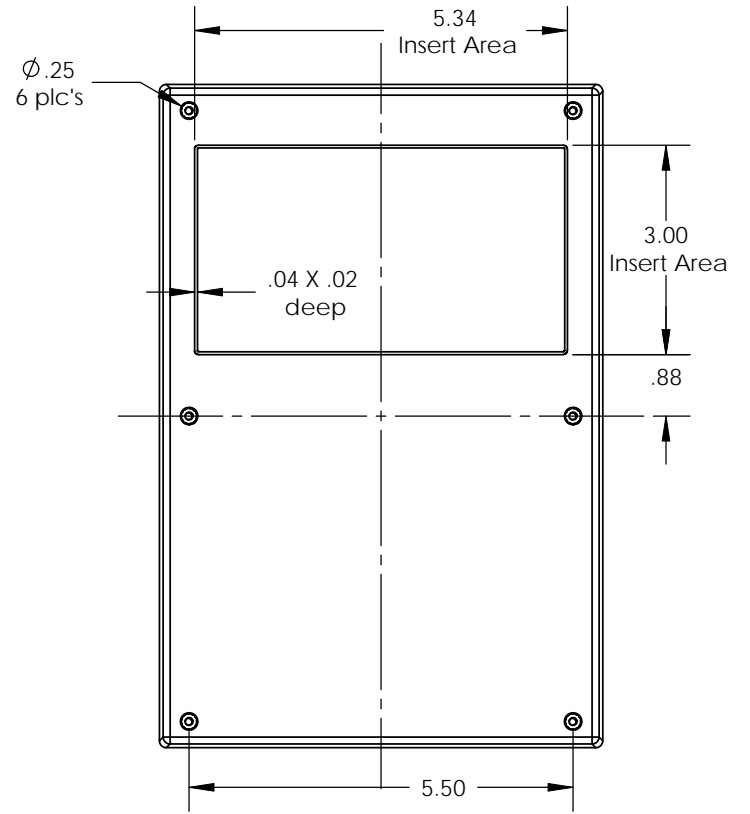
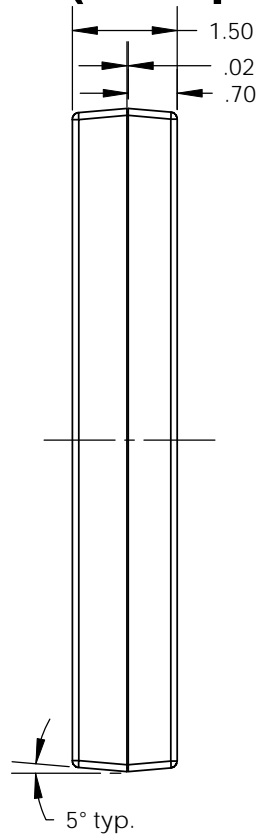
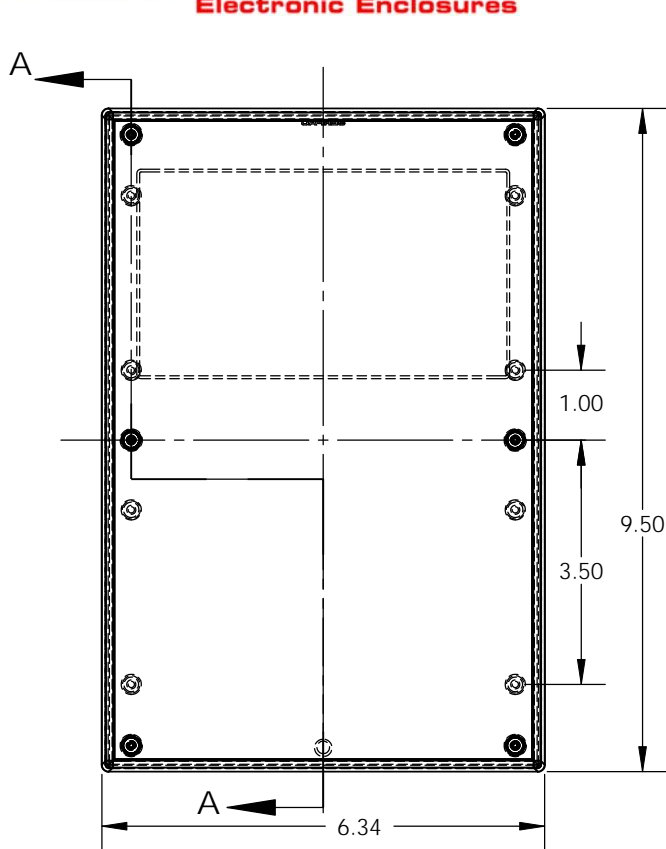
PART NO.	DESCRIPTION (Included)	ACCESSORIES (Optional)	
9-1-R	TOP	PART NO.	DESCRIPTION
19	BOTTOM	PS-19	Perimeter Seal
6017	4-40 SCREW (6)		
6102	THREADED INSERTS (6)		

Notes: Enclosure weight .64 lbs / 293 gm
 1) Enclosure meets or exceeds IP40 and NEMA 1
 2) When used with PS-19 the enclosure meets or exceeds IP 66 and NEMA 4X, 12 and 13 MIL-STD-810G 506.5
 3) Circuit Board drawings can be download at:
<http://www.serpac.com/Accessories/CircuitBoard/drawings/19X-CB.pdf>
 4) All components are RoHS Compliant.

ALL DIMENSIONS ARE ± .010" 8/28/09 (1 of 2)
619 Commercial Ave. Covina, CA 91723
 Ph. (626) 331-0517 Fx. (626) 331-8584 serpac.com

SERPAC 191-R (user print)

Electronic Enclosures



SECTION A-A
SCALE 1 : 2.75

PART NO.	DESCRIPTION (Included)	ACCESSORIES (Optional)	
9-1-R	TOP	PART NO.	DESCRIPTION
19	BOTTOM	PS-19	Perimeter Seal
6017	4-40 SCREW (6)		
6102	THREADED INSERTS (6)		

Notes: Enclosure weight .64 lbs / 293 gm
 1) Enclosure meets or exceeds IP40 and NEMA 1
 2) When used with PS-19 the enclosure meets or exceeds IP 67 and NEMA 4X, 12 and 13 MIL-STD-810G 506.5
 3) Circuit Board drawings can be download at:
http://www.serpac.com/Accessories/CircuitBoard/drawings/19X_CB.pdf
 4) All components are RoHS Compliant.