

LAYOUT SHOWN AS EXAMPLE

Keying Shown as example

CHARACTERISTICS

- Standard : Based on MIL-DTL-38999 Series III
- Shell Material : Aluminium
- Shell Plating : Olive drab Cadmium
- Insulator : Thermoplastic
- Contacts : Copper Alloy
- Seals & Grommet : Silicon Elastomer
- Contact Plating : Gold over copper Alloy 0.8µm minimum
- Durability : 500 Mating cycles
- Delivered with Souriau contacts and Accessories
- Temperature Range : -65°C to +175°C
- Salt Spray : 500 hours
- Mass : 64.8 g ± 10%

Connector dimension	
Dim	Nominal
P	3.91±0.2
PP	6.15±0.2
R1	34.93
R2	31.75
S	42.9±0.3
V	20.07+0/-1.25
W	2.1/3.2
Z	31.5 Max
VV THREAD	M34x1-6g

SOURIAU shall not be liable for any non-conformity or damage due to a use of the Products which does not comply with the Specifications issued by either of the Parties or by a third party (professional recommendation, technical notice.)

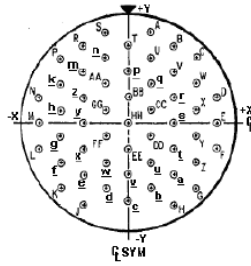
Country	Jurisdiction & Control List
FR	Not Listed

PN: 8D023W53SA

A	23-09-2016	First Release	
ISS	DATE	Latest modification - by	MOD N°
Designed By:		Date:	CUSTOMER DRAWING
TITLE	Aluminium Receptacle 8D series		
SCALE		General linear Tolerances: ±--	NPRDS / PROJECT 859
NA	SOURIAU WWW.SOURIAU.COM		This document is the property of SOURIAU it must not be reproduced or communicated without permission
FORMAT	A3		SOURIAU DRG N° 8D023W53SA-C SHEET 1/2

BASIC SERIES:	8D	0	-	23	W	53	S	A	ORIENTATION : A
SHELL TYPE :	Square Flange Receptacle								
CONTACT TYPE :	Standard Crimp Contact								
SHELL SIZE :	23								
PLATING :	W = Olive drab Cadmium								
	CONTACT TYPE : SOCKET(500 Matings)								
	CONTACT LAYOUT : 23-53								

Contact Layout

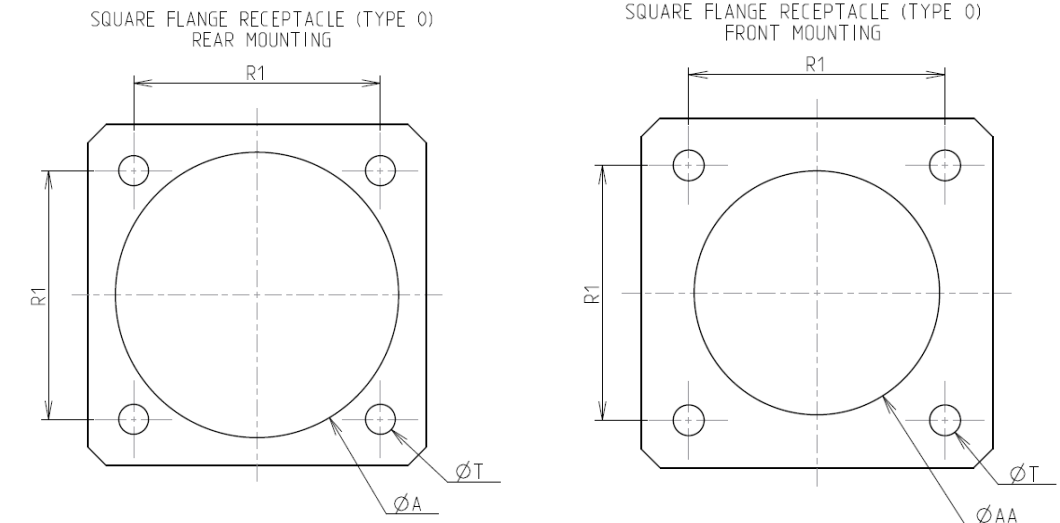


Contacts (Insert arrangement 23-53)					
Contact position ID	Location		Contact position ID	Location	
	X-axis (mm)	Y-axis (mm)		X-axis (mm)	Y-axis (mm)
A	+112 (2.84)	+455 (11.56)	e	-225 (5.72)	-260 (6.60)
B	+225 (5.72)	+390 (9.91)	f	-336 (8.53)	-195 (4.95)
C	+336 (8.53)	+325 (8.26)	g	-336 (8.53)	-065 (1.65)
D	+450 (11.43)	+130 (3.30)	h	-336 (8.53)	+065 (1.65)
E	+450 (11.43)	+000 (0.00)	i	-336 (8.53)	+195 (4.95)
F	+450 (11.43)	-130 (3.30)	m	-225 (5.72)	+260 (6.60)
G	+336 (8.53)	-325 (8.26)	n	-112 (2.84)	+325 (8.26)
H	+225 (5.72)	-410 (10.41)	p	+000 (0.00)	+260 (6.60)
J	-225 (5.72)	-410 (10.41)	q	+112 (2.84)	+195 (4.95)
K	-336 (8.53)	-325 (8.26)	r	+225 (5.72)	+130 (3.30)
L	-450 (11.43)	-130 (3.30)	s	+225 (5.72)	+000 (0.00)
M	-450 (11.43)	+000 (0.00)	t	+225 (5.72)	-130 (3.30)
N	-450 (11.43)	+130 (3.30)	u	+112 (2.84)	-195 (4.95)
P	-336 (8.53)	+325 (8.26)	v	+000 (0.00)	-260 (6.60)
R	-225 (5.72)	+390 (9.91)	w	-112 (2.84)	-195 (4.95)
S	-112 (2.84)	+455 (11.56)	x	-225 (5.72)	-130 (3.30)
T	+000 (0.00)	+390 (9.91)	y	-225 (5.72)	+000 (0.00)
U	+112 (2.84)	+325 (8.26)	z	-225 (5.72)	+130 (3.30)
V	+225 (5.72)	+260 (6.60)	AA	-112 (2.84)	+195 (4.95)

Contacts (Insert arrangement 23-53)					
Contact position ID	Location		Contact position ID	Location	
	X-axis (mm)	Y-axis (mm)		X-axis (mm)	Y-axis (mm)
W	+336 (8.53)	+195 (4.95)	BB	+000 (0.00)	+130 (3.30)
X	+336 (8.53)	+065 (1.65)	CC	+112 (2.84)	+065 (1.65)
Y	+336 (8.53)	-065 (1.65)	DD	+112 (2.84)	-065 (1.65)
Z	+336 (8.53)	-195 (4.95)	EE	+000 (0.00)	-130 (3.30)
a	+225 (5.72)	-260 (6.60)	FF	-112 (2.84)	-065 (1.65)
b	+112 (2.84)	-325 (8.26)	GG	-112 (2.84)	+065 (1.65)
c	+000 (0.00)	-390 (9.91)	HH	+000 (0.00)	+000 (0.00)
d	-112 (2.84)	-325 (8.26)	---	---	---

Shell size	Arrangement no.	Number of contacts	Size contacts	Service rating	Contact location	Supersedes
23	-53	53	20	I	All	MS20056-53

Panel Cutout



Dim	Nominal
ØA	39.29 min
ØAA	34.93 min
R1	34.93
ØT	3.91 ±0.13

SOURIAU shall not be liable for any non-conformity or damage due to a use of the Products which does not comply with the Specifications issued by either of the Parties or by a third party (professional recommendation, technical notice.)

Country	Jurisdiction & Control List
FR	Not Listed

PN: 8D023W53SA

A	23-09-2016	First Release	
ISS	DATE	Latest modification - by	MOD N°
Designed By:		Date:	CUSTOMER DRAWING
TITLE	Aluminium Receptacle 8D series		
SCALE		General linear Tolerances:	NPRDS / PROJECT
NA		±--	859
SOURIAU	WWW.SOURIAU.COM		This document is the property of SOURIAU it must not be reproduced or communicated without permission
FORMAT	SOURIAU DRG N° 8D023W53SA-C		SHEET 2/2