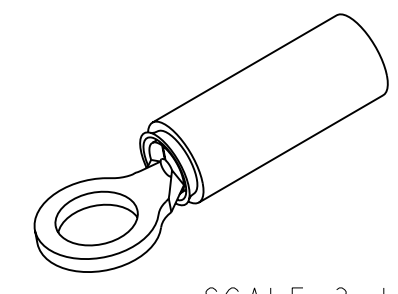
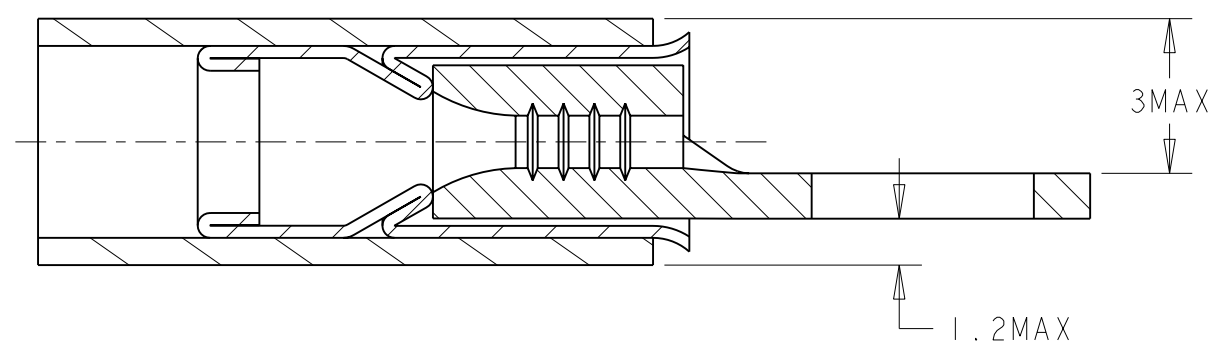


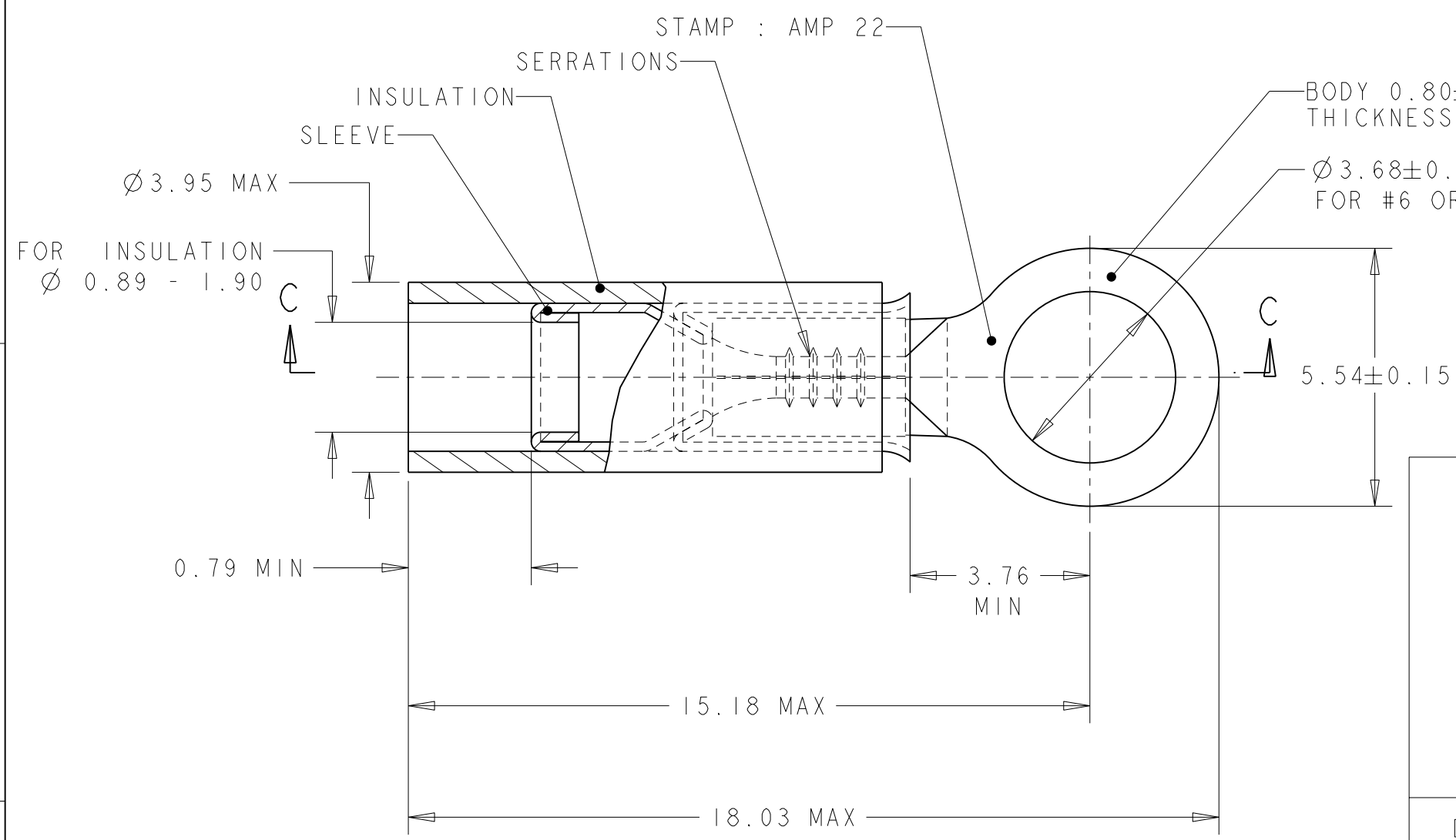
THIS DRAWING IS UNPUBLISHED. RELEASED FOR PUBLICATION 20  
 © COPYRIGHT 20 BY TYCO ELECTRONICS CORPORATION. ALL RIGHTS RESERVED.

LOC	DIST	REVISIONS			
P	LTR	DESCRIPTION	DATE	DWN	APVD
F	00	B	ECR 07-025006	23OCT2007	JT GR

COUPE C - C



SCALE 3:1



WIRE TERMINAL	1577617-1	BODY : COPPER ANNEALED FINISH : NICKEL PLATED
		SLEEVE : COPPER ANNEALED FINISH : NICKEL PLATED
		INSULATION : PEEK COLOR : BROWN
DESCRIPTION	PART NUMBER	MATERIAL & FINISH

THIS DRAWING IS A CONTROLLED DOCUMENT FOR TYCO ELECTRONICS CORPORATION. IT IS SUBJECT TO CHANGE AND THE CONTROLLING ENGINEERING ORGANIZATION SHOULD BE CONTACTED FOR THE LATEST REVISION.		DWN	09DEC2005		TYCO ELECTRONICS France SAS BP 30039, 95301 CERGY-PONTOISE Cedex		
DIMENSIONS: mm		CHK	09DEC2005		NAME	TERMINAL, PEEK PIDG STRATO, 24-22 AWG	
TOLERANCES UNLESS OTHERWISE SPECIFIED:		APVD	09DEC2005			PRODUCT SPEC	108-15356
0 PLC ±-		Y. PETRONIN			APPLICATION SPEC	114-15102	
1 PLC ±0.3		WEIGHT		0,52 gr	SIZE	A3	
2 PLC ±-		FINISH		SEE TABLE	CAGE CODE	-	
3 PLC ±-		CUSTOMER DRAWING			DRAWING NO	1577617	
4 PLC ±-		SCALE		8:1	SHEET	1 OF 1	
ANGLES ±5		REV		B			