

**NOTES:**

**1. MATERIALS:**

HOUSING: GLASS-FILLED LIQUID CRYSTAL POLYMER (LCP),

UL94 V-0, COLOR:BLACK

TAIL ALIGNER: GLASS-FILLED LIQUID CRYSTAL POLYMER (LCP),

UL94 V-0, COLOR:BLACK

TERMINAL: PHOSPHOR BRONZE

SHIELD: STEEL

INSERT: BRASS

**2. FINISHES:**

TERMINAL: 0.05-0.25 MICROMETERS GOLD FLASH OVER 0.75 MICROMETERS MINIMUM PALLADIUM NICKEL IN THE CRITICAL CONTACT AREA. 1.87 MICROMETERS MINIMUM TIN IN THE SOLDER TAIL AREA. NICKEL UNDERPLATE OVERALL.

SHIELD: 3.8 MICROMETERS MINIMUM BRIGHT TIN OVER NICKEL.

INSERT: 2.54 MICROMETERS MINIMUM NICKEL.

**3. PART PERFORMS TO MOLEX PRODUCT SPECIFICATION**

PS-71425-9999.

**4. PACKAGE PER PK-71430-0101.**

**5. APPLICABLE STANDARDS: EIA-3652 AND SFF-8441.**

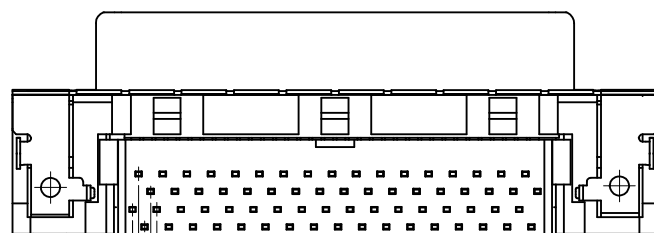
**6. DATE CODE: YR/WK PER EIA-476-A.**

**7. TORQUE TO INSTALL SCREWLOCKS INTO THREADED INSERTS:**

0.34 Nm MAXIMUM.

**8. PRODUCT COMPLIES WITH COSMETIC SPECIFICATION PS-45499-002.**

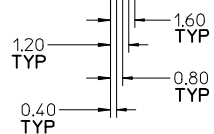
SEE BOTTOM VIEW FOR SURFACE CLASSIFICATIONS.



CLASS B

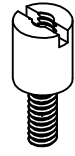
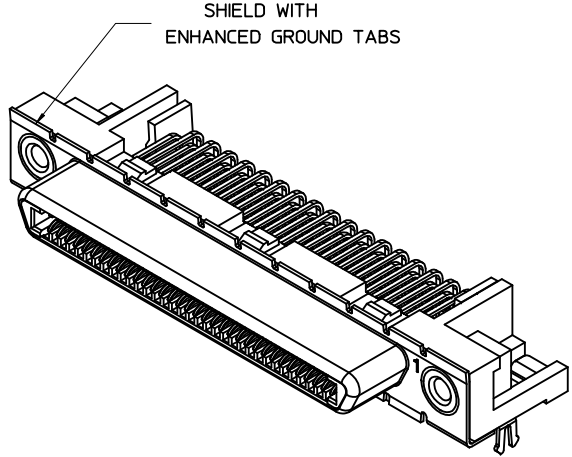
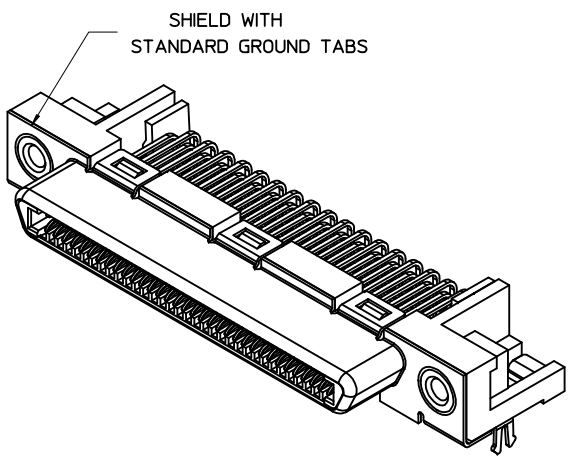
SEE NOTE 8

CLASS C



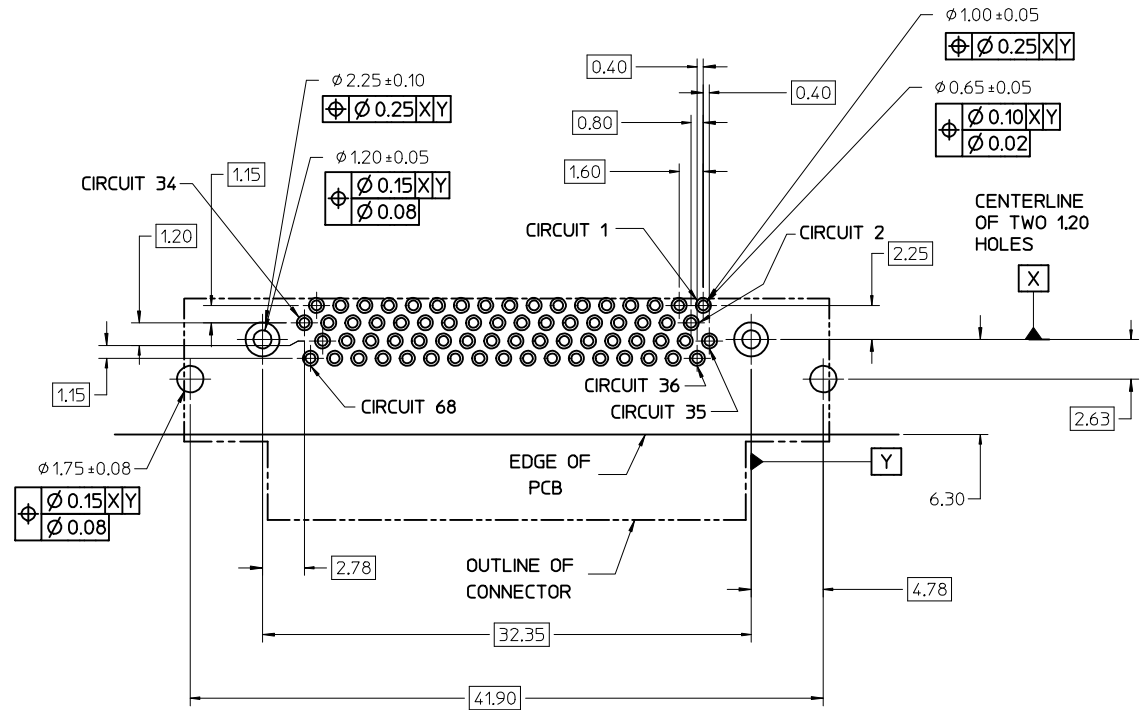
<b>FIX TAIL TOLERANCE</b> EC NO: UCP2012-3896 DRWN:BBARKER 2012/05/29 CHKD:MMOLFE APPR:SMILLER 2012/08/31	QUALITY SYMBOLS = 0 = 0.13 = 0.25	GENERAL TOLERANCES (UNLESS SPECIFIED) <table border="1"> <tr> <th></th> <th>mm</th> <th>INCH</th> </tr> <tr> <td>4 PLACES</td> <td>± ---</td> <td>± ---</td> </tr> <tr> <td>3 PLACES</td> <td>± ---</td> <td>± ---</td> </tr> <tr> <td>2 PLACES</td> <td>± 0.13</td> <td>± ---</td> </tr> <tr> <td>1 PLACE</td> <td>± 0.25</td> <td>± ---</td> </tr> <tr> <td>0 PLACE</td> <td>±</td> <td>±</td> </tr> </table>		mm	INCH	4 PLACES	± ---	± ---	3 PLACES	± ---	± ---	2 PLACES	± 0.13	± ---	1 PLACE	± 0.25	± ---	0 PLACE	±	±	DIMENSION STYLE <b>MM ONLY</b> DRAWN BY: RKADAMS DATE: 7/12/2004 CHECKED BY: BBARKER DATE: 7/12/2004 APPROVED BY: SMILLER DATE: 7/12/2004	SCALE <b>4:1</b>	DESIGN UNITS <b>METRIC</b>	THIRD ANGLE PROJECTION 
		mm	INCH																					
	4 PLACES	± ---	± ---																					
	3 PLACES	± ---	± ---																					
2 PLACES	± 0.13	± ---																						
1 PLACE	± 0.25	± ---																						
0 PLACE	±	±																						
		ANGULAR ±1/2°	TITLE <b>VHDCI RIGHT ANGLE ASSEMBLY</b>																					
		DRAFT WHERE APPLICABLE MUST REMAIN WITHIN DIMENSIONS	MATERIAL NO. <b>SEE SHEET 2</b>		DOCUMENT NO. <b>SD-71430-016</b>	SHEET NO. <b>1 OF 3</b>																		
THIS DRAWING CONTAINS INFORMATION THAT IS PROPRIETARY TO MOLEX INCORPORATED AND SHOULD NOT BE USED WITHOUT WRITTEN PERMISSION																								

PCB THICKNESS	PART NUMBER	TAIL LENGTH *T* (SEE FIGURE FOR TOLERANCE)	ENHANCED GROUND TABS	SCREWLOCKS
1.60	71430-9101	2.08	NO	NONE
1.60		2.08	NO	LOOSE IN BAGS
1.60	71430-9005	2.08	YES	NONE
1.60	71430-9008	2.08	YES	LOOSE IN BAGS
2.36		2.71	NO	NONE
2.36	71430-5006	2.71	NO	INSTALLED
2.36	71430-9268	2.71	NO	NONE
2.36	71430-5009	2.71	YES	INSTALLED
2.36		2.71	NO	LOOSE IN BAGS
2.36		2.71	YES	LOOSE IN BAGS



OPTIONAL SCREWLOCK  
PART NUMBER 71433-0002

SEE SHEET 1 EC NO: UCP2012-3896 DRWN:BBARKER 2012/05/29 CHKD:MMOLFE APPR:SMILLER 2012/08/31	QUALITY SYMBOLS	GENERAL TOLERANCES (UNLESS SPECIFIED)	DIMENSION STYLE	SCALE	DESIGN UNITS	THIRD ANGLE PROJECTION
	▽=0	mm INCH	MM ONLY	4:1	METRIC	
	▽=0	4 PLACES ± --- ± ---	DRAWN BY DATE	TITLE <b>VHDCI RIGHT ANGLE ASSEMBLY</b>  <b>molex</b>  DOCUMENT NO. SD-71430-016 SHEET NO. 2 OF 3		
	▽=0	3 PLACES ± --- ± ---	CHECKED BY DATE			
	▽=0	2 PLACES ± 0.13 ± ---	APPROVED BY DATE			
	1 PLACE ± 0.25 ± ---	MATERIAL NO.				
	0 PLACE ± ±	SEE TABLE				
	ANGULAR ±1/2°	DRAFT WHERE APPLICABLE MUST REMAIN WITHIN DIMENSIONS	THIS DRAWING CONTAINS INFORMATION THAT IS PROPRIETARY TO MOLEX INCORPORATED AND SHOULD NOT BE USED WITHOUT WRITTEN PERMISSION			



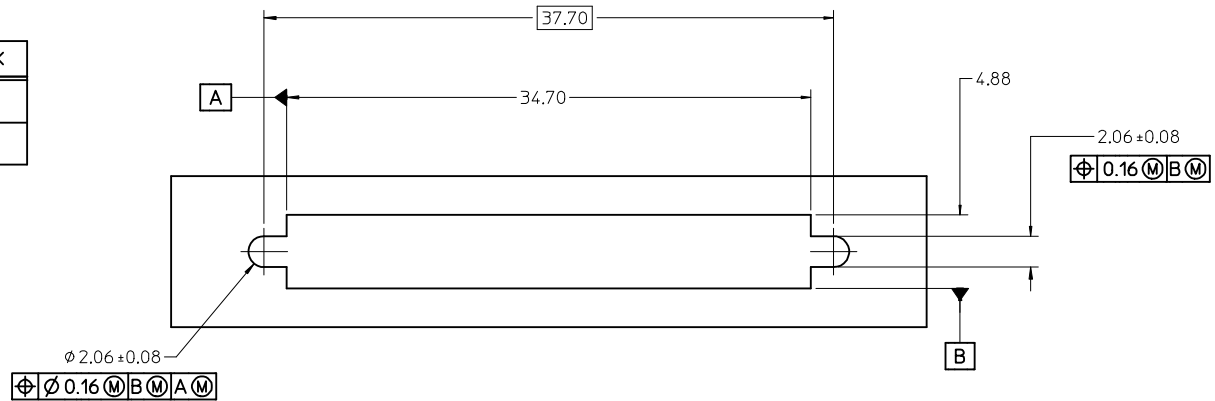
**NOTES:**

1. FOR FULL MATE WITH PLUG, PANEL THICKNESS SHOULD NOT EXCEED 1.0mm.

FUNCTIONAL MATING WITH MOLEX PLUG CAN STILL BE MAINTAINED WITH PANELS AS THICK AS 2.5mm (BUT PLUG AND RECEPTACLE WILL NOT BE FULLY MATED).

2. GUIDELINES FOR CHOOSING A MOLEX SCREWLOCK:

PANEL THICKNESS	RECOMMENDED SCREWLOCK
LESS THAN OR EQUAL TO 1.00 MM	71433-0002
1.01 TO 2.15 MM	71433-0010



<b>SEE SHEET 1</b> EC NO: UCP2012-3896 DRWN:BBARKER 2012/05/29 CHKD:HWOLFE APPR:SMILLER 2012/08/31	QUALITY SYMBOLS $\nabla = 0$ $\nabla = 0$ $\nabla = 0$	GENERAL TOLERANCES (UNLESS SPECIFIED) <table border="1"> <thead> <tr> <th></th> <th>mm</th> <th>INCH</th> </tr> </thead> <tbody> <tr> <td>4 PLACES</td> <td><math>\pm 0.13</math></td> <td><math>\pm 0.005</math></td> </tr> <tr> <td>3 PLACES</td> <td><math>\pm 0.25</math></td> <td><math>\pm 0.010</math></td> </tr> <tr> <td>2 PLACES</td> <td><math>\pm 0.38</math></td> <td><math>\pm 0.015</math></td> </tr> <tr> <td>1 PLACE</td> <td><math>\pm 0.51</math></td> <td><math>\pm 0.020</math></td> </tr> <tr> <td>0 PLACE</td> <td><math>\pm 0.64</math></td> <td><math>\pm 0.025</math></td> </tr> </tbody> </table>		mm	INCH	4 PLACES	$\pm 0.13$	$\pm 0.005$	3 PLACES	$\pm 0.25$	$\pm 0.010$	2 PLACES	$\pm 0.38$	$\pm 0.015$	1 PLACE	$\pm 0.51$	$\pm 0.020$	0 PLACE	$\pm 0.64$	$\pm 0.025$	DIMENSION STYLE <b>MM ONLY</b> DRAWN BY: RKADAMS DATE: 7/12/2004 CHECKED BY: BBARKER DATE: 7/12/2004 APPROVED BY: SMILLER DATE: 7/12/2004	SCALE <b>4:1</b> TITLE <b>VHDCI RIGHT ANGLE ASSEMBLY</b>	DESIGN UNITS <b>METRIC</b> THIRD ANGLE PROJECTION
		mm	INCH																				
	4 PLACES	$\pm 0.13$	$\pm 0.005$																				
	3 PLACES	$\pm 0.25$	$\pm 0.010$																				
2 PLACES	$\pm 0.38$	$\pm 0.015$																					
1 PLACE	$\pm 0.51$	$\pm 0.020$																					
0 PLACE	$\pm 0.64$	$\pm 0.025$																					
MATERIAL NO.		DOCUMENT NO.		<b>molex</b>																			
SEE SHEET 2		SD-71430-016		SHEET NO. <b>3 OF 3</b>																			
DRAFT WHERE APPLICABLE MUST REMAIN WITHIN DIMENSIONS																							