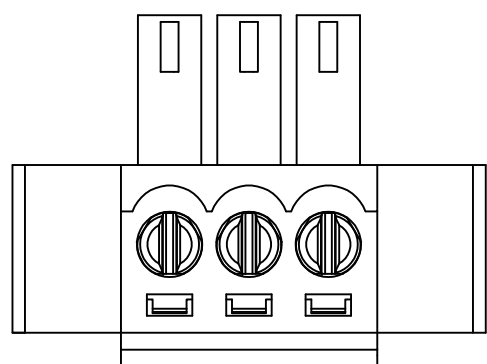


THIS DRAWING IS UNPUBLISHED. RELEASED FOR PUBLICATION
 © COPYRIGHT BY TYCO ELECTRONICS CORPORATION. ALL RIGHTS RESERVED.

LOC	DIST	REVISIONS					
FT	0	P	LTR	DESCRIPTION	DATE	DWN	APVD
			A3	REVISED PER ECO-10-014960	21JUL10	HMR	CR

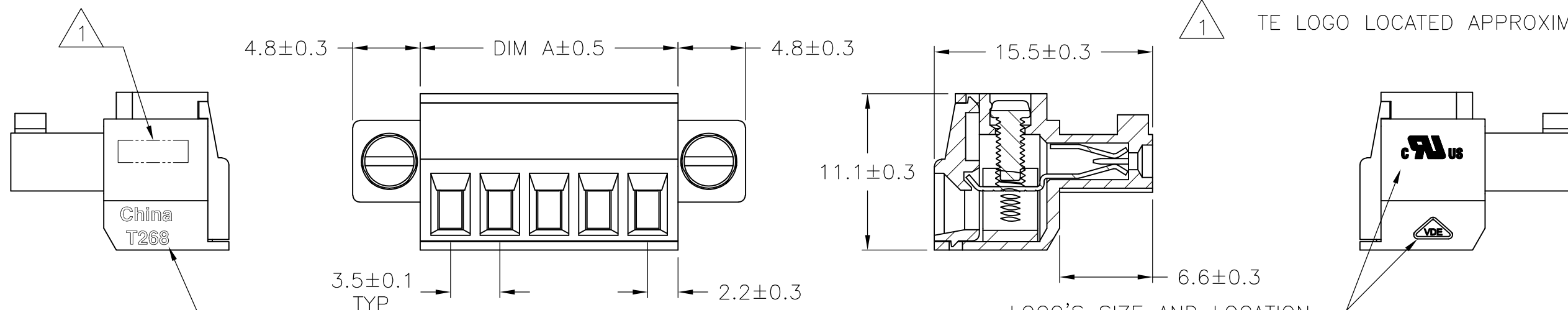


MATERIAL:
 HOUSING: POLYAMIDE 66, UL94V-0, GREEN.
 TERMINAL: PHOSPHOR BRONZE, TIN PLATED.
 CAGE CLAMP: BRASS, NICKEL PLATED.
 SCREWS: STEEL, NICKEL PLATED.

ELECTRICAL:
 CURRENT RATING: 10A.
 VOLTAGE RATING: 300V.
 WIRE RANGE: 16-26 AWG.
 SCREW TORQUE: 2.5 IN-LB.

ENVIRONMENTAL:
 OPERATION TEMP.: -40°C TO +105°C.

1 TE LOGO LOCATED APPROXIMATE AREA SHOWN.



TEXT SIZE AND LOCATION APPROX. AS SHOWN.

LOGO'S SIZE AND LOCATION APPROX AS SHOWN.

42.80	12	1-1776656-2
39.30	11	1-1776656-1
35.80	10	1-1776656-0
32.30	9	1776656-9
28.80	8	1776656-8
25.30	7	1776656-7
21.80	6	1776656-6
18.30	5	1776656-5
14.80	4	1776656-4
11.30	3	1776656-3
7.80	2	1776656-2
DIM A	NO. OF POS	PART NUMBER

THIS DRAWING IS A CONTROLLED DOCUMENT.		DWN	S SCHLEGEL	22JUL05	Tyco Electronics Corporation Harrisburg, Pa 17105-3608							
DIMENSIONS: mm		CHK	C RICHARD	7/22/05	NAME TERMINAL BLOCK, R/A PLUG W/ FLANGES, 3.5mm PITCH							
TOLERANCES UNLESS OTHERWISE SPECIFIED:		APVD	C RICHARD	7/22/05	PRODUCT SPEC							
0 PLC ± -		APPLICATION SPEC		SIZE			CAGE CODE	DRAWING NO	RESTRICTED TO			
1 PLC ± -		-		-			A3	00779	C-1776656	-		
2 PLC ± -		MATERIAL		WEIGHT		CUSTOMER DRAWING			SCALE	SHEET	OF	REV
3 PLC ± -		-		-		-			NTS	1	1	A3
4 PLC ± -		FINISH		-		-						
ANGLES ± -		-		-		-						