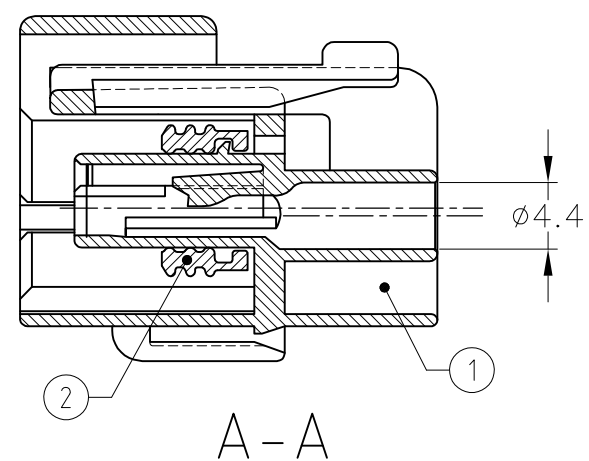
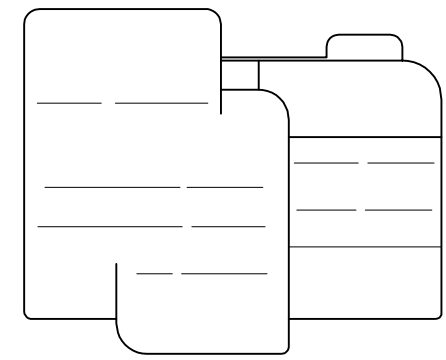
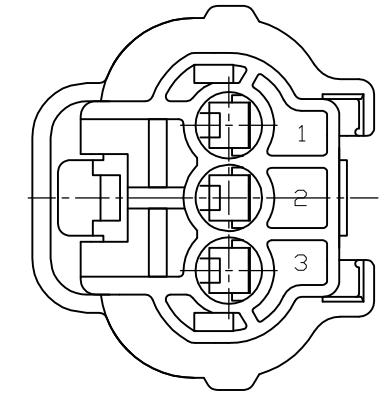
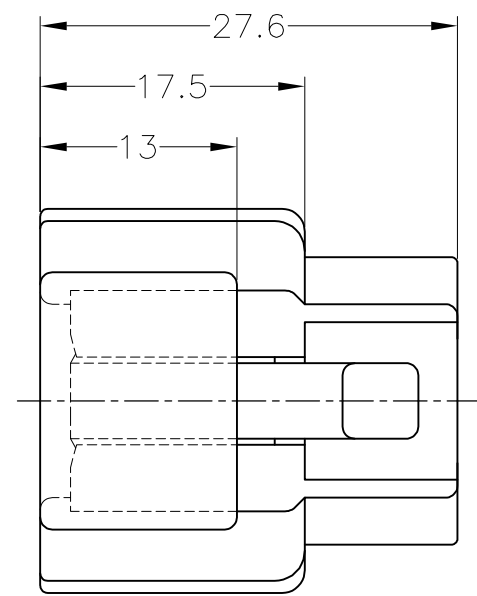
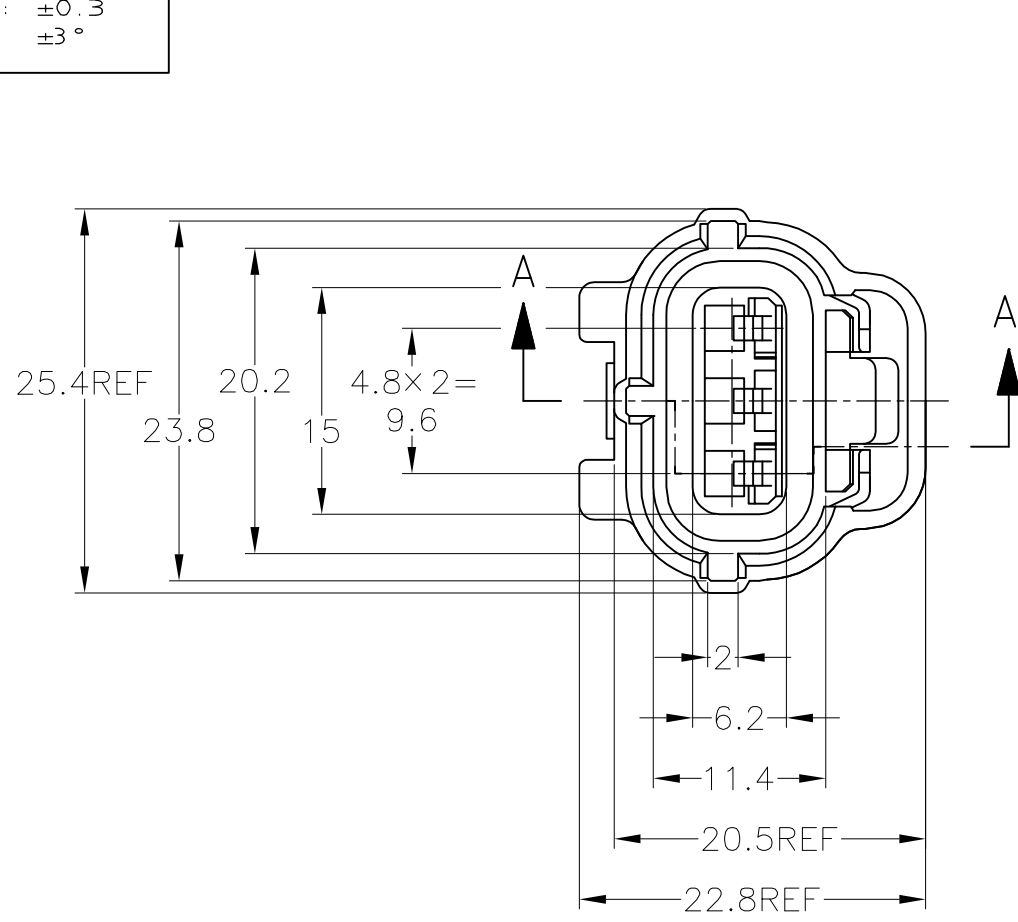


THIS DRAWING IS UNPUBLISHED.      RELEASED FOR PUBLICATION  
 © COPYRIGHT - By -      ALL RIGHTS RESERVED.

LOC	DIST	REVISIONS 変更			
P	LTR	DESCRIPTION	DATE	DWN	APVD
	C3	REVISED PER ECO-11-005140	28MAR11	RK	HMR

TOLERANCE UNLESS OTHERWISE SPECIFIED:  
 一般公差  
 0 < x ≤ 10 : ±0.2  
 10 < x ≤ 30 : ±0.25  
 30 < x ≤ 100 : ±0.3  
 ANGLE : ±3°  
 角度



1. 嵌合相手型番 : 174359, 173065
  2. 本品はプラグハウジング単体にシールリングがアッセンブリされたものである。
  3. 本品はダブルロックプレート型番 174358を装着して使用する。
- 
1. FOR CAP HOUSING PN 174359, 173065
  2. THIS PART IS COMPOSED OF PLUG HOUSING AND SEAL RING
  3. THIS PART MUST BE USED WITH DOUBLE LOCK PLATE PN 174358

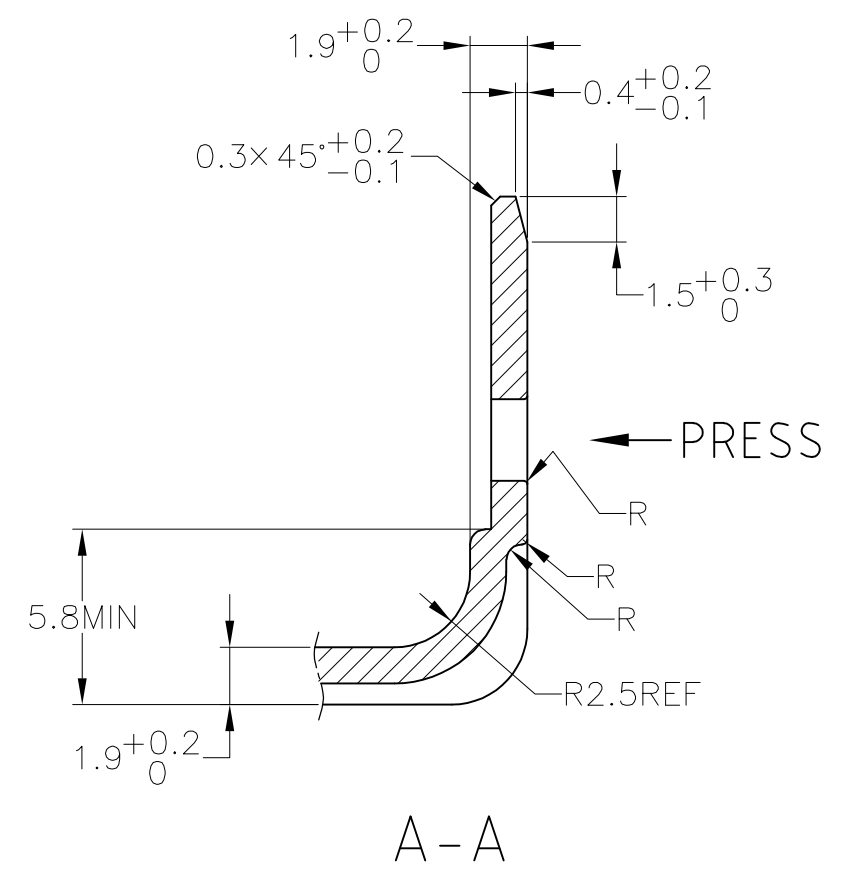
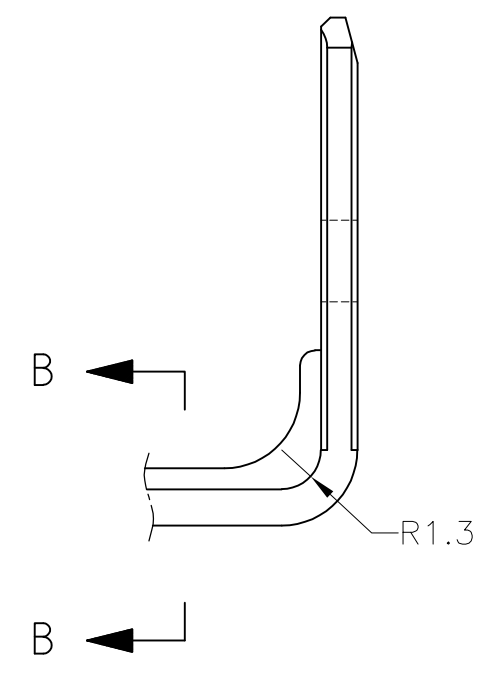
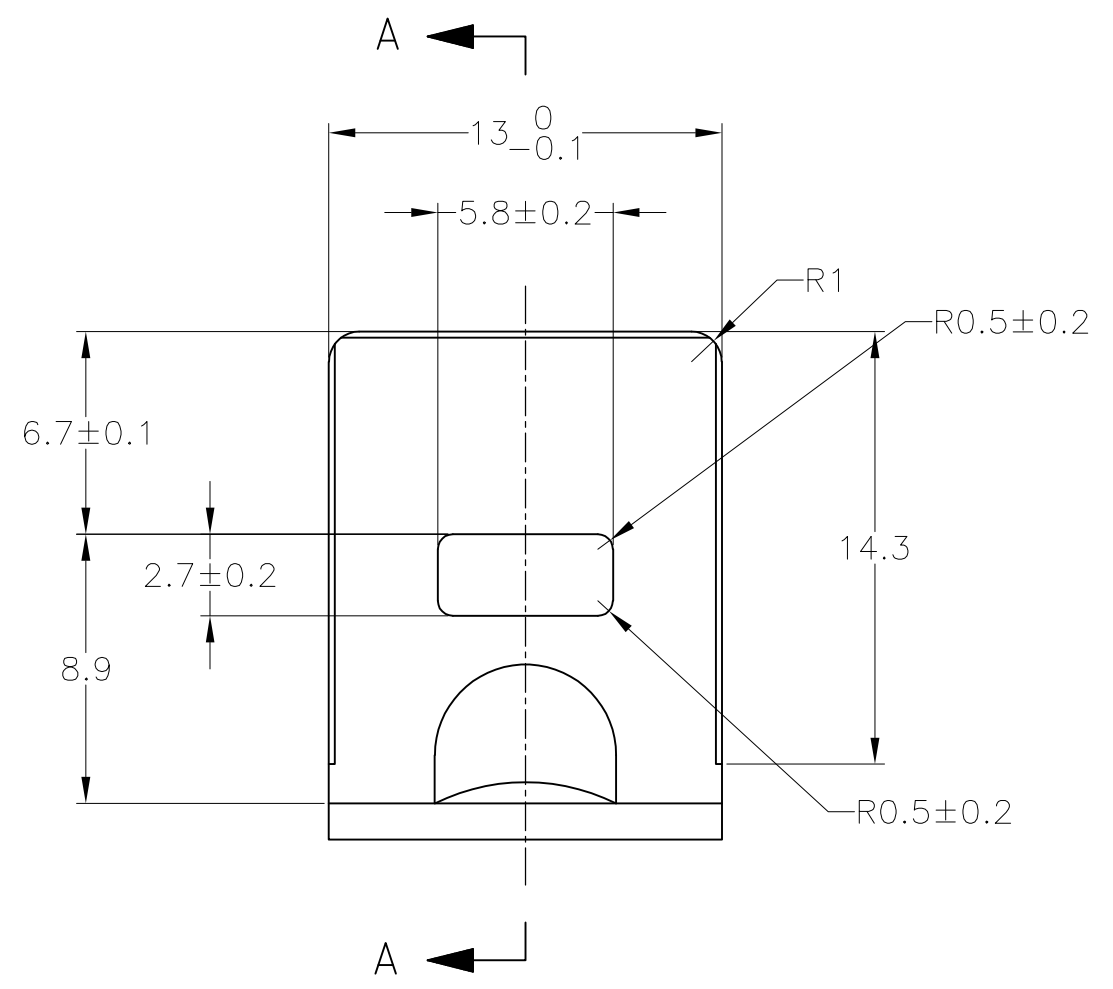
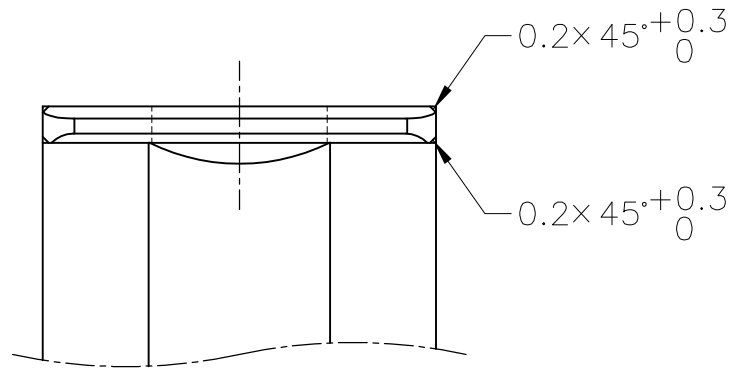
SILICON / GREEN	PBT / BLACK	2-174357-2
SILICON / BROWN	PBT / BLACK	1-174357-2
NBR / BLACK	PBT / GRAY	174357-6
NBR / BLACK	PBT / BLACK	174357-2
② SEAL RING	① PLUG HOUSING	PART NUMBER
MATERIAL / COLOR		

THIS DRAWING IS A CONTROLLED DOCUMENT.		DWN T.SHINOHARA 09FEB04	<b>TE Connectivity</b> 3Pos. ECONOSEAL J-MARKII+ CONNECTOR PLUG HOUSING					
DIMENSIONS: 単位: 耗 mm		CHK K.BETSUI 09FEB04				NAME 名称	RESTRICTED TO	
TOLERANCES UNLESS OTHERWISE SPECIFIED: 一般公差		APVD K.BETSUI 09FEB04				DRAWING NO 番号		SCALE 尺度 2:1
0 PLC ±- 1 PLC ±- 2 PLC ±- 3 PLC ±- 4 PLC ±- ANGLES ±-		PRODUCT SPEC 製品規格 108-5262				CAGE CODE A300779		
MATERIAL 材料 SEE TABLE		FINISH 仕上 -	WEIGHT 6.15g	REV C3				
CUSTOMER DRAWING			SHEET 1 OF 2					

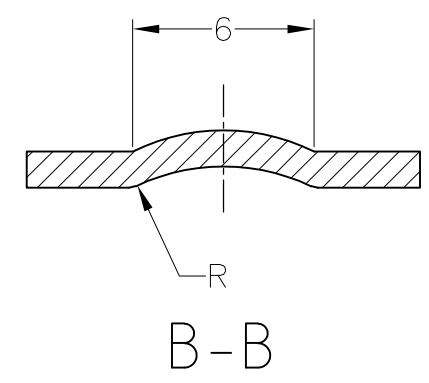
THIS DRAWING IS UNPUBLISHED. RELEASED FOR PUBLICATION  
 © COPYRIGHT - By - ALL RIGHTS RESERVED.

LOC	DIST	REVISIONS					
J	-	P	LTR	DESCRIPTION	DATE	DWN	APVD
		-		SEE SHEET 1	-	-	-

ブラケット推奨寸法図  
 RECOMMENDED DIMENSION OF BRACKET



t = 1.2 ± 0.08



TOLERANCE UNLESS OTHERWISE SPECIFIED: 一般公差

0 < x ≤ 10	: ±0.2
10 < x ≤ 30	: ±0.25
30 < x ≤ 100	: ±0.3
ANGLE ; 角度	: ±3°

THIS DRAWING IS A CONTROLLED DOCUMENT.		DWN T.SHINOHARA 09FEB04	TE Connectivity													
DIMENSIONS: 単位: 耗 mm		CHK K.BETSUI 09FEB04														
TOLERANCES UNLESS OTHERWISE SPECIFIED: 一般公差		APVD K.BETSUI 09FEB04	NAME 名称 3Pos. ECONOSEAL J-MARKII+ CONNECTOR PLUG HOUSING													
<table border="1"> <tr><td>0 PLC</td><td>± -</td></tr> <tr><td>1 PLC</td><td>± -</td></tr> <tr><td>2 PLC</td><td>± -</td></tr> <tr><td>3 PLC</td><td>± -</td></tr> <tr><td>4 PLC</td><td>± -</td></tr> <tr><td>ANGLES</td><td>± -</td></tr> </table>		0 PLC	± -	1 PLC	± -	2 PLC	± -	3 PLC	± -	4 PLC	± -	ANGLES	± -	PRODUCT SPEC 製品規格	SIZE A3	
0 PLC	± -															
1 PLC	± -															
2 PLC	± -															
3 PLC	± -															
4 PLC	± -															
ANGLES	± -															
MATERIAL 材料		APPLICATION SPEC 取付適用規格	CAGE CODE 00779	DRAWING NO 番号 174357												
FINISH 仕上		WEIGHT	RESTRICTED TO -													
CUSTOMER DRAWING			SCALE 尺度 4:1	SHEET 2 OF 2												
			REV C3													