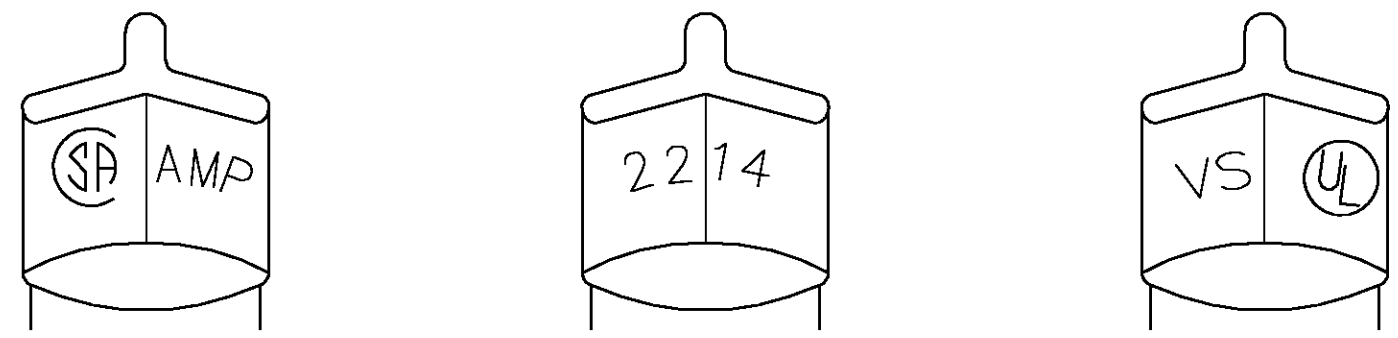


THIS DRAWING IS UNPUBLISHED. RELEASED FOR PUBLICATION  
 © COPYRIGHT BY TYCO ELECTRONICS CORPORATION. ALL RIGHTS RESERVED.

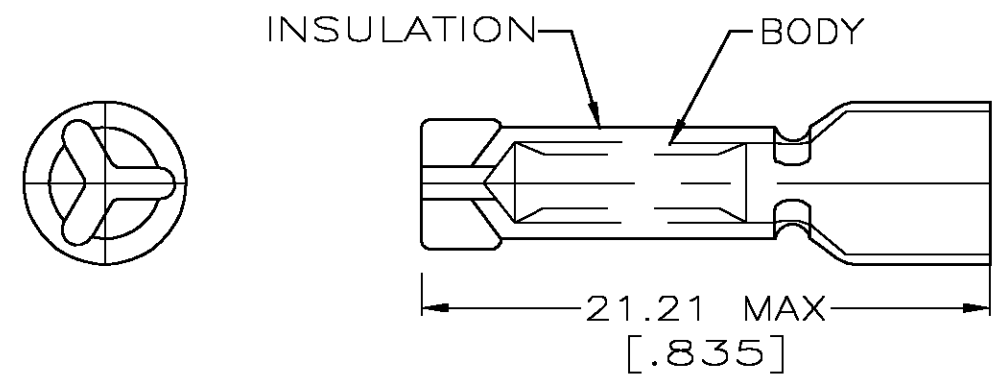
LOC	DIST	REVISIONS					
		P	LTR	DESCRIPTION	DATE	DWN	APVD
G	14		M	REV PER 0G3A-0256-04	13APR04	JR	TM

- 1 FOR 4.75 [.187] MAX WIRE INSULATION DIA
- △ 2 SUPERSEDED BY 36964
- △ 3 MATERIAL: BODY; COPPER PER ASTM B152  
INSULATION; PVC  
COLOR; PURPLE
- △ 4 FINISH: BODY; TIN PLATE PER ASTM B-545



STAMPING DETAIL

AMP WIRE RANGE	Listed	LR7189 Certified
22-14 AWG SOLID OR STRANDED	22-14 AWG SOLID OR STRANDED	22-14 AWG SOLID OR STRANDED



QTY	DESCRIPTION	PART NO
100	LOOSE PC,BOX	8-36964-1
20000	BOX	△ 2-36964-5
2500	TAPE MOUNTED	2-36964-2
-	LOOSE PIECE	36964

<b>AMP INCORPORATED CUSTOMER SERVICE SYSTEMS</b>		MAX RECOMMENDED OPERATING TEMPERATURE: <b>90° C MAX</b>	THIS DRAWING IS A CONTROLLED DOCUMENT.		DWN <b>G KRUPER</b> 1/93	Tyco Electronics Corporation Harrisburg, Pa 17105-3608				
FOR ADDITIONAL PRODUCT INFORMATION OR COPIES OF DRAWINGS AND TECHNICAL DOCUMENTS PRODUCT INFORMATION CENTER 1-800-522-6752	FOR APPLICATION TOOLING ASSISTANCE CENTER TOOLING INFORMATION 1-800-722-1111	VOLTAGE RATING: <b>300V MAX</b>	DIMENSIONS: INCHES	TOLERANCES UNLESS OTHERWISE SPECIFIED: 0 PLC ± - 1 PLC ± - 2 PLC ± 0.20[.008] 3 PLC ± - 4 PLC ± - ANGLES ± -	CHK <b>R HERSEY</b> 1/93	NAME <b>SPLICE, WIRE, CLOSED END</b>				
FOR ORDER ENTRY 1-800-526-5142	CIRCULAR MIL AREA: 0.26-2.62mm <sup>2</sup> [509-5180] SOLID OR STRANDED	MATERIAL - △ 3	FINISH - △ 4	APVD <b>M ELLIS</b> 1/93	PRODUCT SPEC -	APPLICATION SPEC -	SIZE <b>A3</b>	CAGE CODE <b>00779</b>	DRAWING NO <b>C-36964</b>	RESTRICTED TO -
THIS DRAWING IS A CONTROLLED DOCUMENT FOR AMP INCORPORATED. IT IS SUBJECT TO CHANGE AND THE CONTROLLING ENGINEERING ORGANIZATION SHOULD BE CONTACTED FOR THE LATEST REVISION.					WEIGHT -		CUSTOMER DRAWING	SCALE <b>4:1</b>	SHEET <b>1 OF 1</b>	REV <b>M</b>