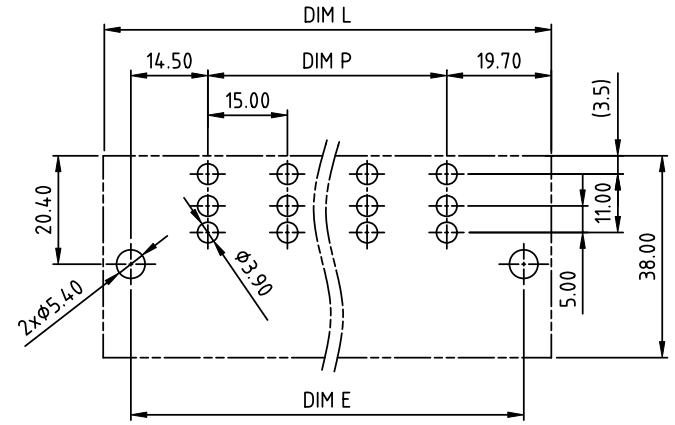
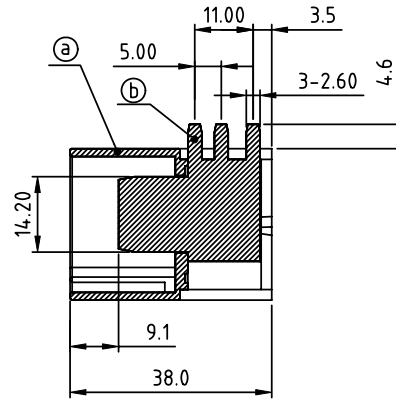
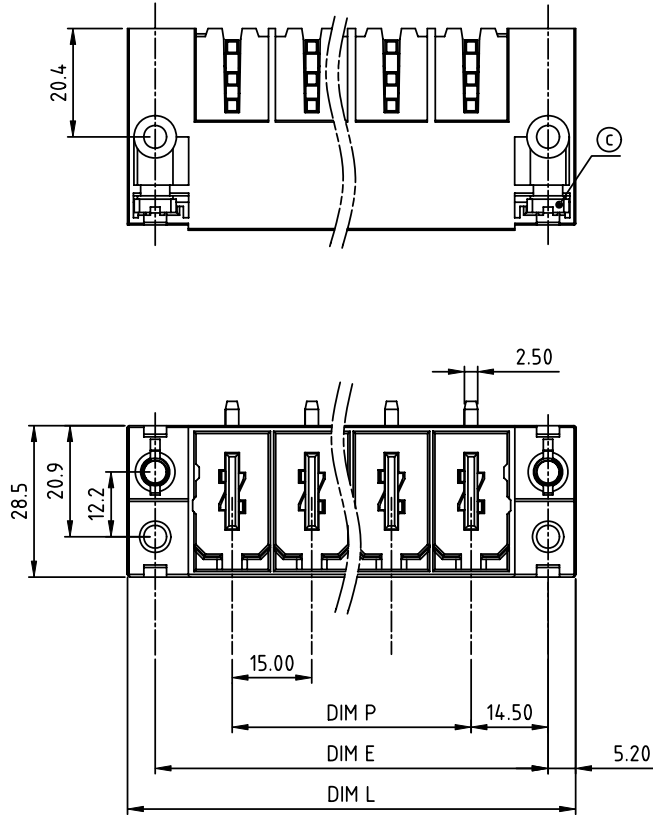


PRODUCT NUMBER	PITCH
KUxxC1x100J0G	15.00 mm



RECOMMENDED P.C.B LAYOUT
TOP VIEW

Material:

- Item (a) Terminal housing: Thermoplastic (UL94V-0)
- Item (b) Male contact: Copper. Gold plated.
- Item (c) With flange nut: Steel M5.0 zinc plated.

Electrical:

- Voltage rating: 600 V
- Current rating: 115 A
- Withstanding Voltage: 2.2 KV
- Operating temperature: -40°C to +115°C
- Soldering temperature: 260°C±5°C/5 Sec
- Safety Approval: cULus

PART NO.: KU xx C 1 x 1 00J0 G

Dim L=N×15.00+24.4
Dim P=(N-1)×15.00
Dim E=(N-1)×15.00+29.0

N=Number of poles

Poles	Tolerance
2p-4p	±0.20
5p-7p	±0.35
8p-10p	±0.50

Solid block	No. of poles	Color	RoHS compliant (lead<4% in copper Alloy)
0	2	Black (RAL9005)	
02	2 poles	Red (RAL3001/D)	
03	3 poles	Orange (RAL2011/P)	
...	...	Yellow (RAL1018/A)	
...	...	Green (RAL6018/T)	
10	10 poles	Blue (RAL5015/A)	
		8 Grey (RAL7035/D)	
		9 White (RAL1102)	
		C Green (RAL6018/U)	

mat'l. code	surface ASME Y14.5	tolerance ASME Y14.5	projection	product family
ltr	ecn	no	dr	date
tolerances unless otherwise specified				TERMINAL BLOCK
angles	Ø	X.±0.5	MM	title
±1°	±	X.X±0.3	scale	TERMINAL BLOCK
		X.XX±0.1		PLUGGABLE SOCKET, RIGHT ANGLE, WITH FLANGE
dr	EVIN	ZHONG	050814	dwg no
enr	EVIN	ZHONG	050814	sheet 1 of 1
chr	HANKE	FENG	050814	size
appd	SHI	JUN	050814	KUxxC1x100J0G
sheet index	revision	A		A4
	sheet	1		type
				CUSTOMER Drawing