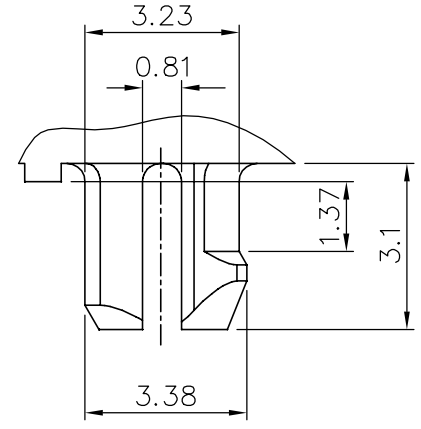
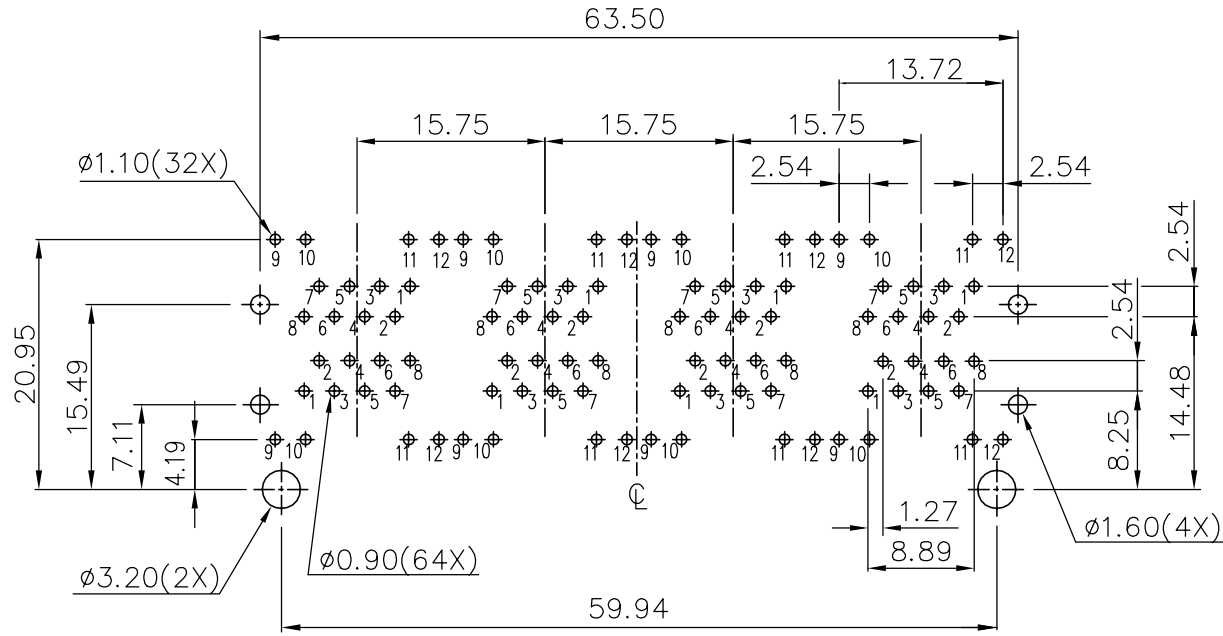
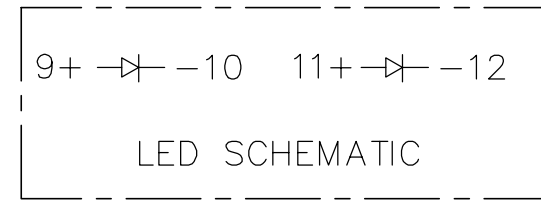


mat'l. code		surface ASME Y14.5 ✓		tolerance ASME Y14.5		projection		product family	
ltr ecn no dr date		angles		tolerances unless otherwise specified		MM [INCH]		GANGED MJACK	
A		WL	11/04/11	X.X±0.25	X.XX±0.13	scale		title	
				X'±1"	X.XXX±0.05			CAT 3 MULTIPORT STACKED	
				dr WENDY CHEN	05/11/11			2x4 WITH SHIELD, W/LED	
				enr WENDY CHEN	05/11/11			dwg no	
				chr WENDY CHEN	05/11/11			sheet 1 of 3 size	
				appd GARY HSIEH	05/11/11			10118077 A4	
sheet index		revision sheet		A A A		FCI		type	
		1 2 3						CUSTOMER Drawing	



RECOMMENDED PCB LAYOUT
 RECOMMENDED PCB THICKNESS: 1.6mm
 TOLERANCE: ±0.05 (TOP VIEW)



mat'l. code		surface ASME Y14.5		tolerance ASME Y14.5		projection MM [INCH]		product family GANGED MJACK	
ltr	ecn no	dr	date	tolerances unless otherwise specified		scale		title CAT 3 MULTIPOINT STACKED 2x4 WITH SHIELD, W/LED	
A				angles	X.X±0.25			dwg no 10118077	
				fil	X.XX±0.13			sheet 2 of 3 size A4	
				X*±1*	X.XXX±0.05			type CUSTOMER Drawing	
				dr	WENDY CHEN	05/11/11	FCI		
				enr	WENDY CHEN	05/11/11			
				chr	WENDY CHEN	05/11/11			
				appd	GARY HSIEH	05/11/11			
sheet index	revision sheet								

NOTE:

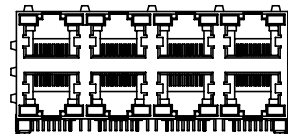
1. MATERIAL:
TOP HOUSING: HIGH TEMPERATURE THERMOPLASTIC, UL94V-0, COLOR: BLACK.
BOTTOM HOUSING: HIGH TEMPERATURE THERMOPLASTIC, UL94V-0, COLOR: BLACK.
CONTACTS: COPPER ALLOY.
SHIELD: COPPER ALLOY.
LED SOLDER TAIL: STEEL.
2. FINISH:
CONTACTS: 50u" MIN. NICKEL UNDER PLATED OVER ALL.
SELECTIVE GOLD PLATED ON CONTACT AREA,
1u" GOLD PLATED ON SOLDER TAIL.
LED SOLDER TAIL: 100u" MIN. BRIGHT TIN OVER
50u" NICKEL UNDER PLATED.
SHIELD: 20u" MIN. NICKEL OVER ALL.
3. LASER MARK FCI LOGO ON THE TOP OF SHIELD.
4. "DATE CODE" DESCRIPTION:
XX XX
WEEK
YEAR (EX. : 10--2010)
5. PRODUCT PERFORMANCE PER SPEC. : GS-12-0990.
6. PACKING SPEC. : GS-14-2170.
7. THIS PRODUCT MEETS THE EUROPEAN UNION DIRECTIVE AS DESCRIBED IN GS-22-008.
8. THE HOUSING WILL WITHSTAND EXPOSURE TO 260°C PEAK TEMPERATURE FOR 5 SECONDS IN A WAVE SOLDER APPLICATION WITH A CIRCUIT BOARD.

9. PART NUMBER DESCRIPTION:

- 10118077-X X X X X X X LF
- LEAD FREE
 - 0 : RESERVED (NOT USED)
 - PACKAGING
1 : TRAY
 - OPTIONAL BACK SHIELD TAB
0 : WITHOUT BACK SHIELD TAB
 - OPTIONAL RIGHT / LEFT SHIELD TAB
B : SHIELD TAB WITHOUT INNER SHIELD
 - OPTIONAL PANEL GROUND
0 : WITHOUT PANEL GROUND
3 : TOP/RIGHT/LEFT 3 SIDES WITH PANEL GROUND
 - LED COLOR
1 : LED1: GREEN / LED2: YELLOW
2 : LED1: YELLOW / LED2: GREEN
3 : LED1: GREEN / LED2: GREEN
 - CONTACT AREA PLATING
1 : 15u" GOLD PLATING
2 : 30u" GOLD PLATING
5 : 1u" GOLD FLASH PLATING



10118077-XX0XXXXLF
(WITHOUT PANEL GROUND)



10118077-XX3XXXXLF
(3 SIDES PANEL GROUND)

mat'l. code		surface ASME Y14.5	tolerance ASME Y14.5	projection MM [INCH]	product family GANGED MJACK
ltr	ecn no	dr	date	tolerances unless otherwise specified	title CAT 3 MULTIPORT STACKED 2x4 WITH SHIELD, W/LED
A				angles X.X±0.25 X.XX±0.13 X*±1*	scale
				dr WENDY CHEN 05/11/11	dwg no 10118077 sheet 3 of 3 size A4
				enr WENDY CHEN 05/11/11	type CUSTOMER Drawing
				chr WENDY CHEN 05/11/11	
				appd GARY HSIEH 05/11/11	
sheet index	revision sheet				