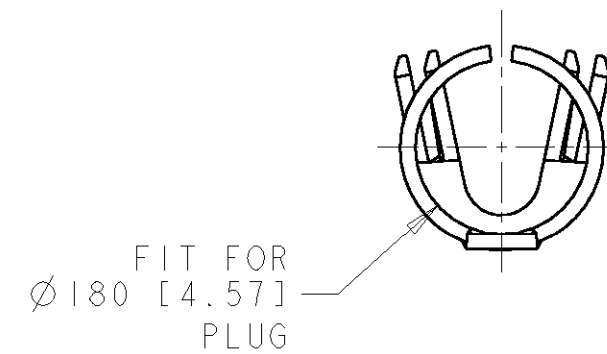
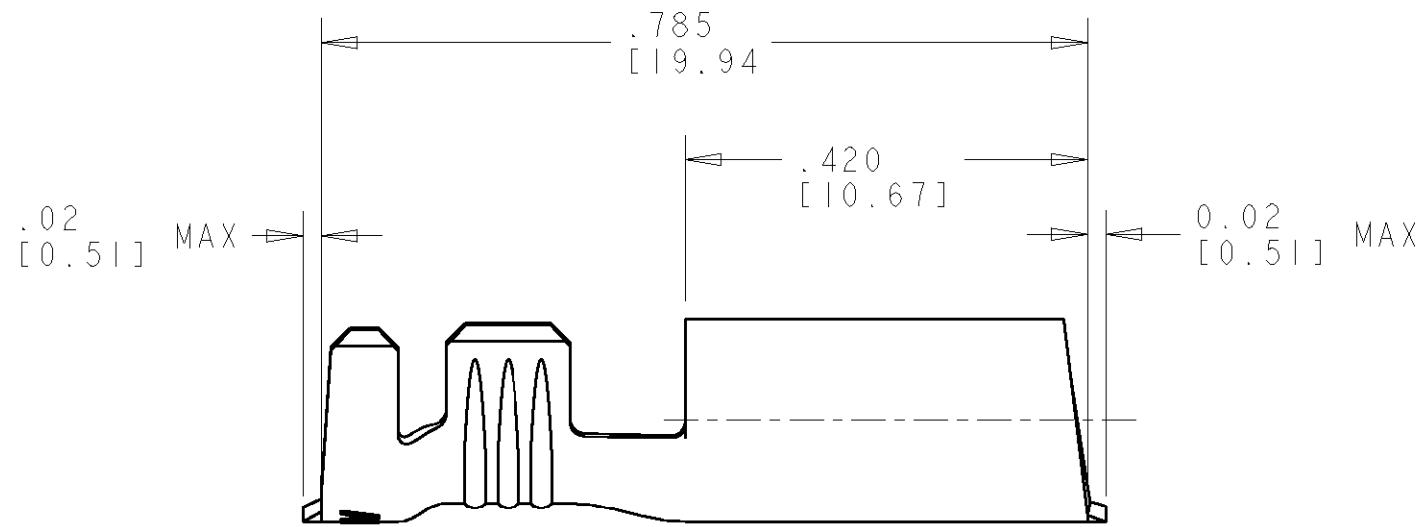
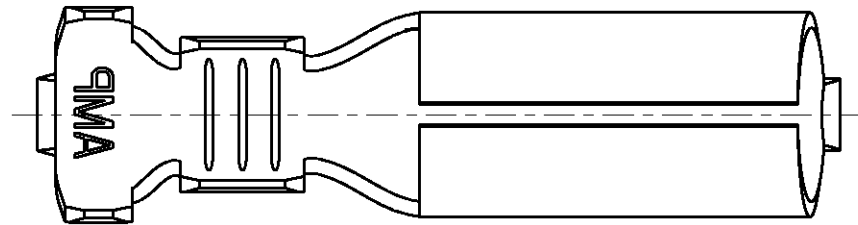
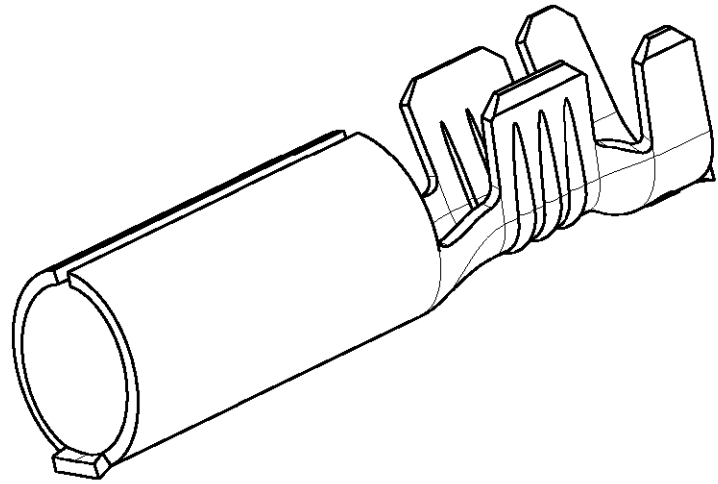


THIS DRAWING IS UNPUBLISHED. RELEASED FOR PUBLICATION 09-Aug-01
 © COPYRIGHT 2001 BY TYCO ELECTRONICS CORPORATION. ALL RIGHTS RESERVED.

LOC	DIST	REVISIONS					
E	B	P	LTR	DESCRIPTION	DATE	DWN	APVD
			G	EB00-0306-01	09AUG2001	AJB	-



1. WIRE CRIMP TO SUIT 16 - 12 AWG
 INSULATION CRIMP TO SUIT DIA .120-.170 [3.04 - 4.32]
 2 150557-5 FOR TYCO BRAZIL ONLY.

FINISH	MATERIAL	PART NUMBER
	PHOSPHOR BRONZE TEMPER 4	150557-5 2
	RED BRASS, TEMPER 6	150557-4
	PHOSPHOR BRONZE, TEMPER 2	150557-3
	PHOSPHOR BRONZE, TEMPER 4	150557-0

THIS DRAWING IS A CONTROLLED DOCUMENT FOR TYCO ELECTRONICS CORPORATION
 IT IS SUBJECT TO CHANGE AND THE CONTROLLING ENGINEERING ORGANIZATION
 SHOULD BE CONTACTED FOR THE LATEST REVISION.

DIMENSIONS:	TOLERANCES UNLESS OTHERWISE SPECIFIED:
INCH [mm]	LINEAR ±0.5
	0 PLC ±0.1
	1 PLC ±0.1
	2 PLC ±0.05
	3 PLC ±
	4 PLC ±
	ANGLES ±0.5
MATERIAL	FINISH -

DWN	09AUG2001
CHK	A.J. BEKEN
APVD	09AUG2001
PRODUCT SPEC	-
APPLICATION SPEC	-
WEIGHT	-
CUSTOMER DRAWING	

Tyco Electronics UK Ltd, Stanmore, Middlesex, HA7 4RS.	
NAME SHUR PLUG RECEPTACLE .180 [4.57] DIA	
SIZE A3	CAGE CODE 00779
DRAWING NO C-150557	RESTRICTED TO -
SCALE 5:1	SHEET 1 OF 1
REV G	