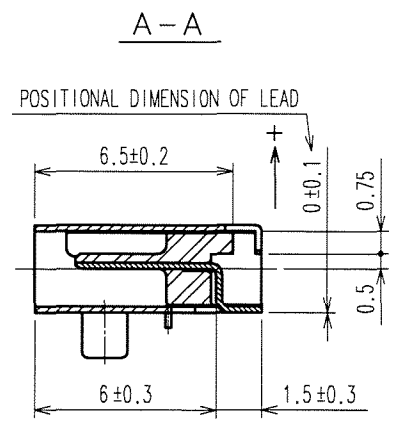
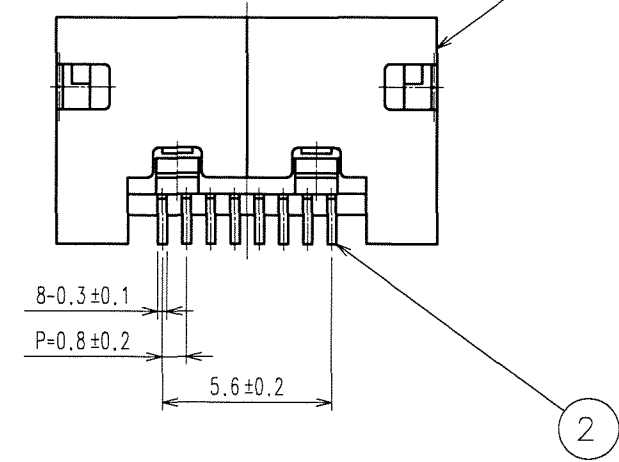
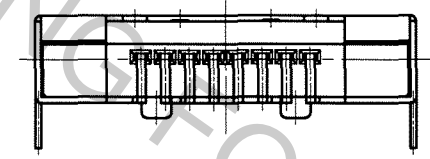
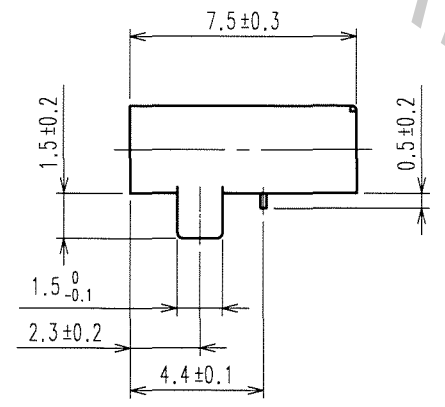
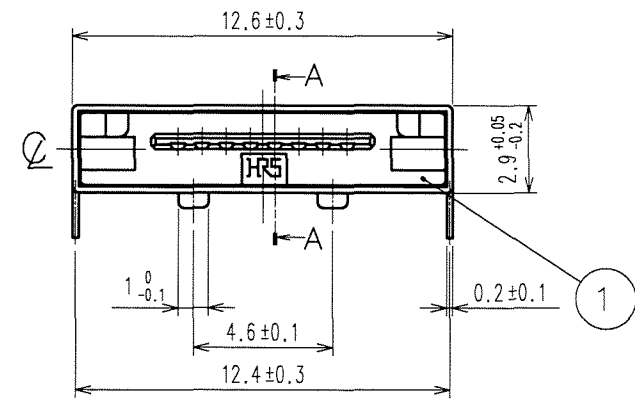
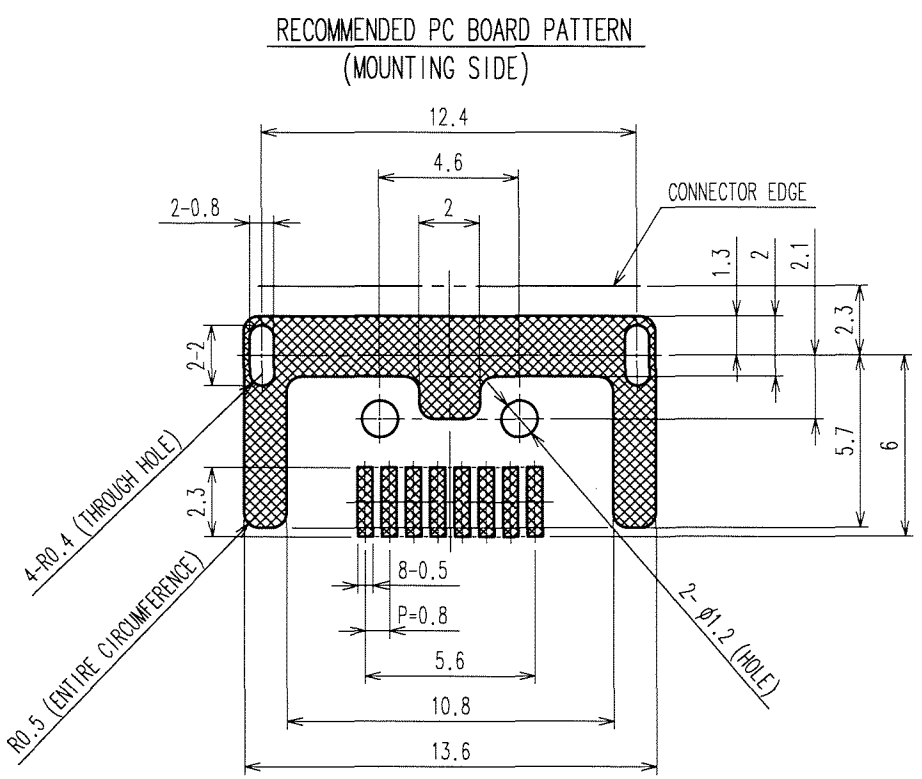
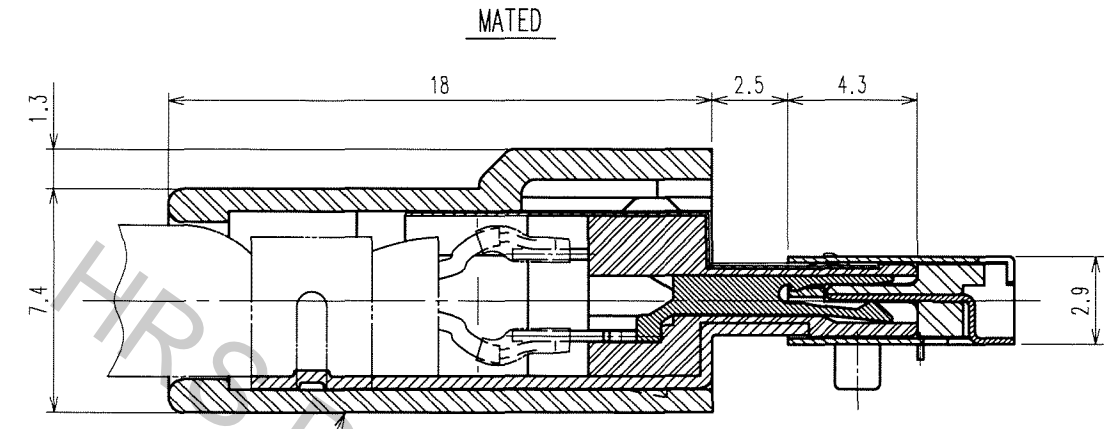
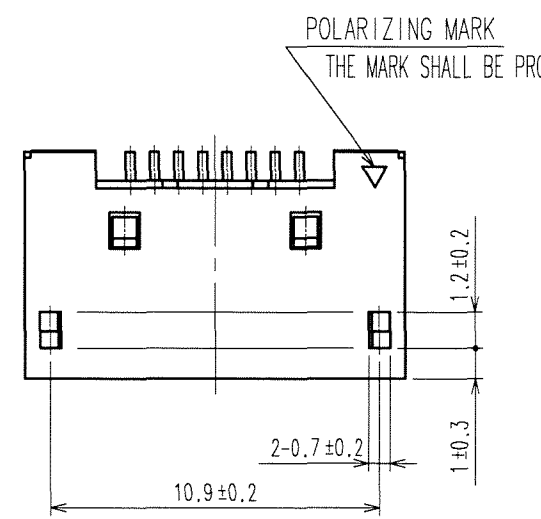


Apr.1.2017 Copyright 2017 HIROSE ELECTRIC CO., LTD. All Rights Reserved.

COUNT	DESCRIPTION OF REVISIONS	BY	CHKD	DATE	COUNT	DESCRIPTION OF REVISIONS	BY	CHKD	DATE



NOTES
 1. LEAD CO-PLANARITY TO BE 0.1 MAX.
 2. ALL DIMENSIONS WITHOUT TOLERANCE ARE DIMENSIONS FOR REFERENCE.

3	STAINLESS STEEL	SELECTIVE AREA : GOLD 0.03μ m MIN. UNDER PLATING : NICKEL 0.2μ m MIN.
2	PHOSPHOR BRONZE	CONTACT AREA : GOLD 0.2μ m MIN. LEAD AREA : GOLD 0.03μ m MIN. UNDER PLATING : NICKEL 2μ m MIN.

NO.	MATERIAL	FINISH, REMARKS	NO.	MATERIAL	FINISH, REMARKS
1	PPS	UL94V-0 (BLACK)			

CODE NO. (OLD)	DRAWN	DESIGNED	CHECKED	APPROVED	RELEASED
	<i>T. Ando</i>	<i>T. Ando</i>	<i>M. Miyazaki</i>	<i>[Signature]</i>	
	'06.05.10	'06.05.10	'06.05.10	'06.5.10	

SCALE 4 : 1	DRAWING NO. EDC3-046586-02	PART NO. 3260-8S3(55)
UNITS mm	HRS HIROSE ELECTRIC CO., LTD	CODE NO. CL232-0010-5-55

TO