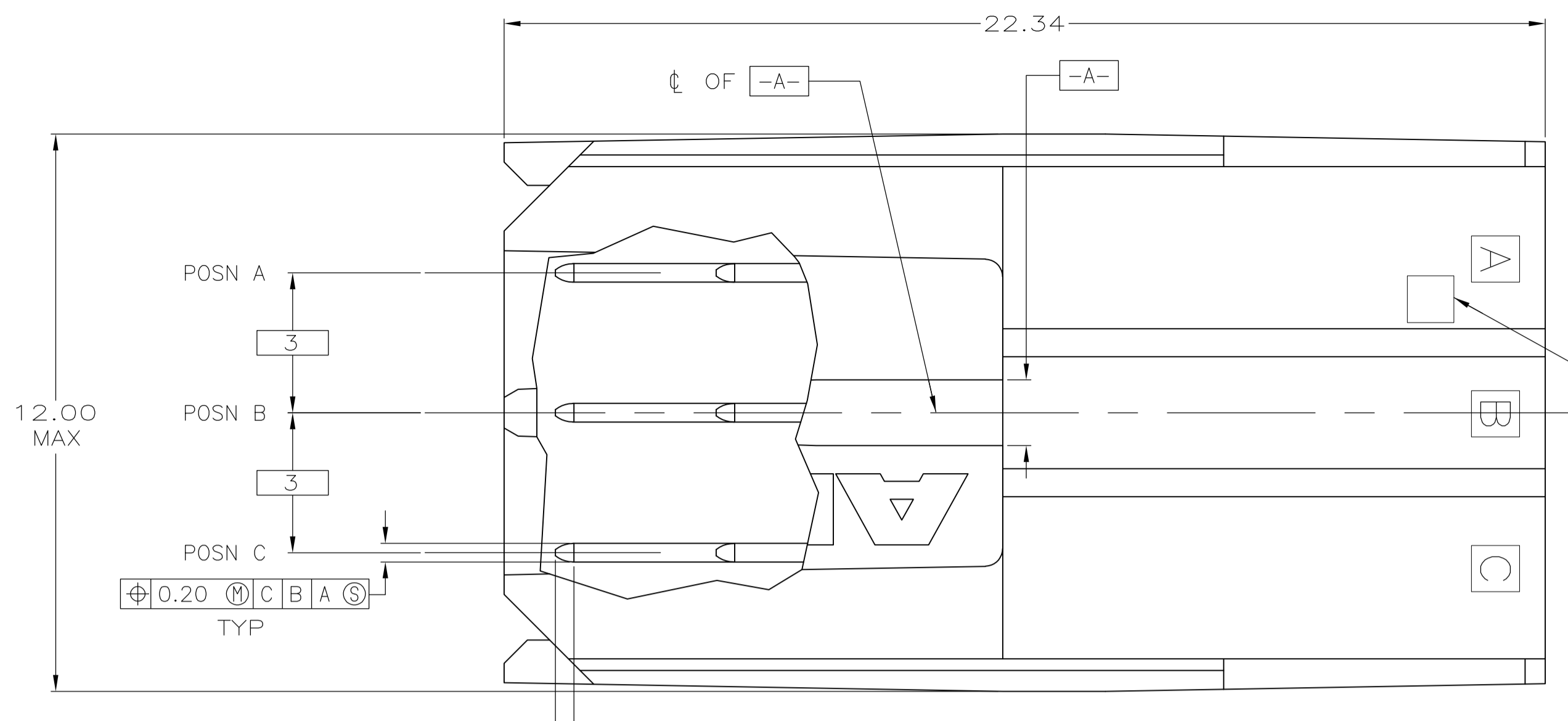
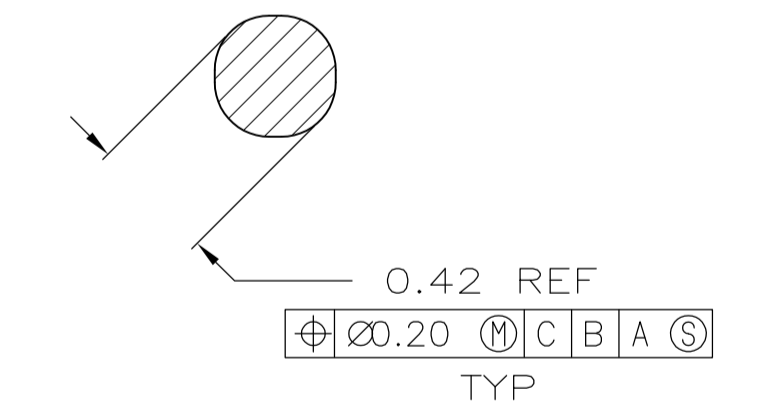
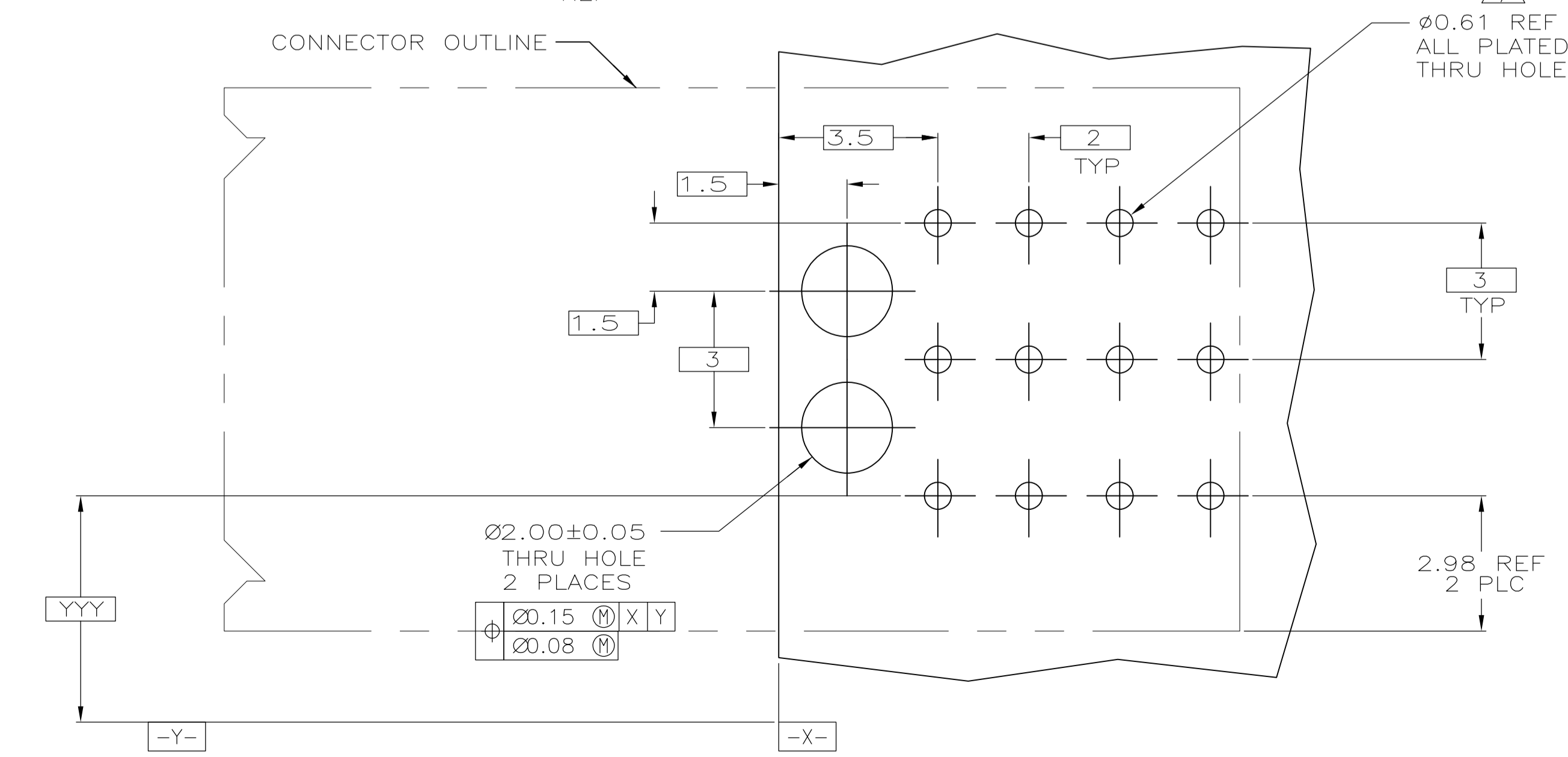
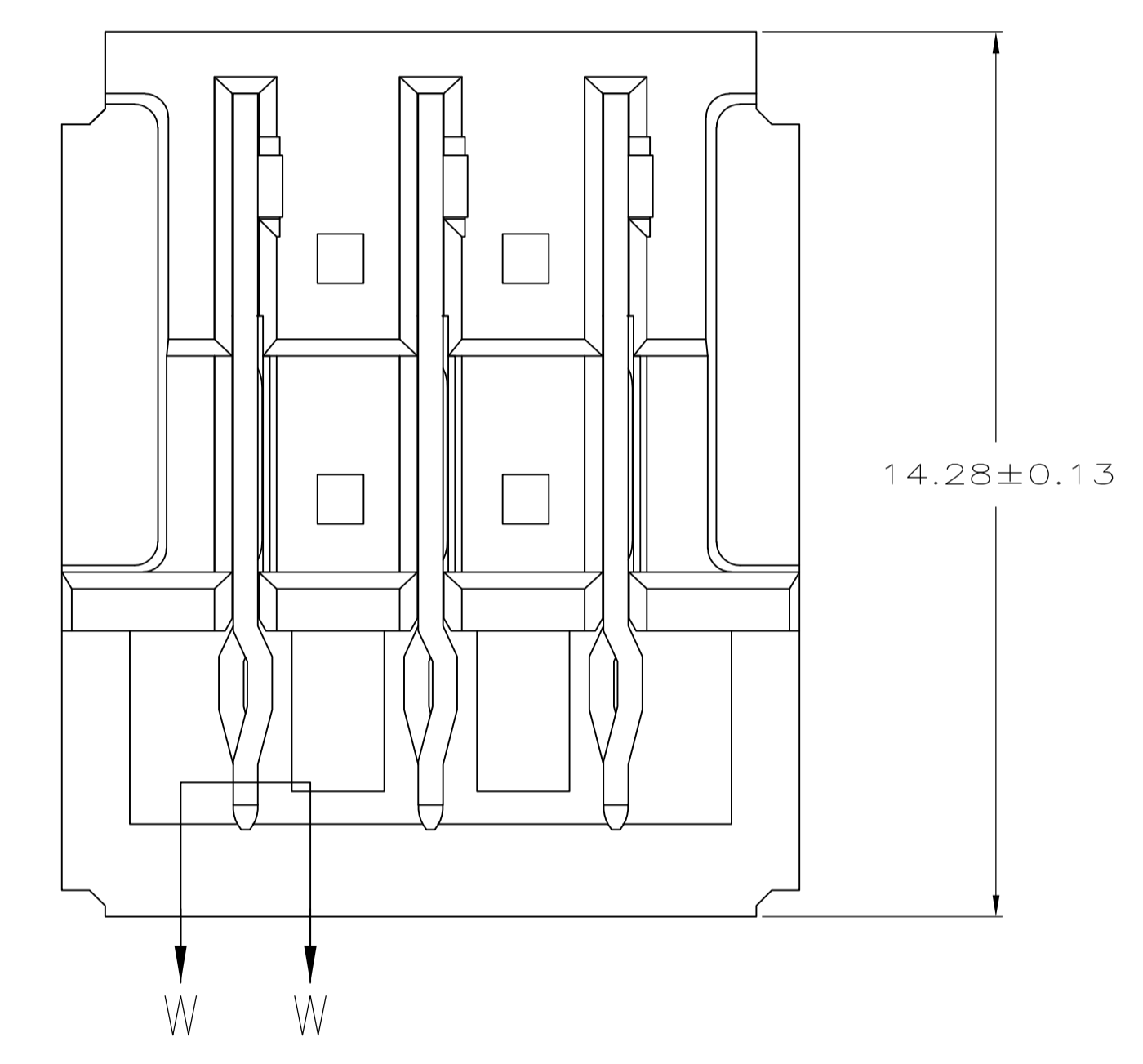
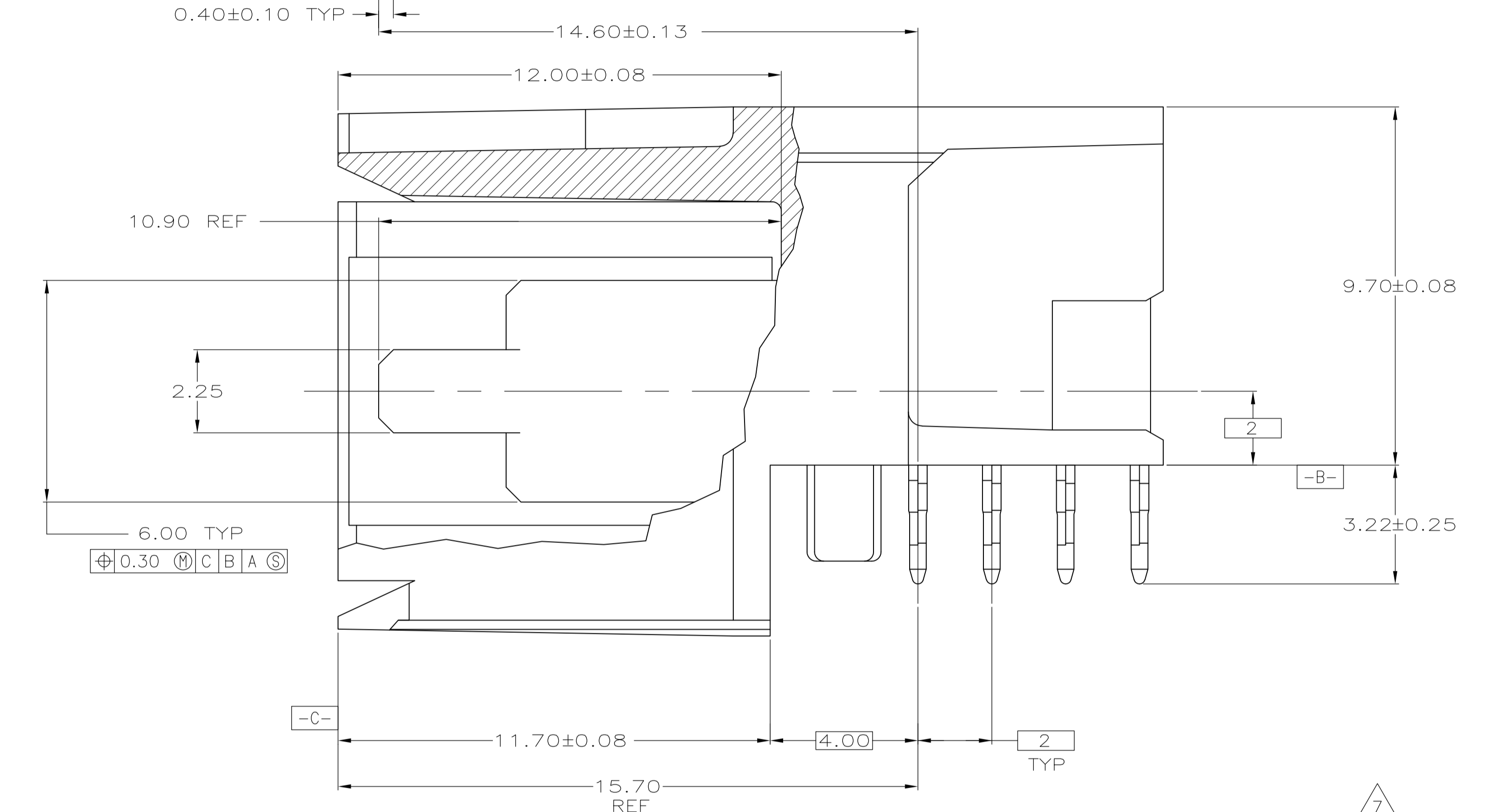
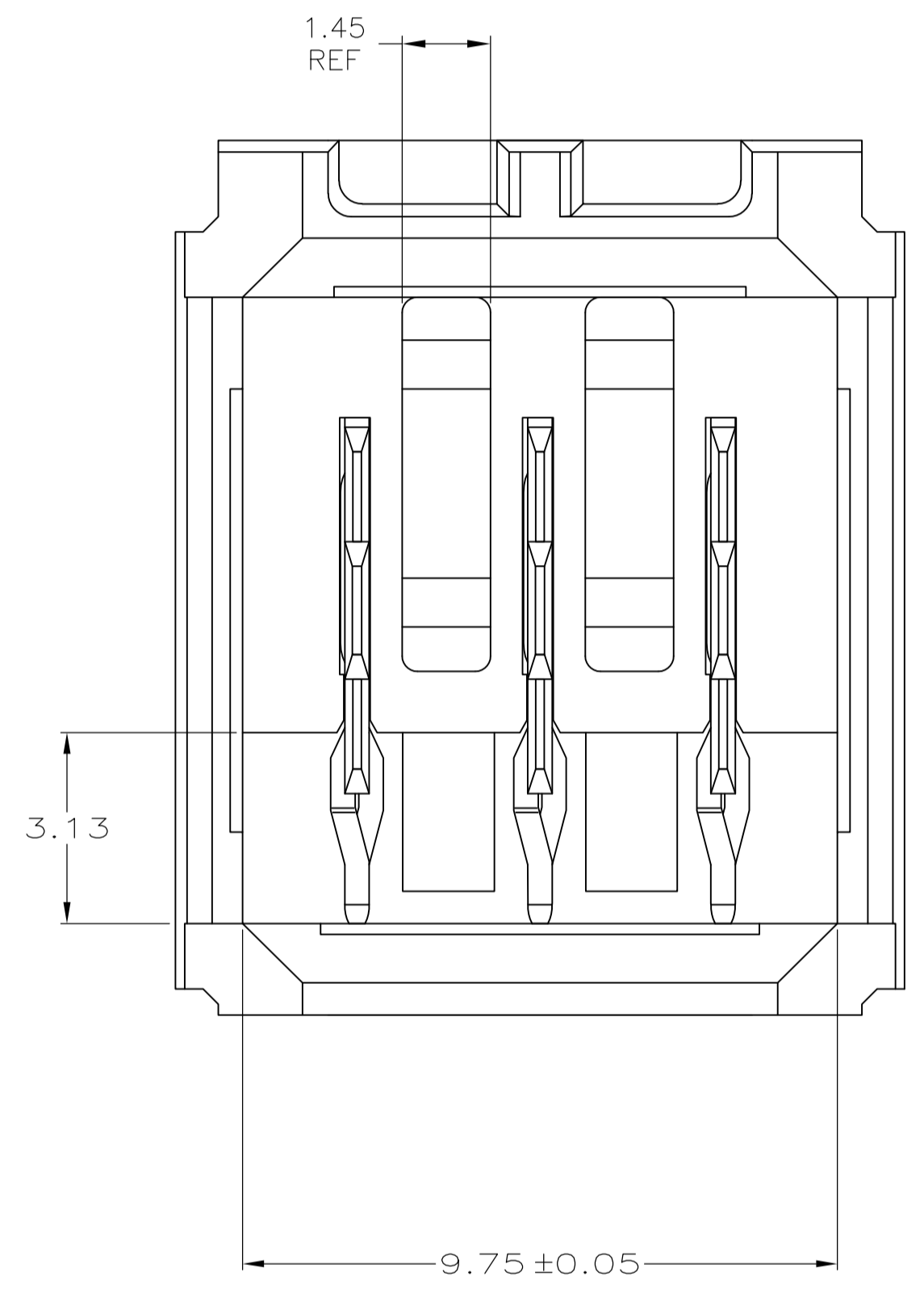


REVISONS		DATE	DWN	APVD
REV	DESCRIPTION			
C	REVISED PER ECO-11-015883	10OCT11	KH	DY



- 1 MATERIAL: HOUSING: POLYESTER. COLOR: GRAY. 94V-0  
CONTACT: PHOSPHOR BRONZE.
- 2 FINISH: CONTACT MATING AREA: 1.27µm MIN GOLD OR 0.08µm MIN GOLD OVER  
0.76µm MIN PALLADIUM-NICKEL  
ACTION PIN AREA: 0.5µm MIN TIN PLATE,  
ALL OVER 1.27µm MIN NICKEL UNDERPLATE.
- 3 FINISH: CONTACT LUBRICATION WITH BELLCORE APPROVED LUBRICANT,  
TECHNICAL REFERENCE: TR-NWT-001217, ISSUE 1, SEPTEMBER 1992.
- 4 MATERIAL: HOUSING: LCP; COLOR: RED. 94V-0  
CONTACT: PHOSPHOR BRONZE.
- 5 NUMBER "3" MARKED IN THIS AREA.
- 6 MATERIAL: HOUSING: POLYESTER. COLOR: GRAY. 94V-0  
CONTACT: HIGH CURRENT COPPER ALLOY.
- 7 REFERENCE APPLICATION SPEC 114-1103 FOR  
RECOMMENDED PLATED THRU HOLE DIAMETER AND  
PLATING THICKNESS.
- 8 CURRENT RATING 10A/CONTACT FOR PHOS BRONZE CONTACTS  
AND 16A/CONTACT FOR HIGH CURRENT COPPER ALLOY CONTACTS  
PER PRODUCT SPEC 108-1651.



SECTION W-W  
SCALE 40:1

2 3 6	5-5223961-1
1 2 3 5	5223961-8
1 2 3	5223961-1
MATERIAL/FINISH	PART NUMBER

THIS DRAWING IS A CONTROLLED DOCUMENT.

DIMENSIONS: mm	TOLERANCES UNLESS OTHERWISE SPECIFIED:	DIN B CARDO 10DEC04	10DEC04
0 PLC ± -	1 PLC ± -	DRW R PATTERSON	10DEC04
2 PLC ± 0.13	3 PLC ± -	APPD R PATTERSON	10DEC04
4 PLC ± -	ANGLES ± -	NAME	
MATERIAL SEE TABLE	FINISH SEE TABLE	SIZE	CAGE CODE DRAWING NO
		A1	00779 C=5223961
		WEIGHT	RESTRICTED TO
		CUSTOMER DRAWING	SCALE 10:1 SHEET 1 OF 1 REV C

ASSEMBLY, RIGHT ANGLE HEADER, W/ RETENTION PEGS, UNIVERSAL POWER MODULE

STE TE Connectivity

RECOMMENDED PCB HOLE LAYOUT